



XRLED-A673/A675



POST-TOP LED CONVERSION KIT FOR A673/A675 YALE PRISMATIC ACORN

The versatile XRLED-A673/A675 conversion kit transforms existing Sternberg A673/A675 acorns into energy-efficient luminaires at significantly reduced maintenance costs. The wide variety of lumen and distribution options makes this the industry's obvious choice when converting from conventional lamp sources to energy-efficient lighting; made by Sternberg Lighting for Sternberg Lighting.

PROJECT: _____

TYPE: _____

HOW TO ORDER: XRLED-A673-12L45T4-MDL21

SERIES	LEDS	CCT - COLOR TEMPERATURE (K)	DISTRIBUTION TYPE	DRIVER	OPTIONAL DRIVER HOUSING
XRLED-A673 ¹	9L	27(00) K	T5 ²	MDL07	682
XRLED-A675 ¹	12L	35(00) K		MDL14	682M
		45(00) K		MDL21	
				MDH07	
				MDH14	

¹ Existing Sternberg fixture type ² Distribution type created with prismatic acorn.

Features & Specifications

Optical

- Utilizes high output, high brightness LEDs.
- Operates at -40°C (-40°F) to +50°C (122°F) ambient air temperature range.
- Minimum CRI of 70, CCT 2700, 3500, and 4500K.
- LM-79 and LM-80 tests in accordance with IESNA standards.
- Lumen depreciation rated 50,000 hrs.
- RoHS Compliant.

Electrical

- 120-277 volt standard 347-480 volt option.
- Minimum drivers power factor: >0.9.
- Electrical surge protection in accordance with IEEE/ANSI C62.41.2 guidelines (10KA).
- UL listed in U.S. and Canada.

Mechanical

- Anodized aluminum heatsink.
- Rugged cast aluminum fitter cap.
- Designed for Sternberg 5P, 5T, 508 and 900 fitters. Consult factory for limitations and other fitters.

Controls

- Supplied with dimmable driver (0-10 volts).

Warranty & Standards

LED Systems and Drivers - 5 years. All fixtures shall be free from all defects in materials and workmanship for a period of 5 years from the date of manufacture. The luminaire manufacturer shall warrant the LED boards/ system, during the stated warranty period, against failure defined as more than 10 percent of non-operating LEDs.

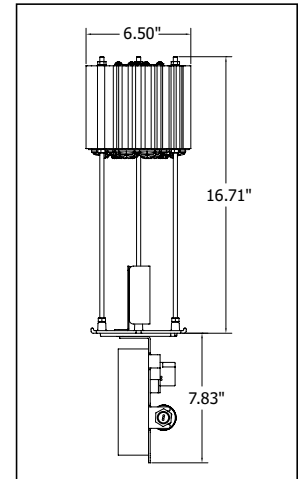
Drivers (0-10V dimming):

- MDL07:** 700mA, 120-277V³
- MDL14:** 1400mA, 120-277V
- MDL21:** 2100mA, 120-277V⁴
- MDH07:** 700mA, 347-480V³
- MDH14:** 1400mA, 347-480V

³ For use with 9L system only.
⁴ For use with 12L system only.

Optional Driver Housing:

682: Driver housing required for fitters manufactured between 1985 and 2004.



Performance

LIGHT SOURCE	T2 DELIVERED LUMENS	EFFICACY (LPW)	T3 DELIVERED LUMENS	EFFICACY (LPW)	T4 DELIVERED LUMENS	EFFICACY (LPW)	T5 DELIVERED LUMENS	EFFICACY (LPW)	WATTAGE
12L27T_-MDL21	3840	40.0	3540	36.9	3280	34.2	3560	37.1	96
12L35T_-MDL21	4610	48.0	4250	44.3	3935	41.0	4270	44.5	96
12L45T_-MDL21	4995	52.0	4605	48.0	4260	44.4	4625	48.2	96
12L27T_-MDL14	2895	49.1	2660	45.1	2450	41.5	2655	45.0	59
12L35T_-MDL14	3475	58.9	3190	54.1	2940	49.8	3185	54.0	59
12L45T_-MDL14	3765	63.8	3455	58.6	3185	54.0	3450	58.5	59
09L27T_-MDL14	2160	49.1	2010	45.7	1950	44.3	1945	44.2	44
09L35T_-MDL14	2590	58.9	2410	54.8	2340	53.2	2335	53.1	44
09L45T_-MDL14	2805	63.8	2610	59.3	2535	57.6	2530	57.5	44
09L27T_-MDL07	1240	59.0	1140	54.3	1090	51.9	1135	54.0	21
09L35T_-MDL07	1485	70.7	1370	65.2	1310	62.4	1365	65.0	21
09L45T_-MDL07	1610	76.7	1485	70.7	1420	67.6	1475	70.2	21