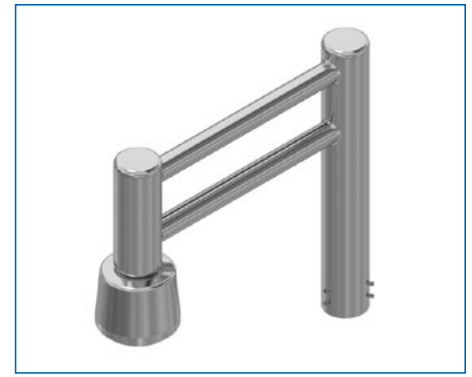


# SOLANA® U03 ARM

The slender twin member design of the Solana U03 arm blends perfectly with the look of the Solana SL635 and SL735 luminaire and allows for sheet metal inserts as an option. Its aluminum cast construction is designed to be strong yet elegant. The twin arm design carries the balanced appearance over the top of the pole to perfectly level two luminaires.

The Solana U03 arms fit a P4 or P5 pole top tenon and secured mechanically by way of stainless steel set screws. The luminaire driver(s) are suspended within the arms vertical tube and are accessed through a service door in the side.



## ORDERING EXAMPLE: 1-U03-7-PT-5 / UGMT

BUILD A PART NUMBER									
NO. OF ARMS	URBAN (U) LINE ARM	ARM STYLE	FIXTURE	MOUNTING STYLE	POLE DIAMETER	OPTION	COLOR		
1	U	03	6	PT	P4	P	UGMT	UGM	
2*			7		P5		UBT	UB	
								ULBT	ULB
								USLT	USL
								UWHT	UWH
								BKT	
								UCHS	

\*140L fixture requires 5" pole diameter

## Product Specs

### Arm Style

03 = Urbanline U03 arm

### Fixture

6 = SL635

7 = SL735

### Mounting Style

PT = Post top

### Pole Diameter/Tenon Size

P4 = 4" pole = 3-1/2" dia. x 3-1/2" high

P5 = 5" pole = 4-1/2" dia. x 3-1/2" high

### Luminaire Warranty

Five-year limited warranty. See product warranty guide for details.

### Finish Warranty

Refer to website for finish warranty details.

### Option:

P = Custom Accent Panel. Consult factory

### Colors:

UGMT - Urban Gun Metal Textured

UBT - Urban Bronze Textured

ULBT - Urban Light Bronze Textured

USLT - Urban Silver Textured

UWHT - Urban White Textured

BKT - Black Textured

UCHS - Urban Champagne Satin Smooth

UGM - Urban Fun Metal Matte

UB - Urban Bronze Matte

ULB - Urban Light Bronze Matte

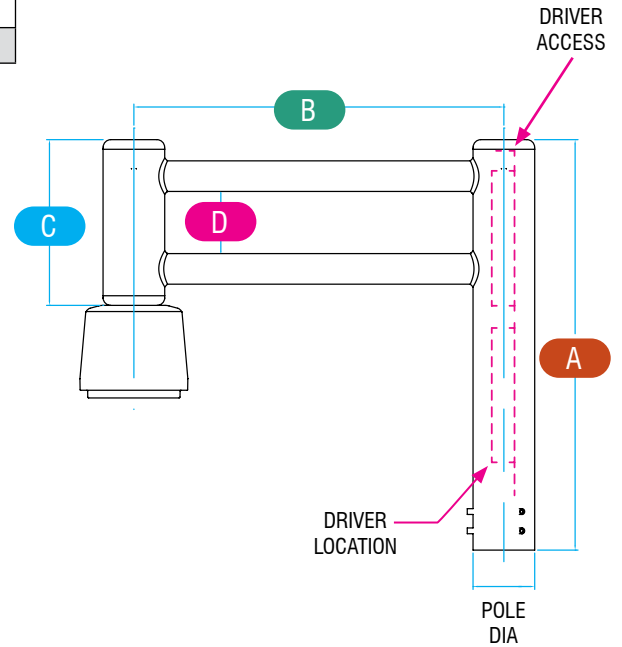
USL - Urban Silver Matte

UWH - Urban White Matte

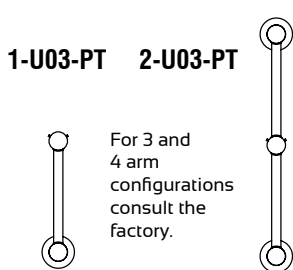
### Driver

Fixture drivers are located in the center column. Driver access through a removable pole cap.

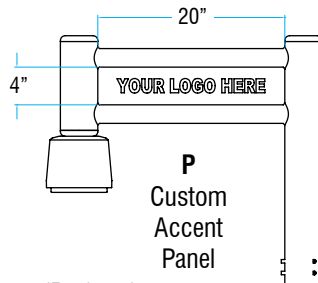
DIMENSIONS					
FIXTURE	POLE DIA.	DIMENSION "A"	DIMENSION "B"	DIMENSION "C"	DIMENSION "D"
6	4	26-1/2"	24"	9-1/4"	2"
6	5	26-1/2"	24-1/2"	9-1/4"	2"
7	4	26-1/2"	24"	11"	4"
7	5	26-1/2"	24-1/2"	11"	4"



## Mounting Configurations



## Option



\*7 series only

## EPA and Weight

ARM	EPA		WEIGHT (LBS)	
	4"	5"	4"	5"
1-U03	.93	1.02	15.5	17
2-U03	1.5	1.59	24.5	26