



SL735 SOLANA SERIES



EPA
.7 (ft²)
WEIGHT
38 LBS

7 YEAR
WARRANTY

LUMEN
RANGE
9,420 to
21,720

LIFE SPAN
L70
MINIMUM
100,000
HOURS

UL
LISTED

CLICK
FOR FAQ'S

IP RATING

JOB NAME _____

FIXTURE TYPE _____

MEMO _____

BUILD A PART NUMBER

ORDERING EXAMPLE: **1A-U02-SL735-24L40T3-MDL018-FG-FHD-BLOC/RSA206500-P5-SL900-5/UGMT**

Mounting Config.	Fixture	LED	CCT	Type	Driver	Lens	Optional Control Receptacle	Option Control	Option Motion Sensor	Option Fuse	Option House Side Shield	Pole <small>See Pole Spec Sheets</small>	Finish

Mounting Configuration¹

- 1-U01S
- 1-U01
- 2-U01
- 1-U02
- 2-U02
- 1-U03
- 2-U03
- 1-U04
- 2-U04

¹ See arm spec sheets for more information.

Fixture

- SL735

LED

- 40L
- 32L
- 24L

CCT - Color Temperature (K)

- 27(00)
- 30(00)
- 40(00)
- 50(00)

Distribution Type

- T2
- T3
- T4
- T5

Driver

- MDL018² (120V-277V, 180mA)
- MDH018² (347V-480V, 180mA)
- MDL016³ (120V-277V, 160mA)
- MDH016³ (347V-480V, 160mA)
- MDL014² (120V-277V, 140mA)
- MDH014² (347V-480V, 140mA)

² 32L or 24L system only.

³ 40L system only.

Lens

- CA (Clear Acrylic)
- FG (Flat Glass)
- SA (Sag Acrylic)
- FFG (Frosted Flat Glass)
- SV1 (Flat Soft Vue Light Diffused Acrylic)
- SV2 (Flat Soft Vue Moderate Diffused Acrylic)
- SV4 (Flat Soft Vue Maximum Diffused Acrylic)
- SVISA (Soft Vue Light Diffused Sag Acrylic)
- SV2SA (Soft Vue Moderate Diffused Sag Acrylic)
- SV4SA (Soft Vue Maximum Diffused Sag Acrylic)

Options [\(Click here to view accessories sheet\)](#)

- R 3-Pin control receptacle only
- R5 5-Pin control receptacle only
- R7 7-Pin control receptacle only
- PE⁴ Twist-Lock Photocontrol (120V-277V)
- PE³ Twist-Lock Photocontrol (347V)

- PE⁴ Twist-Lock Photocontrol (480V)
- SC⁴ Shorting Cap
- PEC Electronic Button Photocontrol (120V-277V)
- PEC⁴ Electronic Button Photocontrol (480V)
- MOT⁵ 360° lens, maximum coverage 40' diameter from 20' height
- MOT⁵ 360° lens, maximum coverage 70' diameter from 20' height
- FHD⁶ Double Fuse and Holder
- HSS External 120° House Side Shield
- BLOC Back Light Optical Control

⁴ Requires control receptacle

⁵ Requires FLAT acrylic lens

⁶ Ships loose for installation in base

Pole [\(Click here to link to pole specification page\)](#)

See Pole specification sheets.

Finish

Standard Urban Finishes [\(Click here to view paint finish sheet\)](#)

- UGMT Gun Metal Textured
- UGM Gun Metal Matte
- UBT Urban Bronze Textured
- UB Urban Bronze Matte
- ULBT Urban Light Bronze Textured
- ULB Urban Light Bronze Matte
- USLT Urban Silver Textured
- USL Urban Silver Matte
- UWHT Urban White Textured
- UWH Urban White Matte
- UCHS Urban Champagne Satin Smooth
- BKT Black Textured

Custom Urban Finishes⁷

- CM Custom Match

⁷ Smooth finishes are available upon request.

Specifications

Fixture

The large scale SL735 Solana[®] arm mount luminaire's stylish design is a perfect accent for urban settings. The subtle, yet sophisticated look enhances the impact of any project. The Solana's wide array of arms, optics, lenses and distributions makes this an easy choice for a variety of commercial, institutional and municipal projects. The Luminaire shall be UL listed in US and Canada.

LEDs

The luminaire shall use high output, high brightness LED's. They shall be mounted in arrays, on printed circuit boards designed to maximize heat transfer to the heat sink surface. The arrays shall be roof mounted to minimize up-light. The LED's and printed circuit boards shall be 100% recyclable; they shall also be protected from moisture and corrosion by a conformal coating. They shall not contain lead, mercury or any other hazardous substances and shall be RoHS compliant. The LED life rating data shall be determined in accordance with IESNA LM-80. The High Performance white LED's will have a life expectancy of approximately 100,000 hours with not less than 70% of original brightness (lumen maintenance), rated at 25°C. The High Brightness, High Output LED's shall be 4000K (2700K, 3000K or 5000K option) color temperature with a minimum CRI of 70. Consult factory for custom color CCT. The luminaire shall have a minimum _____ (see table) delivered initial lumen rating when operated at steady state with an average ambient temperature of 25°C (77°F).

Optics

The luminaire shall be provided with refractor type optics applied to each LED array. The luminaire shall provide Type ____ (2, 3, 4 or 5) light distribution per the IESNA classifications. Testing shall be done in accordance with IESNA LM-79.

BLOC Optic: An optional "Back Light Optical Control" shield can be provided at the factory. This is an internal optic level "House Side Shield" offering significantly reduced backlight and glare while maintaining the original design aesthetics of the luminaire.

Electronic Drivers

The LED driver shall be U.L. Recognized. It shall be securely mounted inside the fixture, for optimized performance and longevity. It shall be supplied with a quick-disconnect electrical connector on the power supply, providing easy power connections and fixture installation. It

See next page

shall have overload, overheat and short circuit protection, and have a DC voltage output, constant current design, 50/60HZ. It shall be supplied with line-ground, line-neutral and neutral-ground electrical surge protection in accordance with IEEE/ANSI C62.41.2 guidelines. It shall be a high efficiency driver with a THD less than 20% and a high power factor greater than .9. It shall be dimming capable using a 0-10v signal, consult factory for more information.

Photocontrols

Button Style: The photocontrol shall be mounted on the fixture and pre-wired to driver. The electronic button type photocontrol is instant on with a 5-10 second turn off, and shall turn on at 1.5 footcandles with a turn-off at 2-3 footcandles. Photocontrol is 120-277 volt and warranted for 6 years. See pole spec sheet for pole mounted version.

Twist-Lock Style: The photocontrol shall be mounted externally on the fixture and pre-wired to driver. The twist lock type photocontrol is instant on with a 3-6 second turn off, and shall turn on at 1.5 footcandles with a turn-off at 2-3 footcandles. Photocontrol is 120-277 volt and warranted for 6 years.

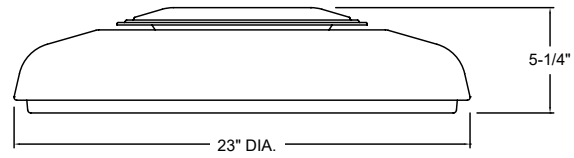
Warranty

Seven-year limited warranty. See product and finish warranty guide for details.

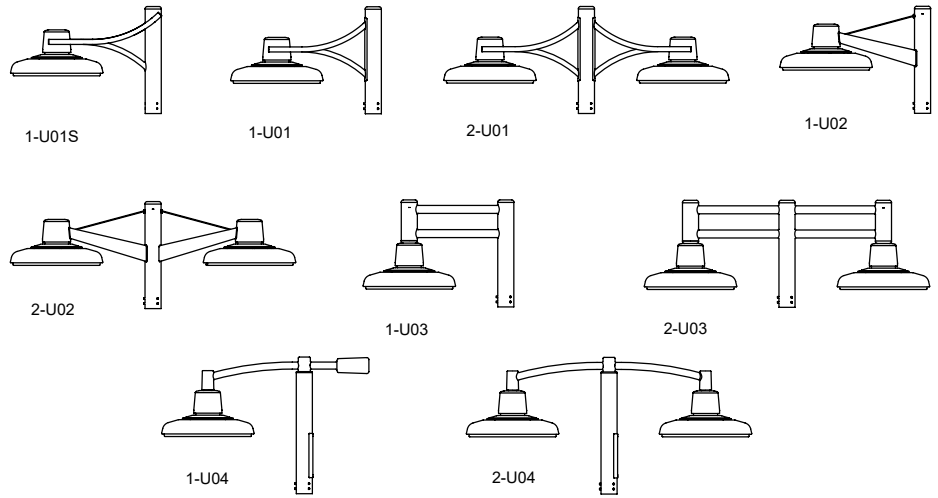
Finish

Refer to website for details.

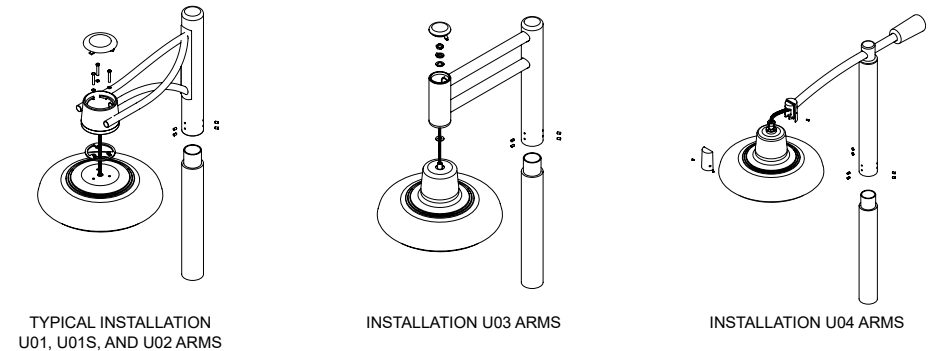
Fixtures



Mounting Configurations

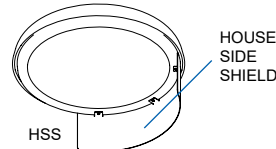
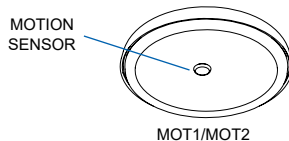
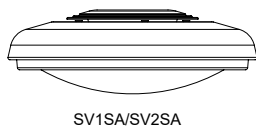


Mounting Details



NOTE: MOUNTING HARDWARE SUPPLIED BY STERNBERG

Options



NOTE:
FOR R AND PEC
CONSULT FACTORY FOR
LOCATION

SL735 SOLANA SERIES

LED

Performance (Based on FG Lens)

MODEL #	T2 LUMENS	BUG	EFFICACY (LPW)	T3 LUMENS	BUG	EFFICACY (LPW)	T4 LUMENS	BUG	EFFICACY (LPW)	T5 LUMENS	BUG	EFFICACY (LPW)	WATTS
40L40T_-MDL016	21415	B3U0G3	121.0	21545	B3U0G3	121.7	20905	B3U0G3	118.1	21720	B4U0G2	122.7	177
40L30T_-MDL016	20420	B3U0G3	115.4	20540	B3U0G3	116.0	19930	B3U0G3	112.6	20710	B4U0G2	117.0	177
40L27T_-MDL016	18460	B3U0G3	104.3	18575	B3U0G3	104.9	18020	B3U0G3	101.8	18725	B4U0G2	105.8	177
32L40T_-MDL018	18455	B3U0G3	119.1	18590	B3U0G3	119.9	17690	B3U0G3	114.1	18620	B4U0G2	120.1	155
32L30T_-MDL018	17595	B3U0G3	113.5	17725	B3U0G3	114.4	16865	B3U0G3	108.8	17755	B4U0G2	114.5	155
32L27T_-MDL018	15910	B3U0G3	102.6	16025	B3U0G3	103.4	15250	B3U0G3	98.4	16050	B3U0G2	103.5	155
32L40T_-MDL014	15225	B3U0G3	129.0	15265	B3U0G3	129.4	14750	B3U0G3	125.0	15310	B3U0G2	129.7	118
32L30T_-MDL014	14515	B3U0G3	123.0	14555	B3U0G3	123.3	14065	B3U0G3	119.2	14595	B3U0G2	123.7	118
32L27T_-MDL014	13125	B2U0G2	111.2	13160	B3U0G3	111.5	12715	B2U0G2	107.8	13200	B3U0G2	111.9	118
24L40T_-MDL018	13990	B2U0G2	118.6	14090	B3U0G3	119.4	13565	B2U0G2	115.0	14140	B3U0G2	119.8	118
24L30T_-MDL018	13340	B2U0G2	113.1	13435	B3U0G3	113.9	12935	B2U0G2	109.6	13480	B3U0G2	114.2	118
24L27T_-MDL018	12060	B2U0G2	102.2	12145	B2U0G2	102.9	11695	B2U0G2	99.1	12190	B3U0G1	103.3	118
24L40T_-MDL014	11275	B2U0G2	126.7	11370	B2U0G2	127.8	10930	B2U0G2	122.8	11365	B3U0G1	127.7	89
24L30T_-MDL014	10750	B2U0G2	120.8	10840	B2U0G2	121.8	10420	B2U0G2	117.1	10835	B3U0G1	121.7	89
24L27T_-MDL014	9720	B2U0G2	109.2	9800	B2U0G2	110.1	9420	B2U0G2	105.8	9795	B3U0G1	110.1	89