



SL730 SOLANA SERIES

LED

EPA
1.2 (ft²)
WEIGHT
54 LBS

7 YEAR
WARRANTY

LUMEN
RANGE
9,395 to
20,735

LIFE SPAN
L70
MINIMUM
100,000
HOURS

UL
LISTED

CLICK
FOR FAQ'S

JOB NAME _____

FIXTURE TYPE _____

MEMO _____

BUILD A PART NUMBER

ORDERING EXAMPLE: **1A-SL730-24L40T3-MDL022-SV1-R7-PE-FHD-BLOC/550P5-20-188/UGMT**

Mounting Config.	Fixture	LED	CCT	Type	Driver	Lens	Option Round Pole Adapter	Optional Control Receptacle	Option Control	Option Motion Sensor	Option Fuse	Option House Side Shield	Pole <small>See Pole Spec Sheets</small>	Finish

Mounting Configuration

(Click here to link to mounting configuration specification page)

- 1W • 2A90 • 4A
- 1A • 3A • 1AM
- 2A • 3A90 • 2AM

W = Wall Mount A = Arm Mount AM = Arm Mid-Mount

Fixture

- SL730

LED

- 40L • 32L • 24L

CCT - Color Temperature (K)

- 27(00) • 30(00) • 40(00) • 50(00)

Distribution Type

- T2 • T3 • T4 • T5

Driver

- MDL018¹ (120V-277V, 180mA)
- MDH018¹ (347V-480V, 180mA)
- MDL016² (120V-277V, 160mA)
- MDH016² (347V-480V, 160mA)
- MDL014¹ (120V-277V, 140mA)
- MDH014¹ (347V-480V, 140mA)

¹ 32L or 24L system only.

² 40L system only.

Lens

- CA (Clear Acrylic)
- FG (Flat Glass)
- SA (Sag Acrylic)
- FFG (Frosted Flat Glass)
- SV1 (Flat Soft Vue Light Diffused Acrylic)
- SV2 (Flat Soft Vue Moderate Diffused Acrylic)
- SV4 (Flat Soft Vue Maximum Diffused Acrylic)
- SVISA (Soft Vue Light Diffused Sag Acrylic)
- SV2SA (Soft Vue Moderate Diffused Sag Acrylic)
- SV4SA (Soft Vue Maximum Diffused Sag Acrylic)

Options (Click here to view accessories sheet)

- RP34³ For 3" to 4" diameter poles
- RP56³ For 5" to 6" diameter poles
- R 3-Pin control receptacle only
- R5 5-Pin control receptacle only
- R7 7-Pin control receptacle only

- PE⁴ Twist-Lock Photocontrol (120V-277V)
- PE3⁴ Twist-Lock Photocontrol (347V)
- PE4⁴ Twist-Lock Photocontrol (480V)
- SC⁴ Shorting Cap
- PEC Electronic Button Photocontrol (120V-277V)
- PEC4 Electronic Button Photocontrol (480V)
- MOT⁵ 360° lens, maximum coverage 40" diameter from 20' height
- MOT2⁵ 360° lens, maximum coverage 70" diameter from 20' height
- FHD⁶ Double Fuse and Holder
- HSS External 120° House Side Shield
- BLOC Internal optic level House Side Shield

³ Required for round poles

⁴ Requires control receptacle

⁵ Requires FLAT acrylic lens

⁶ Ships loose for installation in base

Pole (Click here to link to pole specification page)

See Pole specification sheets.

Finish

Standard Urban Finishes (Click here to view paint finish sheet)

- UGMT Gun Metal Textured
- UGM Gun Metal Matte
- UBT Urban Bronze Textured
- UB Urban Bronze Matte
- ULBT Urban Light Bronze Textured
- ULB Urban Light Bronze Matte
- USLT Urban Silver Textured
- USL Urban Silver Matte
- UWHT Urban White Textured
- UWH Urban White Matte
- UCHS Urban Champagne Satin Smooth
- BKT Black Textured

Custom Urban Finishes⁷

- CM Custom Match

⁷ Smooth finishes are available upon request.

Specifications

Fixture

The large scale SL730 Solana® side mount luminaire's stylish design is a perfect accent for urban settings. The subtle, yet sophisticated look enhances the impact of any project. The Solana's wide array of optics, lenses and distributions makes this an easy choice for a

variety of commercial, institutional and municipal projects. The luminaire shall be UL listed in US and Canada.

LEDs

The luminaire shall use high output, high brightness LED's. They shall be mounted in arrays, on printed circuit boards designed to maximize heat transfer to the heat sink surface. The arrays shall be roof mounted to minimize up-light. The LED's and printed circuit boards shall be 100% recyclable; they shall also be protected from moisture and corrosion by a conformal coating. They shall not contain lead, mercury or any other hazardous substances and shall be RoHS compliant. The LED life rating data shall be determined in accordance with IESNA LM-80. The High Performance white LED's will have a life expectancy of approximately 100,000 hours with not less than 70% of original brightness (lumen maintenance), rated at 25°C. The High Brightness, High Output LED's shall be 4000K (2700K, 3000K or 5000K option) color temperature with a minimum CRI of 70. Consult factory for custom color CCT. The luminaire shall have a minimum _____ (see table) delivered initial lumen rating when operated at steady state with an average ambient temperature of 25°C (77°F).

Optics

The luminaire shall be provided with refractor type optics applied to each LED array. The luminaire shall provide Type ____ (2, 3, 4 or 5) light distribution per the IESNA classifications. Testing shall be done in accordance with IESNA LM-79.

BLOC Optic: An optional "Back Light Optical Control" shield can be provided at the factory. This is an internal optic level "House Side Shield" offering significantly reduced backlight and glare while maintaining the original design aesthetics of the luminaire.

Electronic Drivers

The LED driver shall be U.L. Recognized. It shall be securely mounted inside the fixture, for

See next page

optimized performance and longevity. It shall be supplied with a quick-disconnect electrical connector on the power supply, providing easy power connections and fixture installation. It shall have overload, overheat and short circuit protection, and have a DC voltage output, constant current design, 50/60HZ. It shall be supplied with line-ground, line-neutral and neutral-ground electrical surge protection in accordance with IEEE/ANSI C62.41.2 guidelines. It shall be a high efficiency driver with a THD less than 20% and a high power factor greater than .9. It shall be dimming capable using a 0-10v signal, consult factory for more information.

Photocontrols

Button Style: The photocontrol shall be mounted on the fixture and pre-wired to driver. The electronic button type photocontrol is instant on with a 5-10 second turn off, and shall turn on at 1.5 footcandles with a turn-off at 2-3 footcandles. Photocontrol is 120-277 volt and warranted for 6 years. See pole spec sheet for pole mounted version.

Twist-Lock Style: The photocontrol shall be mounted externally on the fixture and pre-wired to driver. The twist lock type photocontrol is instant on with a 3-6 second turn off, and shall turn on at 1.5 footcandles with a turn-off at 2-3 footcandles. Photocontrol is 120-277 volt and warranted for 6 years.

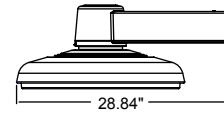
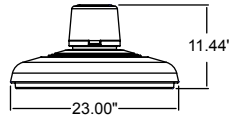
Warranty

Seven-year limited warranty. See product and finish warranty guide for details.

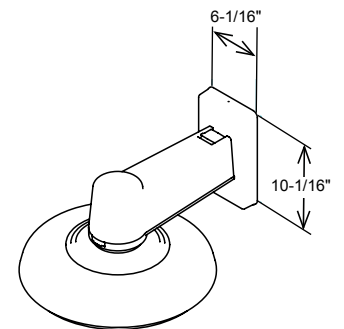
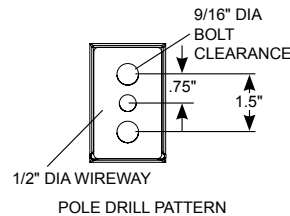
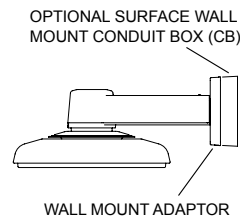
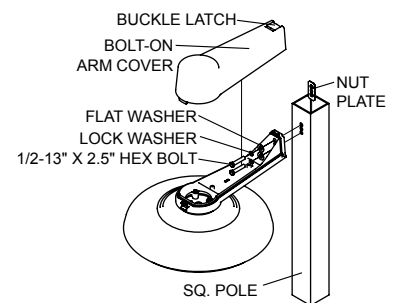
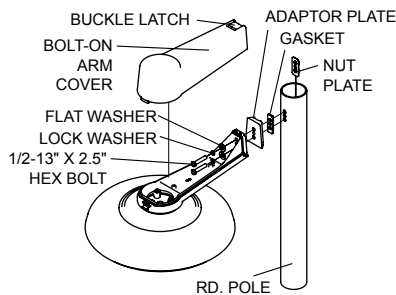
Finish

Refer to website for details.

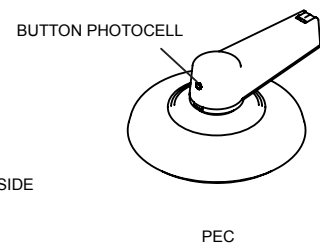
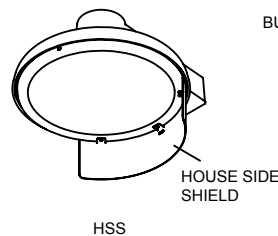
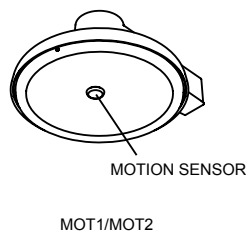
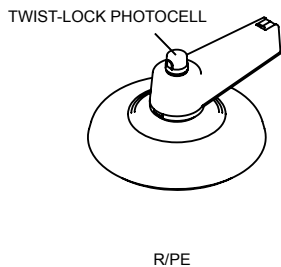
Fixtures



Mounting Details



Options



Performance (Based on FG Lens)

MODEL #	T2 DELIVERED LUMENS	EFFICACY (LPW)	T3 DELIVERED LUMENS	EFFICACY (LPW)	T4 DELIVERED LUMENS	EFFICACY (LPW)	T5 DELIVERED LUMENS	EFFICACY (LPW)	WATTAGE
40L40T_-MDL016	20540	115.4	20735	116.5	20195	113.5	20635	115.9	178
40L30T_-MDL016	19585	110.0	19770	111.1	19255	108.2	19675	110.5	178
40L27T_-MDL016	17705	99.5	17875	100.4	17410	97.8	17790	99.9	178
32L40T_-MDL018	17320	110.3	17405	110.9	16905	107.7	17670	112.5	157
32L30T_-MDL018	16515	105.2	16595	105.7	16120	102.7	16845	107.3	157
32L27T_-MDL018	14930	95.1	15005	95.6	14575	92.8	15235	97.0	157
32L40T_-MDL014	14535	121.1	14640	122.0	14210	118.4	14725	122.7	120
32L30T_-MDL014	13860	115.5	13960	116.3	13550	112.9	14040	117.0	120
32L27T_-MDL014	12530	104.4	12620	105.2	12250	102.1	12695	105.8	120
24L40T_-MDL018	13335	111.1	13220	110.2	12885	107.4	13345	111.2	120
24L30T_-MDL018	12715	106.0	12605	105.0	12285	102.4	12725	106.0	120
24L27T_-MDL018	11495	95.8	11395	95.0	11110	92.6	11505	95.9	120
24L40T_-MDL014	10900	121.1	11015	122.4	10665	118.5	10925	121.4	90
24L30T_-MDL014	10395	115.5	10500	116.7	10170	113.0	10415	115.7	90
24L27T_-MDL014	9395	104.4	9495	105.5	9195	102.2	9420	104.7	90