



SL660 SOLANA SERIES

LED

EPA
.9 (ft²)
WEIGHT
29 LBS

7 YEAR
WARRANTY

LUMEN
RANGE
2,405 to
11,500

LIFE SPAN
L70
MINIMUM
100,000
HOURS

UL
LISTED

CLICK
FOR FAQ'S

JOB NAME _____

FIXTURE TYPE _____

MEMO _____

BUILD A PART NUMBER

ORDERING EXAMPLE: **PT-SL660-12L40T5-MDL018-SV1-MOTI-FHD-BLOC/450P4-12-188/UGMT**

| Mounting Config. | Fixture | LED | CCT | Type | Driver | Lens | Option Control Receptacle | Option Control | Option Motion Sensor | Option Fuse | Option House Side Shield | Arm See Arm Spec Sheets | Pole See Pole Spec Sheets | Finish |
|------------------|---------|-----|-----|------|--------|------|---------------------------|----------------|----------------------|-------------|--------------------------|-------------------------|---------------------------|--------|
| | | | | | | | | | | | | | | |

Mounting Configuration

(Click here to link to mounting configuration specification page)

- 1W • 2A • 3A90 • 1AM
- PT • 2A90 • 3APT • 2AM
- 1A • 2APT • 4A
- 1APT • 3A • 4APT

W = Wall Mount A = Arm Mount AM = Arm Mid-Mount

Fixture

- SL660

LED

- 24L • 12L

CCT - Color Temperature (K)

- 27(00) • 30(00) • 40(00) • 50(00)

Distribution Type

- T2 • T3 • T4 • T5

Driver

- MDL018 (120V-277V, 180mA)
- MDH018 (347V-480V, 180mA)
- MDL014 (120V-277V, 140mA)
- MDH014 (347V-480V, 140mA)
- MDL008¹ (120V-277V, 80mA)
- MDH008¹ (347V-480V, 80mA)

¹ 12L system only.

Lens

- CA (Clear Acrylic)
- FG (Flat Glass)
- SA (Sag Acrylic)
- FFG (Frosted Flat Glass)
- SV1 (Flat Soft Vue Light Diffused Acrylic)
- SV2 (Flat Soft Vue Moderate Diffused Acrylic)
- SV4 (Flat Soft Vue Maximum Diffused Acrylic)
- SV1SA (Soft Vue Light Diffused Sag Acrylic)
- SV2SA (Soft Vue Moderate Diffused Sag Acrylic)
- SV4SA (Soft Vue Maximum Diffused Sag Acrylic)

Options (Click here to view accessories sheet)

- R 3-Pin control receptacle only
- R5 5-Pin control receptacle only
- R7 7-Pin control receptacle only
- PE² Twist-Lock Photocontrol (120V-277V)
- PE³ Twist-Lock Photocontrol (347V)

- PE⁴ Twist-Lock Photocontrol (480V)
- SC² Shorting Cap
- PEC Electronic Button Photocontrol (120V-277V)
- PEC⁴ Electronic Button Photocontrol (480V)
- MOT³ 360° lens, maximum coverage 40' diameter from 20' height
- MOT² 360° lens, maximum coverage 70' diameter from 20' height
- FHD⁴ Double Fuse and Holder
- HSS 120° House Side Shield
- BLOC Back Light Optical Control

² Requires control receptacle

³ Requires flat acrylic lens (CA, SV1, SV2 or SV4)

⁴ Ships loose for installation in base

Arm (Click here to view arm website page)

See Arms & Wall Brackets specification sheets.

- 480 • 80 • EU1 • OMS
- 62 • VCS • VFS • VLS

Pole (Click here to link to pole specification page)

See Pole specification sheets.

Finish

Standard Urban Finishes (Click here to view paint finish sheet)

- UGMT Gun Metal Textured
- UGM Gun Metal Matte
- UBT Urban Bronze Textured
- UB Urban Bronze Matte
- ULBT Urban Light Bronze Textured
- ULB Urban Light Bronze Matte
- USLT Urban Silver Textured
- USL Urban Silver Matte
- UWHT Urban White Textured
- UWH Urban White Matte
- UCHS Urban Champagne Satin Smooth
- BKT Black Textured

Custom Urban Finishes⁵

- CM Custom Match

⁵ Smooth finishes are available upon request.

Specifications

Fixture

The medium scale Solana® SL660 post-top Luminaire's modern geometric design complements a diverse assortment of contemporary

architectural settings. Its urbanesque yoke design offers not only aesthetic beauty, durability and optical efficiency, but takes street, area, and medium mount lighting to another level. The Solana® SL660 is well suited for all roadway, site and pedestrian environments. Our convective AAD™ "Advanced Air-flow Dynamics" maximizes heat sink expulsion to deliver unsurpassed thermal management for long-life LED performance and energy efficiency. The cast aluminum slipfitter slips a 3" OD x 3" tall tenon. The luminaire shall be UL listed in US and Canada.

LEDs

The luminaire shall use high output, high brightness LED's. They shall be mounted in arrays, on printed circuit boards designed to maximize heat transfer to the heat sink surface. The arrays shall be roof mounted to minimize up-light. The LED's and printed circuit boards shall be 100% recyclable; they shall also be protected from moisture and corrosion by a conformal coating. They shall not contain lead, mercury or any other hazardous substances and shall be RoHS compliant. The LED life rating data shall be determined in accordance with IESNA LM-80. The High Performance white LED's will have a life expectancy of approximately 100,000 hours with not less than 70% of original brightness (lumen maintenance), rated at 25°C. The High Brightness, High Output LED's shall be 4000K (2700K, 3000K or 5000K option) color temperature with a minimum CRI of 70. Consult factory for custom color CCT. The luminaire shall have a minimum _____ (see table) delivered initial lumen rating when operated at steady state with an average ambient temperature of 25°C (77°F).

Optics

The luminaire shall be provided with refractor type optics applied to each LED array. The luminaire shall provide Type ____ (2, 3, 4 or 5) light distribution per the IESNA classifications. Testing shall be done in accordance with IESNA LM-79.

See next page

BLOC Optic: An optional "Back Light Optical Control" shield can be provided at the factory. This is an internal optic level "House Side Shield" offering significantly reduced backlight and glare while maintaining the original design aesthetics of the luminaire.

Electronic Drivers

The LED driver shall be U.L. Recognized. It shall be securely mounted inside the fixture, for optimized performance and longevity. It shall be supplied with a quick-disconnect electrical connector on the power supply, providing easy power connections and fixture installation. It shall have overload, overheat and short circuit protection, and have a DC voltage output, constant current design, 50/60HZ. It shall be supplied with line-ground, line-neutral and neutral-ground electrical surge protection in accordance with IEEE/ANSI C62.41.2 guidelines. It shall be a high efficiency driver with a THD less than 20% and a high power factor greater than .9. It shall be dimming capable using a 0-10v signal, consult factory for more information.

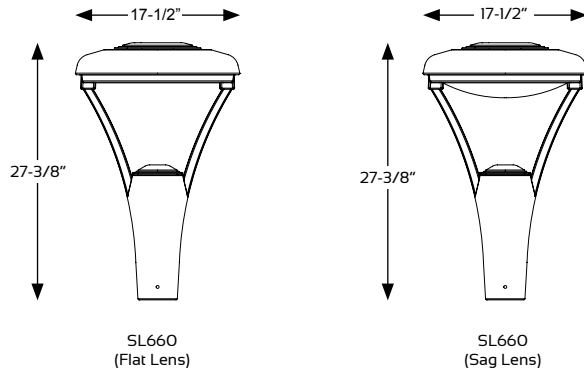
Warranty

Seven-year limited warranty. See product and finish warranty guide for details.

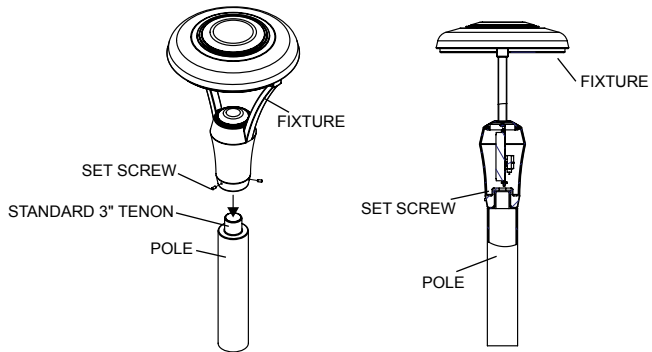
Finish

Refer to website for details.

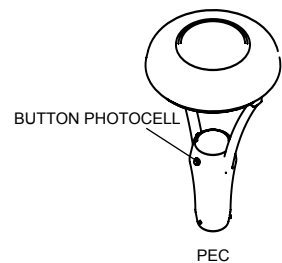
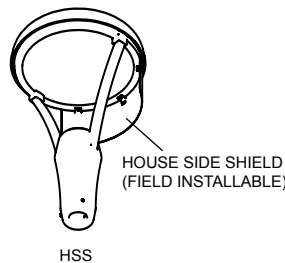
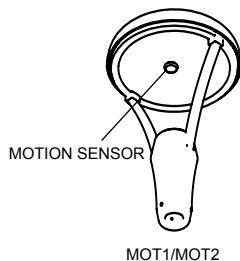
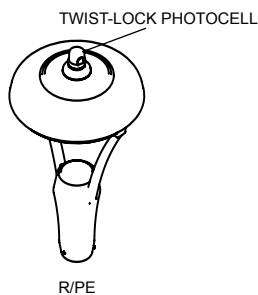
Fixtures



Mounting Details



Options



SL660 SOLANA SERIES

LED

Performance (Based on CA Lens)

| MODEL # | T2 DELIVERED LUMENS | EFFICACY (LPW) | T3 DELIVERED LUMENS | EFFICACY (LPW) | T4 DELIVERED LUMENS | EFFICACY (LPW) | T5 DELIVERED LUMENS | EFFICACY (LPW) | WATTS |
|----------------|---------------------|----------------|---------------------|----------------|---------------------|----------------|---------------------|----------------|-------|
| 24L40T_-MDL018 | 11375 | 95.6 | 11480 | 96.5 | 11140 | 93.6 | 11500 | 96.6 | 119 |
| 24L30T_-MDL018 | 10845 | 91.1 | 10945 | 92.0 | 10620 | 89.2 | 10965 | 92.1 | 119 |
| 24L27T_-MDL018 | 9805 | 82.4 | 9895 | 83.2 | 9605 | 80.7 | 9915 | 83.3 | 119 |
| 24L40T_-MDL014 | 9205 | 102.3 | 9290 | 103.2 | 9010 | 100.1 | 9330 | 103.7 | 90 |
| 24L30T_-MDL014 | 8775 | 97.5 | 8860 | 98.4 | 8590 | 95.4 | 8895 | 98.8 | 90 |
| 24L27T_-MDL014 | 7935 | 88.2 | 8010 | 89.0 | 7765 | 86.3 | 8045 | 89.4 | 90 |
| 12L40T_-MDL018 | 5845 | 95.8 | 5900 | 96.7 | 5675 | 93.0 | 5750 | 94.3 | 61 |
| 12L30T_-MDL018 | 5575 | 91.4 | 5625 | 92.2 | 5410 | 88.7 | 5480 | 89.8 | 61 |
| 12L27T_-MDL018 | 5040 | 82.6 | 5085 | 83.4 | 4890 | 80.2 | 4955 | 81.2 | 61 |
| 12L40T_-MDL014 | 4760 | 101.3 | 4825 | 102.7 | 4615 | 98.2 | 4710 | 100.2 | 47 |
| 12L30T_-MDL014 | 4540 | 96.6 | 4600 | 97.9 | 4400 | 93.6 | 4490 | 95.5 | 47 |
| 12L27T_-MDL014 | 4105 | 87.3 | 4160 | 88.5 | 3980 | 84.7 | 4060 | 86.4 | 47 |
| 12L40T_-MDL008 | 2885 | 106.9 | 2920 | 108.1 | 2790 | 103.3 | 2850 | 105.6 | 27 |
| 12L30T_-MDL008 | 2750 | 101.9 | 2785 | 103.1 | 2660 | 98.5 | 2715 | 100.6 | 27 |
| 12L27T_-MDL008 | 2485 | 92.0 | 2515 | 93.1 | 2405 | 89.1 | 2455 | 90.9 | 27 |