



SL660 SOLANA SERIES

LED

EPA
.9 (ft²)
WEIGHT
29 LBS

7 YEAR
WARRANTY

LUMEN
RANGE
2,265 to
11,795

LIFE SPAN
L70
MINIMUM
100,000
HOURS

UL
LISTED

CLICK
FOR FAQ'S

IP RATING
IP 66

JOB NAME _____

FIXTURE TYPE _____

MEMO _____

BUILD A PART NUMBER

ORDERING EXAMPLE: **PT-SL660-12L40T5-MDL018-SV1-MOTI-FHD-BLOC/RSA14A500-P3/UGMT**

Mounting Config.	Fixture	LED	CCT	Type	Driver	Lens	Option Control Receptacle	Option Control	Option Motion Sensor	Option Fuse	Option House Side Shield	Arm See Arm Spec Sheets	Pole See Pole Spec Sheets	Finish

Mounting Configuration

(Click here to link to mounting configuration specification page)

- 1W
- 2A
- 3A90
- 1AM
- PT
- 2A90
- 3APT
- 2AM
- 1A
- 2APT
- 4A
- 1APT
- 3A
- 4APT

W = Wall Mount A = Arm Mount AM = Arm Mid-Mount

Fixture

- SL660

LED

- 24L
- 12L

CCT - Color Temperature (K)

- 27(00)
- 30(00)
- 40(00)
- 50(00)

Distribution Type

- T2
- T3
- T4
- T5

Driver

- MDL018 (120V-277V, 180mA)
- MDH018 (347V-480V, 180mA)
- MDL014 (120V-277V, 140mA)
- MDH014 (347V-480V, 140mA)
- MDL008¹ (120V-277V, 80mA)
- MDH008¹ (347V-480V, 80mA)

¹ 12L system only.

Lens

- CA (Clear Acrylic)
- FG (Flat Glass)
- SA (Sag Acrylic)
- FFG (Frosted Flat Glass)
- SV1 (Flat Soft Vue Light Diffused Acrylic)
- SV2 (Flat Soft Vue Moderate Diffused Acrylic)
- SV4 (Flat Soft Vue Maximum Diffused Acrylic)
- SV1SA (Soft Vue Light Diffused Sag Acrylic)
- SV2SA (Soft Vue Moderate Diffused Sag Acrylic)
- SV4SA (Soft Vue Maximum Diffused Sag Acrylic)

Options (Click here to view accessories sheet)

- R7 7-Pin control receptacle only
- PE² Twist-Lock Photocontrol (120V-277V)
- PE4² Twist-Lock Photocontrol (347V-480V)
- SC² Shorting Cap
- PEC Electronic Button Photocontrol (120V-277V)

- PEC4 Electronic Button Photocontrol (480V)
- MOTI^{3,4} 360° lens, maximum coverage 40' diameter from 20' height
- MOT2^{3,4} 360° lens, maximum coverage 70' diameter from 20' height
- FHD⁵ Double Fuse and Holder
- HSS 120° House Side Shield
- BLOC Back Light Optical Control

² Requires control receptacle

³ Requires flat acrylic lens (CA, SV1, SV2 or SV4)

^{4,5} For use with MDL driver only, not for use with CONTROLS

⁵ Ships loose for installation in base

Arm (Click here to view arm website page)

See Arms & Wall Brackets specification sheets.

- 480
- 80
- EUJ
- OMS
- 62
- VCS
- VFS
- VLS

Pole (Click here to link to pole specification page)

See Pole specification sheets.

Finish

Standard Urban Finishes (Click here to view paint finish sheet)

- UGMT Gun Metal Textured
- UGM Gun Metal Matte
- UBT Urban Bronze Textured
- UB Urban Bronze Matte
- ULBT Urban Light Bronze Textured
- ULB Urban Light Bronze Matte
- USLT Urban Silver Textured
- USL Urban Silver Matte
- UWHT Urban White Textured
- UWH Urban White Matte
- UCHS Urban Champagne Satin Smooth
- BKT Black Textured

Custom Urban Finishes⁶

- CM Custom Match

⁶ Smooth finishes are available upon request.

Specifications

Fixture

The medium scale Solana® SL660 post-top luminaire's modern geometric design complements a diverse assortment of contemporary architectural settings. Its urbanesque yoke design offers not only aesthetic beauty, durability and optical efficiency, but takes street,

area, and medium mount lighting to another level. The Solana® SL660 is well suited for all roadway, site and pedestrian environments. Our convective AAD™ "Advanced Air-flow Dynamics" maximizes heat sink expulsion to deliver unsurpassed thermal management for long-life LED performance and energy efficiency. The cast aluminum slipfitter slips a 3" OD x 3" tall tenon. The luminaire shall be UL listed in US and Canada.

LEDs

The luminaire shall use high output, high brightness LED's. They shall be mounted in arrays, on printed circuit boards designed to maximize heat transfer to the heat sink surface. The arrays shall be roof mounted to minimize up-light. The LED's and printed circuit boards shall be 100% recyclable; they shall also be protected from moisture and corrosion by a conformal coating. They shall not contain lead, mercury or any other hazardous substances and shall be RoHS compliant. The LED life rating data shall be determined in accordance with IESNA LM-80. The High Performance white LED's will have a life expectancy of approximately 100,000 hours with not less than 70% of original brightness (lumen maintenance), rated at 25°C. The High Brightness, High Output LED's shall be 4000K (2700K, 3000K or 5000K option) color temperature with a minimum CRI of 70. Consult factory for custom color CCT. The luminaire shall have a minimum _____ (see table) delivered initial lumen rating when operated at steady state with an average ambient temperature of 25°C (77°F).

Optics

The luminaire shall be provided with refractor type optics applied to each LED array. The luminaire shall provide Type ____ (2, 3, 4 or 5) light distribution per the IESNA classifications. Testing shall be done in accordance with IESNA LM-79.

BLOC Optic: An optional "Back Light Optical Control" shield can be provided at the factory. This is an internal optic level "House Side Shield" offering significantly reduced backlight

See next page

and glare while maintaining the original design aesthetics of the luminaire.

Electronic Drivers

The LED driver shall be U.L. Recognized. It shall be securely mounted inside the fixture, for optimized performance and longevity. It shall be supplied with a quick-disconnect electrical connector on the power supply, providing easy power connections and fixture installation. It shall have overload, overheat and short circuit protection, and have a DC voltage output, constant current design, 50/60HZ. It shall be supplied with line-ground, line-neutral and neutral-ground electrical surge protection in accordance with IEEE/ANSI C62.41.2 guidelines. It shall be a high efficiency driver with a THD less than 20% and a high power factor greater than .9. It shall be dimming capable using a 0-10v signal, consult factory for more information.

Motion Sensor

The programmable passive infrared motion sensor is installed integral to the fixture and wired to the driver. 2 coverage area lenses are available; assuming a 20' mounting height a lens with 40' coverage (MOT1) and 70' coverage (MOT2) is available. An optional wireless programming device is available for changing the settings in the field, custom factory settings are available upon request. The sensor includes photocell functionality turned on by default. For use with MDL driver system only.

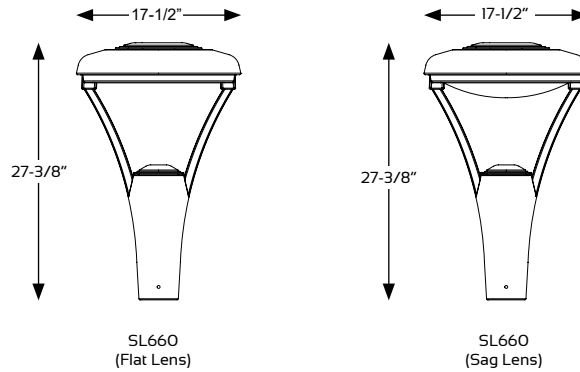
Warranty

Seven-year limited warranty. See product and finish warranty guide for details.

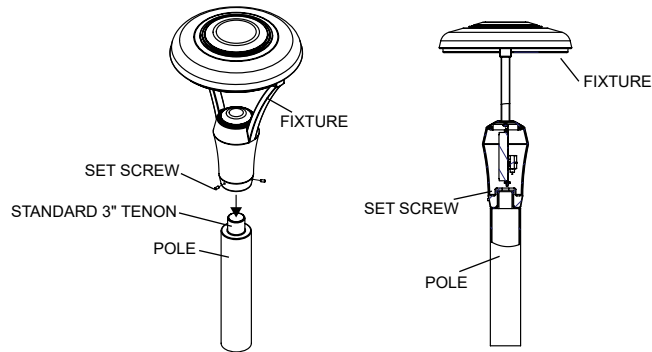
Finish

Refer to website for details.

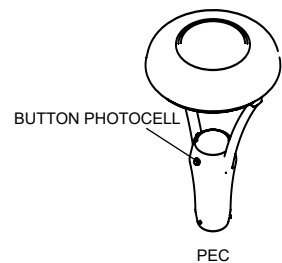
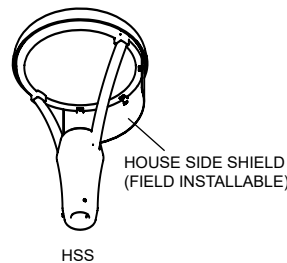
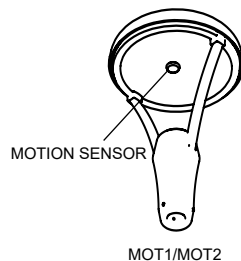
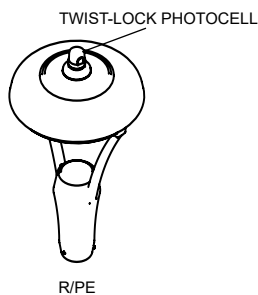
Fixtures



Mounting Details



Options



Performance (Based on CA Lens)

MODEL #	T2 LUMENS	BUG	EFFICACY (LPW)	T3 LUMENS	BUG	EFFICACY (LPW)	T4 LUMENS	BUG	EFFICACY (LPW)	T5 LUMENS	BUG	EFFICACY (LPW)	WATTS
24L40T_-MDL018	11390	B2U0G2	96.5	11500	B2U0G2	97.5	11130	B2U0G2	94.3	11515	B3U0G1	97.6	118
24L30T_-MDL018	10860	B2U0G2	92.0	10965	B2U0G2	92.9	10610	B2U0G2	89.9	10980	B3U0G1	93.1	118
24L27T_-MDL018	9820	B2U0G2	83.2	9915	B2U0G2	84.0	9595	B2U0G2	81.3	9925	B3U0G1	84.1	118
24L40T_-MDL014	9230	B2U0G2	104.9	9320	B2U0G2	105.9	9020	B2U0G2	102.5	9335	B3U0G1	106.1	88
24L30T_-MDL014	8800	B2U0G2	100.0	8885	B2U0G2	101.0	8600	B2U0G2	97.7	8900	B3U0G1	101.1	88
24L27T_-MDL014	7955	B2U0G2	90.4	8035	B2U0G2	91.3	7775	B2U0G2	88.4	8045	B3U0G1	91.4	88
12L40T_-MDL018	5880	B1U0G1	98.0	5950	B1U0G1	99.2	5685	B1U0G1	94.8	5770	B2U0G1	96.2	60
12L30T_-MDL018	5605	B1U0G1	93.4	5675	B1U0G1	94.6	5420	B1U0G1	90.3	5500	B2U0G1	91.7	60
12L27T_-MDL018	5070	B1U0G1	84.5	5130	B1U0G1	85.5	4900	B1U0G1	81.7	4975	B2U0G1	82.9	60
12L40T_-MDL014	4800	B1U0G1	104.3	4860	B1U0G1	105.7	4645	B1U0G1	101.0	4735	B2U0G1	102.9	46
12L30T_-MDL014	4575	B1U0G1	99.5	4635	B1U0G1	100.8	4430	B1U0G1	96.3	4515	B2U0G1	98.2	46
12L27T_-MDL014	4140	B1U0G1	90.0	4190	B1U0G1	91.1	4005	B1U0G1	87.1	4080	B2U0G1	88.7	46
12L40T_-MDL008	2905	B1U0G1	107.6	2940	B1U0G1	108.9	2815	B1U0G1	104.3	2880	B1U0G0	106.7	27
12L30T_-MDL008	2770	B1U0G1	102.6	2805	B1U0G1	103.9	2685	B1U0G1	99.4	2745	B1U0G0	101.7	27
12L27T_-MDL008	2505	B1U0G1	92.8	2535	B1U0G1	93.9	2425	B1U0G1	89.8	2485	B1U0G0	92.0	27