



SL660 SOLANA SERIES

LED

EPA
.9 (ft²)
WEIGHT
29 LBS

7 YEAR
WARRANTY

LUMEN
RANGE
2,405 to
11,500

LIFE SPAN
L70
MINIMUM
100,000
HOURS

UL
LISTED

CLICK
FOR FAQ'S

JOB NAME _____

FIXTURE TYPE _____

MEMO _____

BUILD A PART NUMBER

ORDERING EXAMPLE: **PT-SL660-12L40T5-MDL018-SV1-MOTI-FHD-BLOC/450P4-12-188/UGMT**

Mounting Config.	Fixture	LED	CCT	Type	Driver	Lens	Option Control Receptacle	Option Control	Option Motion Sensor	Option Fuse	Option House Side Shield	Arm See Arm Spec Sheets	Pole See Pole Spec Sheets	Finish

Mounting Configuration

(Click here to link to mounting configuration specification page)

- 1W • 2A • 3A90 • 1AM
- PT • 2A90 • 3APT • 2AM
- 1A • 2APT • 4A
- 1APT • 3A • 4APT

W = Wall Mount A = Arm Mount AM = Arm Mid-Mount

Fixture

- SL660

LED

- 24L • 12L

CCT - Color Temperature (K)

- 27(00) • 30(00) • 40(00) • 50(00)

Distribution Type

- T2 • T3 • T4 • T5

Driver

- MDL018 (120V-277V, 180mA)
- MDH018 (347V-480V, 180mA)
- MDL014 (120V-277V, 140mA)
- MDH014 (347V-480V, 140mA)
- MDL008¹ (120V-277V, 80mA)
- MDH008¹ (347V-480V, 80mA)

¹ 12L system only.

Lens

- CA (Clear Acrylic)
- FG (Flat Glass)
- SA (Sag Acrylic)
- FFG (Frosted Flat Glass)
- SV1 (Flat Soft Vue Light Diffused Acrylic)
- SV2 (Flat Soft Vue Moderate Diffused Acrylic)
- SV4 (Flat Soft Vue Maximum Diffused Acrylic)
- SV1SA (Soft Vue Light Diffused Sag Acrylic)
- SV2SA (Soft Vue Moderate Diffused Sag Acrylic)
- SV4SA (Soft Vue Maximum Diffused Sag Acrylic)

Options (Click here to view accessories sheet)

- R 3-Pin control receptacle only
- R5 5-Pin control receptacle only
- R7 7-Pin control receptacle only
- PE² Twist-Lock Photocontrol (120V-277V)
- PE³ Twist-Lock Photocontrol (347V)

- PE⁴ Twist-Lock Photocontrol (480V)
- SC² Shorting Cap
- PEC Electronic Button Photocontrol (120V-277V)
- PEC⁴ Electronic Button Photocontrol (480V)
- MOT³ 360° lens, maximum coverage 40' diameter from 20' height
- MOT² 360° lens, maximum coverage 70' diameter from 20' height
- FHD⁴ Double Fuse and Holder
- HSS 120° House Side Shield
- BLOC Back Light Optical Control

² Requires control receptacle

³ Requires flat acrylic lens (CA, SV1, SV2 or SV4)

⁴ Ships loose for installation in base

Arm (Click here to view arm website page)

See Arms & Wall Brackets specification sheets.

- 480 • 80 • EU1 • OMS
- 62 • VCS • VFS • VLS

Pole (Click here to link to pole specification page)

See Pole specification sheets.

Finish

Standard Urban Finishes (Click here to view paint finish sheet)

- UGMT Gun Metal Textured
- UGM Gun Metal Matte
- UBT Urban Bronze Textured
- UB Urban Bronze Matte
- ULBT Urban Light Bronze Textured
- ULB Urban Light Bronze Matte
- USLT Urban Silver Textured
- USL Urban Silver Matte
- UWHT Urban White Textured
- UWH Urban White Matte
- UCHS Urban Champagne Satin Smooth
- BKT Black Textured

Custom Urban Finishes⁵

- CM Custom Match

⁵ Smooth finishes are available upon request.

Specifications

Fixture

The medium scale Solana® SL660 post-top Luminaire's modern geometric design complements a diverse assortment of contemporary

architectural settings. Its urbanesque yoke design offers not only aesthetic beauty, durability and optical efficiency, but takes street, area, and medium mount lighting to another level. The Solana® SL660 is well suited for all roadway, site and pedestrian environments. Our convective AAD™ "Advanced Air-flow Dynamics" maximizes heat sink expulsion to deliver unsurpassed thermal management for long-life LED performance and energy efficiency. The cast aluminum slipfitter slips a 3" OD x 3" tall tenon. The luminaire shall be UL listed in US and Canada.

LEDs

The luminaire shall use high output, high brightness LED's. They shall be mounted in arrays, on printed circuit boards designed to maximize heat transfer to the heat sink surface. The arrays shall be roof mounted to minimize up-light. The LED's and printed circuit boards shall be 100% recyclable; they shall also be protected from moisture and corrosion by a conformal coating. They shall not contain lead, mercury or any other hazardous substances and shall be RoHS compliant. The LED life rating data shall be determined in accordance with IESNA LM-80. The High Performance white LED's will have a life expectancy of approximately 100,000 hours with not less than 70% of original brightness (lumen maintenance), rated at 25°C. The High Brightness, High Output LED's shall be 4000K (2700K, 3000K or 5000K option) color temperature with a minimum CRI of 70. Consult factory for custom color CCT. The luminaire shall have a minimum _____ (see table) delivered initial lumen rating when operated at steady state with an average ambient temperature of 25°C (77°F).

Optics

The luminaire shall be provided with refractor type optics applied to each LED array. The luminaire shall provide Type ____ (2, 3, 4 or 5) light distribution per the IESNA classifications. Testing shall be done in accordance with IESNA LM-79.

See next page

BLOC Optic: An optional "Back Light Optical Control" shield can be provided at the factory. This is an internal optic level "House Side Shield" offering significantly reduced backlight and glare while maintaining the original design aesthetics of the luminaire.

Electronic Drivers

The LED driver shall be U.L. Recognized. It shall be securely mounted inside the fixture, for optimized performance and longevity. It shall be supplied with a quick-disconnect electrical connector on the power supply, providing easy power connections and fixture installation. It shall have overload, overheat and short circuit protection, and have a DC voltage output, constant current design, 50/60HZ. It shall be supplied with line-ground, line-neutral and neutral-ground electrical surge protection in accordance with IEEE/ANSI C62.41.2 guidelines. It shall be a high efficiency driver with a THD less than 20% and a high power factor greater than .9. It shall be dimming capable using a 0-10v signal, consult factory for more information.

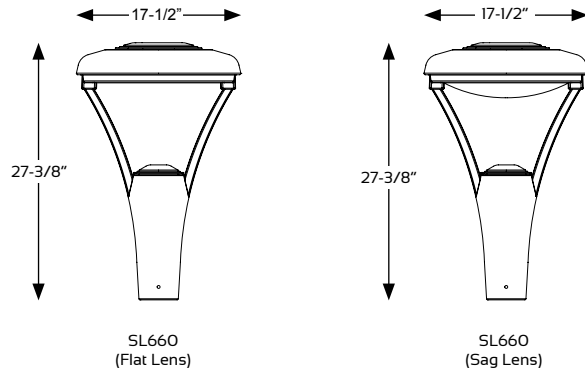
Warranty

Seven-year limited warranty. See product and finish warranty guide for details.

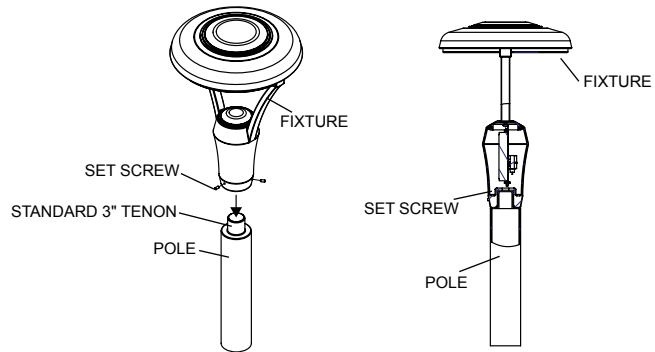
Finish

Refer to website for details.

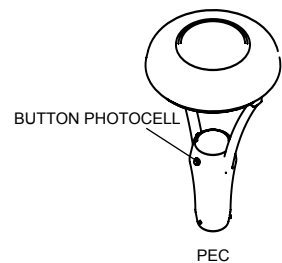
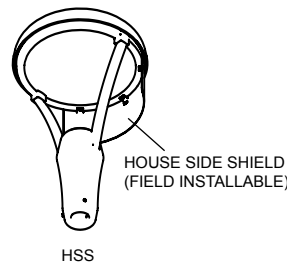
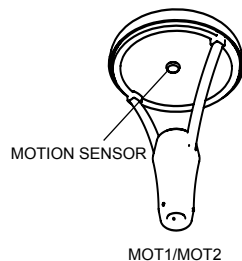
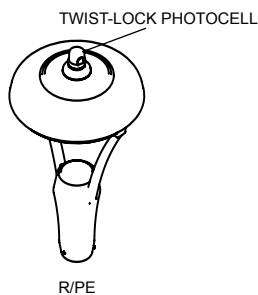
Fixtures



Mounting Details



Options



SL660 SOLANA SERIES

LED

Performance (Based on CA Lens)

MODEL #	T2 DELIVERED LUMENS	EFFICACY (LPW)	T3 DELIVERED LUMENS	EFFICACY (LPW)	T4 DELIVERED LUMENS	EFFICACY (LPW)	T5 DELIVERED LUMENS	EFFICACY (LPW)	WATTS
24L40T_-MDL018	11375	95.6	11480	96.5	11140	93.6	11500	96.6	119
24L30T_-MDL018	10845	91.1	10945	92.0	10620	89.2	10965	92.1	119
24L27T_-MDL018	9805	82.4	9895	83.2	9605	80.7	9915	83.3	119
24L40T_-MDL014	9205	102.3	9290	103.2	9010	100.1	9330	103.7	90
24L30T_-MDL014	8775	97.5	8860	98.4	8590	95.4	8895	98.8	90
24L27T_-MDL014	7935	88.2	8010	89.0	7765	86.3	8045	89.4	90
12L40T_-MDL018	5845	95.8	5900	96.7	5675	93.0	5750	94.3	61
12L30T_-MDL018	5575	91.4	5625	92.2	5410	88.7	5480	89.8	61
12L27T_-MDL018	5040	82.6	5085	83.4	4890	80.2	4955	81.2	61
12L40T_-MDL014	4760	101.3	4825	102.7	4615	98.2	4710	100.2	47
12L30T_-MDL014	4540	96.6	4600	97.9	4400	93.6	4490	95.5	47
12L27T_-MDL014	4105	87.3	4160	88.5	3980	84.7	4060	86.4	47
12L40T_-MDL008	2885	106.9	2920	108.1	2790	103.3	2850	105.6	27
12L30T_-MDL008	2750	101.9	2785	103.1	2660	98.5	2715	100.6	27
12L27T_-MDL008	2485	92.0	2515	93.1	2405	89.1	2455	90.9	27