



# SL610 SOLANA SERIES

LED

EPA .9 (ft <sup>2</sup> ) WEIGHT 30 LBS	7 YEAR WARRANTY 	LUMEN RANGE 2,820 to 14,020	LIFE SPAN L70 MINIMUM 100,000 HOURS	UL LISTED 	CLICK FOR FAQ'S 	IP RATING 
--	------------------------	--------------------------------------	---	------------------	------------------------	---------------

JOB NAME \_\_\_\_\_

FIXTURE TYPE \_\_\_\_\_

MEMO \_\_\_\_\_

## BUILD A PART NUMBER

ORDERING EXAMPLE: **SM-36"** -SL610-12L40T5-MDLO18-SV1-MOTI-FHD/UGMT

Mounting Config.	Fixture	LED	CCT	Type	Driver	Lens	Option Control	Option Motion Sensor	Option Fuse	Option House Side Shield	Finish

### Mounting Configuration

- SM<sup>1</sup>
- SM = Stem Mount
- <sup>1</sup> Include overall drop length in inches (IE: SM-48") (17" Minimum drop)

### Fixture

- SL610

### LED

- 24L      • 12L

### CCT - Color Temperature (K)

- 27(00)   • 30(00)   • 40(00)   • 50(00)

### Distribution Type

- T2      • T3      • T4      • T5

### Driver

- MDLO18 (120V-277V, 180mA)
- MDHO18 (347V-480V, 180mA)
- MDLO14 (120V-277V, 140mA)
- MDHO14 (347V-480V, 140mA)
- MDLO08<sup>2</sup> (120V-277V, 80mA)
- MDHO08<sup>2</sup> (347V-480V, 80mA)

<sup>2</sup> 12L system only.

### Lens

- CA (Clear Acrylic)
- FG (Flat Glass)
- SA (Sag Acrylic)
- FFG (Frosted Flat Glass)
- SV1 (Flat Soft Vue Light Diffused Acrylic)
- SV2 (Flat Soft Vue Moderate Diffused Acrylic)
- SV4 (Flat Soft Vue Maximum Diffused Acrylic)
- SV1SA (Soft Vue Light Diffused Sag Acrylic)
- SV2SA (Soft Vue Moderate Diffused Sag Acrylic)
- SV4SA (Soft Vue Maximum Diffused Sag Acrylic)

### Options (Click here to view accessories sheet)

- PEC Electronic Button Photocontrol (120V-277V)
- PEC4 Electronic Button Photocontrol (480V)
- MOT<sup>3</sup> 360° lens, maximum coverage 40' diameter from 20' height
- MOT<sup>2</sup> 360° lens, maximum coverage 70' diameter from 20' height
- FHD<sup>4</sup> Double Fuse and Holder
- HSS External 120° House Side Shield

- BLOC Back Light Optical Control

<sup>3</sup> Requires FLAT acrylic lens  
<sup>4</sup> Ships loose for field installation by others

### Finish

Standard Urban Finishes (Click here to view paint finish sheet)

- UGMT Gun Metal Textured
- UGM Gun Metal Matte
- UBT Urban Bronze Textured
- UB Urban Bronze Matte
- ULBT Urban Light Bronze Textured
- ULB Urban Light Bronze Matte
- USLT Urban Silver Textured
- USL Urban Silver Matte
- UWHT Urban White Textured
- UWH Urban White Matte
- UCHS Urban Champagne Satin Smooth
- BKT Black Textured

### Custom Urban Finishes<sup>5</sup>

- CM Custom Match

<sup>5</sup> Smooth finishes are available upon request.

## Specifications

### Fixture

The medium scale Solana® SL610 Stem Mount Luminaire's stylish design is a perfect accent for urban settings. The subtle, yet sophisticated look enhances the impact of any project. The Solana's wide array of optics, lenses and distributions makes this an easy choice for a variety of commercial, institutional and municipal projects. The luminaire shall be UL listed in US and Canada.

### LEDs

The luminaire shall use high output, high brightness LED's. They shall be mounted in arrays, on printed circuit boards designed to maximize heat transfer to the heat sink surface. The arrays shall be roof mounted to minimize up-light. The LED's and printed circuit boards shall be 100% recyclable; they shall also be protected from moisture and corrosion by a conformal coating. They shall not contain lead, mercury or any other hazardous substances and shall be RoHS compliant. The LED life rating data shall be determined in accordance with IESNA LM-80. The High Performance white LED's will have a life expectancy of approximately 100,000 hours with not less than 70% of original brightness (lumen maintenance), rated at 25°C. The High Brightness, High Output LED's shall be 4000K (2700K, 3000K or 5000K option) color temperature with a minimum CRI of 70. Consult factory for custom color CCT. The luminaire shall have a minimum \_\_\_\_\_ (see table) delivered initial lumen rating when operated at steady state with an average ambient temperature of 25°C (77°F).

The luminaire shall be provided with refractor type optics applied to each LED array. The luminaire shall provide Type \_\_\_\_ (2, 3, 4 or 5) light distribution per the IESNA classifications. Testing shall be done in accordance with IESNA LM-79.

### Optics

The luminaire shall be provided with refractor type optics applied to each LED array. The luminaire shall provide Type \_\_\_\_ (2, 3, 4 or 5) light distribution per the IESNA classifications. Testing shall be done in accordance with IESNA LM-79.

**BLOC Optic:** An optional "Back Light Optical Control" shield can be provided at the factory. This is an internal optic level "House Side Shield" offering significantly reduced backlight and glare while maintaining the original design aesthetics of the luminaire.

### Electronic Drivers

The LED driver shall be U.L. Recognized. It shall be remotely mounted in the included ceiling canopy. It shall be supplied with a quick-disconnect electrical connector on the power supply, providing easy power connections and fixture installation. It shall have overload, overheat and short circuit protection, and have a DC voltage output, constant current design, 50/60HZ. It shall be supplied with line-ground, line-neutral and neutral-ground electrical surge protection in accordance with IEEE/ANSI C62.41.2 guidelines. It shall be a high efficiency driver with a THD less than 20% and a high power factor greater than .9. It shall be dimming capable using a 0-10v signal, consult factory for more information.

See next page

## Photocontrols

**Button Style:** The photocontrol shall be mounted on the ceiling canopy and pre-wired to driver. The electronic button type photocontrol is instant on with a 5-10 second turn off, and shall turn on at 1.5 footcandles with a turn-off at 2-3 footcandles. Photocontrol is 120-277 volt and warranted for 6 years.

**Twist-Lock Style:** The photocontrol shall be mounted externally on the fixture and pre-wired to driver. The twist lock type photocontrol is instant on with a 3-6 second turn off, and shall turn on at 1.5 footcandles with a turn-off at 2-3 footcandles. Photocontrol is 120-277 volt and warranted for 6 years.

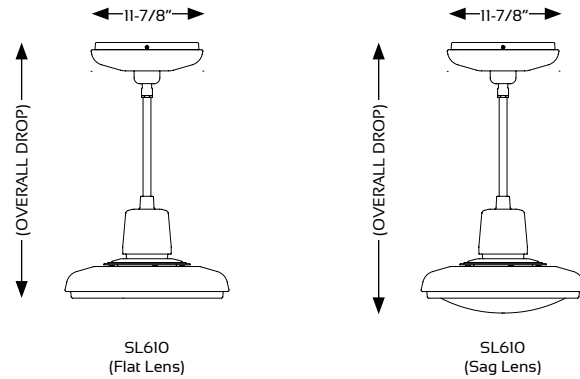
## Warranty

Seven-year limited warranty. See product and finish warranty guide for details.

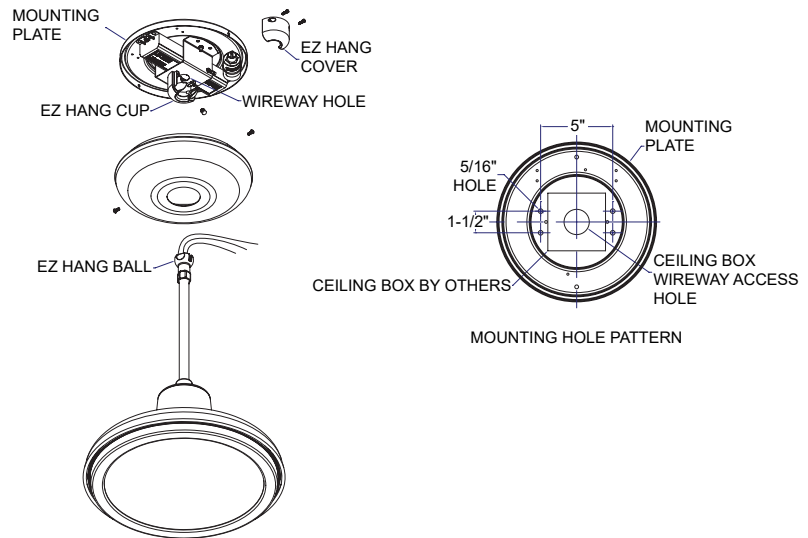
## Finish

Refer to website for details.

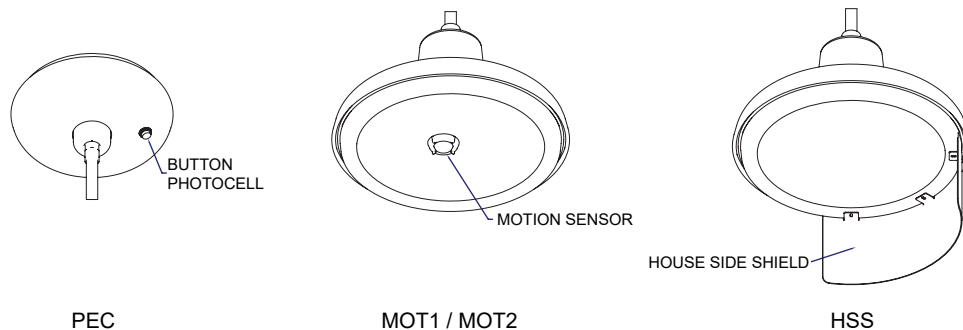
## Fixtures



## Mounting Details



## Options



## Performance (Based on CA Lens)

MODEL #	T2 LUMENS	BUG	EFFICACY (LPW)	T3 LUMENS	BUG	EFFICACY (LPW)	T4 LUMENS	BUG	EFFICACY (LPW)	T5 LUMENS	BUG	EFFICACY (LPW)	WATTS
24L40T_-MDL018	13815	B2U0G2	117.1	13895	B2U0G2	117.8	13345	B2U0G2	113.1	14020	B3U0G1	118.8	118
24L30T_-MDL018	13170	B2U0G2	111.6	13250	B2U0G2	112.3	12725	B2U0G2	107.8	13365	B3U0G1	113.3	118
24L27T_-MDL018	11910	B2U0G2	100.9	11980	B2U0G2	101.5	11505	B2U0G2	97.5	12085	B3U0G1	102.4	118
24L40T_-MDL014	11105	B2U0G2	126.2	11190	B2U0G2	127.2	10720	B2U0G2	121.8	11270	B3U0G1	128.1	88
24L30T_-MDL014	10590	B2U0G2	120.3	10670	B2U0G2	121.3	10220	B2U0G2	116.1	10745	B3U0G1	122.1	88
24L27T_-MDL014	9575	B2U0G2	108.8	9645	B2U0G2	109.6	9240	B2U0G2	105.0	9715	B3U0G1	110.4	88
12L40T_-MDL018	6905	B1U0G1	115.1	6945	B1U0G1	115.8	6635	B1U0G1	110.6	6985	B2U0G1	116.4	60
12L30T_-MDL018	6585	B1U0G1	109.8	6620	B1U0G1	110.3	6325	B1U0G1	105.4	6660	B2U0G1	111.0	60
12L27T_-MDL018	5955	B1U0G1	99.3	5985	B1U0G1	99.8	5720	B1U0G1	95.3	6020	B2U0G1	100.3	60
12L40T_-MDL014	5635	B1U0G1	122.5	5640	B1U0G1	122.6	5400	B1U0G1	117.4	5690	B2U0G1	123.7	46
12L30T_-MDL014	5375	B1U0G1	116.8	5375	B1U0G1	116.8	5150	B1U0G1	112.0	5425	B2U0G1	117.9	46
12L27T_-MDL014	4860	B1U0G1	105.7	4860	B1U0G1	105.7	4655	B1U0G1	101.2	4905	B2U0G1	106.6	46
12L40T_-MDL008	3405	B1U0G1	126.1	3425	B1U0G1	126.9	3270	B1U0G1	121.1	3440	B1U0G0	127.4	27
12L30T_-MDL008	3245	B1U0G1	120.2	3265	B1U0G1	120.9	3120	B1U0G1	115.6	3280	B1U0G0	121.5	27
12L27T_-MDL008	2935	B1U0G1	108.7	2955	B1U0G1	109.4	2820	B1U0G1	104.4	2965	B1U0G0	109.8	27