



SL610 SOLANA SERIES

LED

EPA
.9 (ft²)
WEIGHT
30 LBS

7 YEAR
WARRANTY

LUMEN
RANGE
2,735 to
12,810

LIFE SPAN
L70
MINIMUM
100,000
HOURS

UL
LISTED

CLICK
FOR FAQ'S

JOB NAME _____

FIXTURE TYPE _____

MEMO _____

BUILD A PART NUMBER

ORDERING EXAMPLE: **SM-36"** -SL610-12L40T5-MDLO18-SV1-MOTI-FHD/UGMT

Mounting Config.	Fixture	LED	CCT	Type	Driver	Lens	Option Control	Option Motion Sensor	Option Fuse	Option House Side Shield	Finish

Mounting Configuration

• SM¹
SM = Stem Mount

¹ Include overall drop length in inches (IE: SM-48") (17" Minimum drop)

Fixture

• SL610

LED

• 24L • 12L

CCT - Color Temperature (K)

• 27(00) • 30(00) • 40(00) • 50(00)

Distribution Type

• T2 • T3 • T4 • T5

Driver

- MDLO18 (120V-277V, 180mA)
- MDHO18 (347V-480V, 180mA)
- MDLO14 (120V-277V, 140mA)
- MDHO14 (347V-480V, 140mA)
- MDLO08² (120V-277V, 80mA)
- MDHO08² (347V-480V, 80mA)

² 12L system only.

Lens

- CA (Clear Acrylic)
- FG (Flat Glass)
- SA (Sag Acrylic)
- FFG (Frosted Flat Glass)
- SV1 (Flat Soft Vue Light Diffused Acrylic)
- SV2 (Flat Soft Vue Moderate Diffused Acrylic)
- SV4 (Flat Soft Vue Maximum Diffused Acrylic)
- SVISA (Soft Vue Light Diffused Sag Acrylic)
- SV2SA (Soft Vue Moderate Diffused Sag Acrylic)
- SV4SA (Soft Vue Maximum Diffused Sag Acrylic)

Options (Click here to view accessories sheet)

- PEC Electronic Button Photocontrol (120V-277V)
- PEC4 Electronic Button Photocontrol (480V)
- MOT³ 360° lens, maximum coverage 40' diameter from 20' height
- MOT²³ 360° lens, maximum coverage 70' diameter from 20' height
- FHD⁴ Double Fuse and Holder
- HSS External 120° House Side Shield

- BLOC Internal optic level House Side Shield

³ Requires FLAT acrylic lens

⁴ Ships loose for field installation by others

Finish

Standard Urban Finishes (Click here to view paint finish sheet)

- UGMT Gun Metal Textured
- UGM Gun Metal Matte
- UBT Urban Bronze Textured
- UB Urban Bronze Matte
- ULBT Urban Light Bronze Textured
- ULB Urban Light Bronze Matte
- USLT Urban Silver Textured
- USL Urban Silver Matte
- UWHT Urban White Textured
- UWH Urban White Matte
- UCHS Urban Champagne Satin Smooth
- BKT Black Textured

Custom Urban Finishes⁵

- CM Custom Match

⁵ Smooth finishes are available upon request.

Specifications

Fixture

The medium scale Solana® SL610 Stem Mount Luminaire's stylish design is a perfect accent for urban settings. The subtle, yet sophisticated look enhances the impact of any project. The Solana's wide array of optics, lenses and distributions makes this an easy choice for a variety of commercial, institutional and municipal projects. The luminaire shall be UL listed in US and Canada.

LEDs

The luminaire shall use high output, high brightness LED's. They shall be mounted in arrays, on printed circuit boards designed to maximize heat transfer to the heat sink surface. The arrays shall be roof mounted to minimize up-light. The LED's and printed circuit boards shall be 100% recyclable; they shall also be protected from moisture and corrosion by a conformal coating. They shall not contain lead, mercury or any other hazardous substances and shall be RoHS compliant. The LED life rating data shall be determined in accordance with IESNA LM-80. The High Performance white LED's will have a life expectancy of approximately 100,000 hours with not less than 70% of original brightness (lumen maintenance), rated at 25°C. The High Brightness, High Output LED's shall be 4000K (2700K, 3000K or 5000K option) color temperature with a minimum CRI of 70. Consult factory for custom color CCT. The luminaire shall have a minimum _____ (see table) delivered initial lumen rating when operated at steady state with an average ambient temperature of 25°C (77°F).

The luminaire shall be provided with refractor type optics applied to each LED array. The luminaire shall provide Type ____ (2, 3, 4 or 5) light distribution per the IESNA classifications. Testing shall be done in accordance with IESNA LM-79.

Optics

The luminaire shall be provided with refractor type optics applied to each LED array. The luminaire shall provide Type ____ (2, 3, 4 or 5) light distribution per the IESNA classifications. Testing shall be done in accordance with IESNA LM-79.

BLOC Optic: An optional "Back Light Optical Control" shield can be provided at the factory. This is an internal optic level "House Side Shield" offering significantly reduced backlight and glare while maintaining the original design aesthetics of the luminaire.

Electronic Drivers

The LED driver shall be U.L. Recognized. It shall be remotely mounted in the included ceiling canopy. It shall be supplied with a quick-disconnect electrical connector on the power supply, providing easy power connections and fixture installation. It shall have overload, overheat and short circuit protection, and have a DC voltage output, constant current design, 50/60HZ. It shall be supplied with line-ground, line-neutral and neutral-ground electrical surge protection in accordance with IEEE/ANSI C62.41.2 guidelines. It shall be a high efficiency driver with a THD less than 20% and a high power factor greater than .9. It shall be dimming capable using a 0-10v signal, consult factory for more information.

See next page

Photocontrols

Button Style: The photocontrol shall be mounted on the ceiling canopy and pre-wired to driver. The electronic button type photocontrol is instant on with a 5-10 second turn off, and shall turn on at 1.5 footcandles with a turn-off at 2-3 footcandles. Photocontrol is 120-277 volt and warranted for 6 years.

Twist-Lock Style: The photocontrol shall be mounted externally on the fixture and pre-wired to driver. The twist lock type photocontrol is instant on with a 3-6 second turn off, and shall turn on at 1.5 footcandles with a turn-off at 2-3 footcandles. Photocontrol is 120-277 volt and warranted for 6 years.

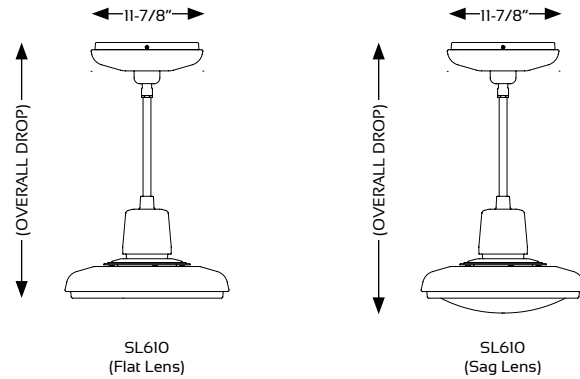
Warranty

Seven-year limited warranty. See product and finish warranty guide for details.

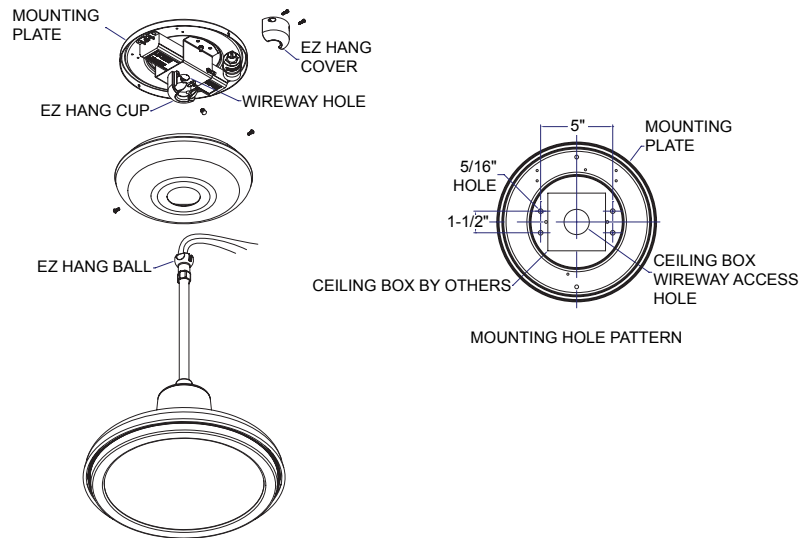
Finish

Refer to website for details.

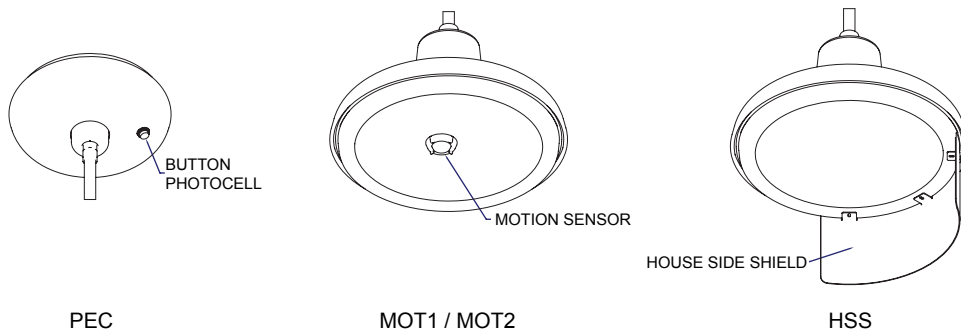
Fixtures



Mounting Details



Options



SL610 SOLANA SERIES

LED

Performance (Based on CA Lens)

MODEL #	T2 DELIVERED LUMENS	EFFICACY (LPW)	T3 DELIVERED LUMENS	EFFICACY (LPW)	T4 DELIVERED LUMENS	EFFICACY (LPW)	T5 DELIVERED LUMENS	EFFICACY (LPW)	WATTS
24L40T_-MDL018	12705	105.9	12810	106.8	12340	102.8	12770	106.4	120
24L30T_-MDL018	12115	101.0	12215	101.8	11765	98.0	12175	101.5	120
24L27T_-MDL018	10955	91.3	11045	92.0	10640	88.7	11010	91.8	120
24L40T_-MDL014	10700	118.9	10760	119.6	10330	114.8	10785	119.8	90
24L30T_-MDL014	10200	113.3	10260	114.0	9850	109.4	10285	114.3	90
24L27T_-MDL014	9225	102.5	9275	103.1	8905	98.9	9295	103.3	90
12L40T_-MDL018	6515	108.6	6600	110.0	6355	105.9	6565	109.4	60
12L30T_-MDL018	6210	103.5	6295	104.9	6060	101.0	6260	104.3	60
12L27T_-MDL018	5615	93.6	5690	94.8	5480	91.3	5660	94.3	60
12L40T_-MDL014	5345	113.7	5405	115.0	5205	110.7	5355	113.9	47
12L30T_-MDL014	5095	108.4	5155	109.7	4965	105.6	5105	108.6	47
12L27T_-MDL014	4610	98.1	4660	99.1	4485	95.4	4615	98.2	47
12L40T_-MDL008	3265	120.9	3290	121.9	3175	117.6	3265	120.9	27
12L30T_-MDL008	3115	115.4	3135	116.1	3025	112.0	3115	115.4	27
12L27T_-MDL008	2815	104.3	2835	105.0	2735	101.3	2815	104.3	27