



# SOLANA® SL360

<b>UL LISTED</b> 	<b>RATED IP65</b> 	<b>CCT OPTIONS</b> 2700 3500 4500	<b>LIFE SPAN</b> L70 100,000 HOURS OR MORE	<b>7 YEAR WARRANTY ON ELECTRONICS</b> 	<b>LUMEN OUTPUT</b> 2280 to 5325
----------------------	-----------------------	--	---	---	--

PROJECT: \_\_\_\_\_

TYPE: \_\_\_\_\_

## ORDERING EXAMPLE: PT8-SL360-FG-26L45T5-F-MDL03-PEC-FHD/UBKT

		SL360												
MOUNTING CONFIG.	HEIGHT (H) FT <sup>1</sup>	SERIES	LENS	NO. OF LEDS	COLOR TEMP K	DISTRIBUTION TYPE	DISTRIBUTION ORIENTATION	DRIVER	BUTTON PHOTO-CELL	GROUND FAULT BREAKER	DUAL FUSE & HOLDER	ROUND POLE ADAPTER	COLOR	
BL	2	Outdoor Ground, Pole, Post Top or Wall Mounted Luminaire	FG	26L	27(00)K	T2	F	MDL03	OPTIONS				UGMT	UGM
PB <sup>2</sup>	3		FPG		30(00)K	T3	R	MDL05	PEC	GFI LPIUC <sup>2</sup>	FHD <sup>3</sup>	RP45 <sup>4</sup>	UBT	UB
PM <sup>2</sup>	4		CA		35(00)K	T3R		MDL07	PEC4				ULBT	ULB
PT	5		SV1		40(00)K	T4		MDH03					USLT	USL
WM <sup>2</sup>	6		SV2			T5		MDH05					UWHT	UWH
	7							MDH07					UCHS	BKT
	8													

<sup>1</sup>PB = 2 BL = 3, 4 PT = 5, 6, 7, 8, not needed for WM or PM <sup>2</sup>GFI not available with PB, PM, or WM <sup>3</sup>Ships loose in base. <sup>4</sup>For PM mounting only.

## Product Specs

### Optical

- Full-cutoff. IP65 rated optic module.
- Available in IES Type 2, 3, 3R, 4 and 5 distributions.
- Utilizes high output, high brightness LEDs.
- Typical CRI of 70, CCT 2700, 3000, 3500 and 4000K. Call factory for custom CCT.
- LM-79 and LM-80 tests in accordance with IESNA standards.
- Lumen depreciation rating L70 > 100,000 hours, projected per TM-21 guideline using 700mA drive current at 25°C ambient.
- RoHS Compliant.

### Electrical

- 120-277 volt and 347-480 volt available.
- Minimum driver power factor: >0.9.
- Electrical surge protection in accordance with IEEE/ANSI C62.41.2 guidelines.
- UL listed in U.S. and Canada.

### Mechanical

- Cast aluminum heat sink, arms, lens cover, heat sink cover, housing top cover and housing/fitter.
- AAD™ "Advanced Air-flow Dynamics" maximizes heat sink expulsion.

### Controls

- **PEC:** Electronic Button Photocell (120v-277v)
- **PEC4:** Electronic Button Photocell (480v)

### Finish

- Durable, color retentive powder coat finish.

### Ground Fault Breaker

- **GFI LPIUC:** Optional 15A Duplex GFCI receptacle with a low profile in-use cover

### Warranty & Standards

LED Systems and Drivers - 7 years.  
All fixtures shall be free from all defects in materials and workmanship for a period of 7 years from the date of manufacture. The luminaire manufacturer shall warrant the LED boards/system, during the stated warranty period, against failure defined as more than 10 percent of non-operating LEDs.

### Drivers (0-10V dimming):

- **MDL03:** 350mA, 120-277V
- **MDL05:** 525mA, 120-277V
- **MDL07:** 700mA, 120-277V
- **MDH03\*:** 350mA, 347-480V
- **MDH05:** 525mA, 347-480V
- **MDH07:** 700mA, 347-480V

\*Requires step down transformer

### Lens:

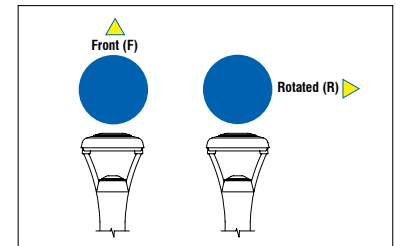
- FG** - Anti-Reflectance Flat Glass
- FPG** - Frosted Flat Glass
- CA** - Clear Flat Acrylic

### Soft Vue:

- SV1\*** - Flat Diffuse Acrylic Lens
- SV2\*\*** - Flat Diffuse Acrylic Lens

\*Provides moderate reduction in Brightness while only a minimal reduction in lumen output. \*\*Provides maximum reduction in Brightness while only a nominal reduction in lumen output. Consult photometric files for exact lumen performance as percentages noted are averages.

### Distribution Orientation:



### Round Pole Adapter:

**RP45:** For 4" - 5" Pole Diameters  
Required for round poles

### Colors:

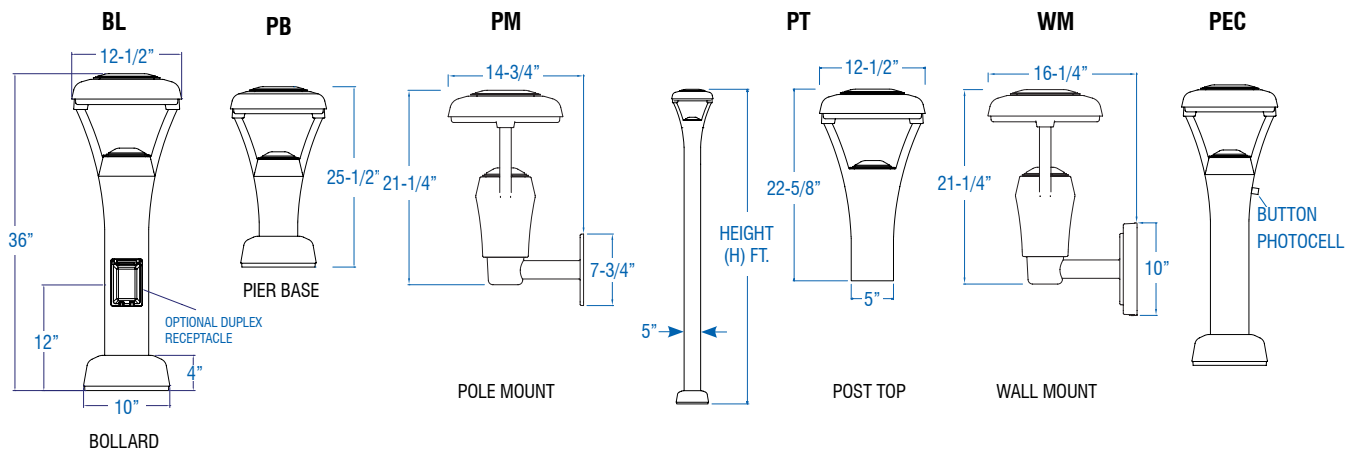
- UGMT** - Urban Gun Metal Textured
- UBT** - Urban Bronze Textured
- ULBT** - Urban Light Bronze Textured
- USLT** - Urban Silver Textured
- UWHT** - Urban White Textured
- UCHS** - Urban Champagne Satin Smooth
- UGM** - Urban Gun Metal Matte
- UB** - Urban Bronze Matte
- ULB** - Urban Light Bronze Matte
- USL** - Urban Silver Matte
- UWH** - Urban White Matte
- BKT** - Black Textured

## Performance (Based on FG Lens)

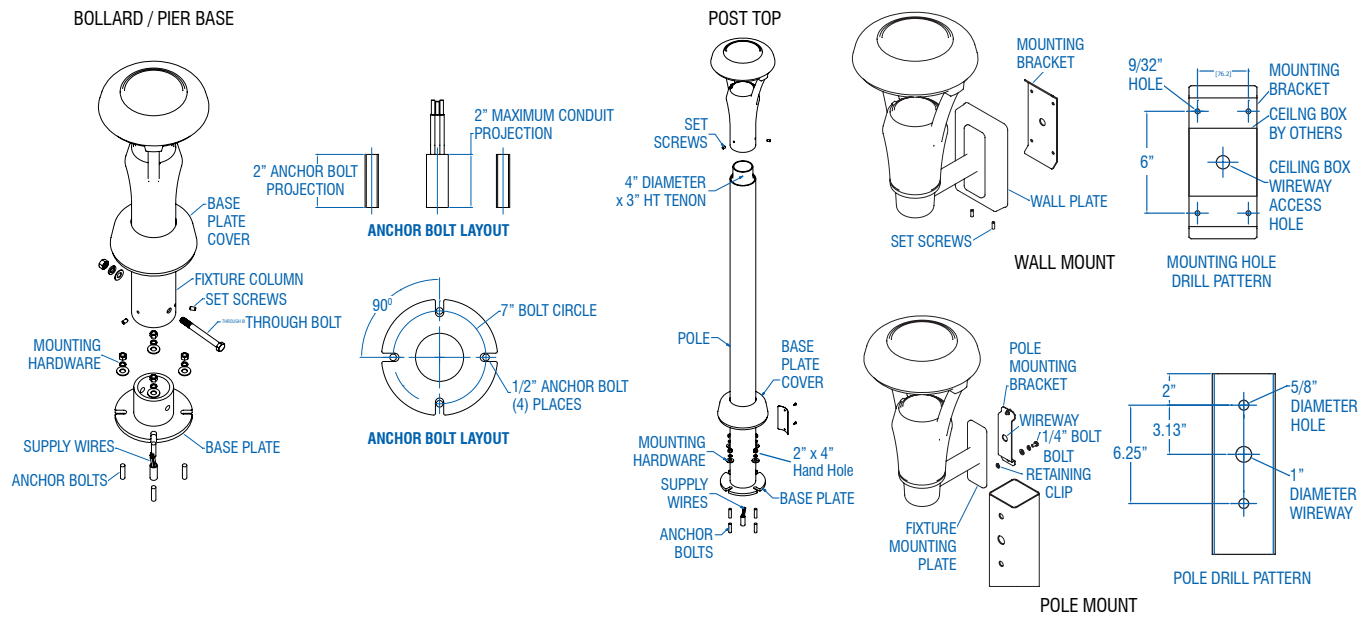
MODEL #	T2 LUMENS	BUG	EFFICACY (LPW)	T3 LUMENS	BUG	EFFICACY (LPW)	T3R LUMENS	BUG	EFFICACY (LPW)	T4 LUMENS	BUG	EFFICACY (LPW)	T5 LUMENS	BUG	EFFICACY (LPW)	WATTS
26L45T - MDL07	5000	B2U0G2	80.6	4880	B2U0G2	78.7	5035	B2U0G2	81.2	5250	B1U0G2	84.7	5325	B3U0G3	85.9	62
26L35T - MDL07	4695	B2U0G2	75.7	4585	B2U0G2	74.0	4730	B2U0G2	76.3	4930	B1U0G2	79.5	5000	B3U0G3	80.6	62
26L27T - MDL07	4120	B2U0G2	66.5	4025	B2U0G2	64.9	4150	B2U0G2	66.9	4330	B1U0G2	69.8	4390	B3U0G3	70.8	62
26L45T - MDL05	4005	B2U0G2	87.1	3900	B2U0G2	84.8	4025	B1U0G1	87.5	4185	B1U0G1	91.0	4250	B2U0G2	92.4	46
26L35T - MDL05	3760	B2U0G2	81.7	3665	B2U0G2	79.7	3780	B1U0G1	82.2	3930	B1U0G1	85.4	3990	B2U0G2	86.7	46
26L27T - MDL05	3300	B2U0G2	71.7	3215	B2U0G2	69.9	3320	B1U0G1	72.2	3450	B1U0G1	75.0	3505	B2U0G2	76.2	46
26L45T - MDL03	2845	B1U0G1	94.8	2765	B1U0G1	92.2	2855	B1U0G1	95.2	2965	B1U0G1	98.8	3015	B2U0G2	100.5	30
26L35T - MDL03	2670	B1U0G1	89.0	2595	B1U0G1	86.5	2680	B1U0G1	89.3	2785	B1U0G1	92.8	2830	B2U0G2	94.3	30
26L27T - MDL03	2345	B1U0G1	78.2	2280	B1U0G1	76.0	2355	B1U0G1	78.5	2445	B1U0G1	81.5	2485	B2U0G2	82.8	30

## Product Dimensions & Features

## Other Options



# Mounting Configurations

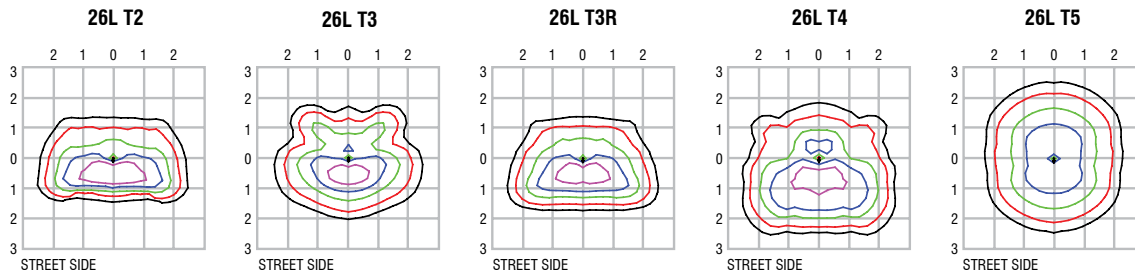


## EPA and Weight

SL360	EPA	WT
BL	1.5 SQ. FT.	28.6 LBS. (3 FT. HT.)
PB	1.2 SQ. FT.	25.3 LBS.
PM	0.7 SQ. FT.	20.3 LBS.

SL360	EPA	WT
PT	0.7 SQ. FT.	18.5 LBS. (FIXTURE ONLY)
WM	0.8 SQ. FT.	22.9 LBS.

## ISO Footcandle Plots



All published luminaire photometric testing performed to IESNA LM-79 standards by a NVLAP accredited laboratory. ISO footcandle plots demonstrate the SOLANA® SL360 light patterns only. Not for total fixture output. For complete specifications and IES files, see website.