



SL300 - SL302 SOLANA SERIES BOLLARD

LED BOLLARDS

DIMENSIONS
3' to 8' TALL

7 YEAR WARRANTY



LUMEN RANGE
425 to 8,570

LIFE SPAN
L70
MINIMUM
100,000
HOURS

UL LISTED



CLICK FOR FAQ'S



IP RATING



JOB NAME _____

FIXTURE TYPE _____

MEMO _____

BUILD A PART NUMBER

ORDERING EXAMPLE: **SL302-4-28L45T5-MDLO5-FG-PEC/BKT**

Model	Overall Height	LED	CCT	Type	Driver	Lens	Option Photocell	Option Fuse	Finish

Model

- SL300
- SL302

Overall Height (In Feet)

- ___' (Available from 3'-8')

LED

- 14L¹
- 28L
- 56L²

¹For use with SL300 only.
²For use with SL302 only.

CCT - Color Temperature (K)

- 27(00)
- 35(00)
- 45(00)

Type

- T2
- T3
- T3R
- T4
- T5

Driver

- MDLO1³ (120V-277V, 175mA)
- MDLO2³ (120V-277V, 200mA)
- MDLO3 (120V-277V, 350mA)
- MDLO5 (120V-277V, 525mA)
- MDHO1³ (347V-480V, 175mA)
- MDHO2³ (347V-480V, 200mA)
- MDHO3 (347V-480V, 350mA)
- MDHO5 (347V-480V, 525mA)

³Not available in 56L system.

Lens

- FG (Flat Glass)
- FFG (Frosted Flat Glass)
- CA (Clear Acrylic)

Options (Click here to view paint options sheet)

- PEC Electronic Button Photocontrol (120V-277V)
- PEC4 Electronic Button Photocontrol (480V)
- FHD⁴ Double Fuse and Holder

⁴Ships loose for installation in base.

Finish

Sternberg Urban Finishes

(Click here to view paint finish sheet)

- UGMT Gun Metal Textured
- UGM Gun Metal Matte
- UBT Urban Bronze Textured
- UB Urban Bronze Matte
- ULBT Urban Light Bronze Textured
- ULB Urban Light Bronze Matte
- USLT Urban Silver Textured
- USL Urban Silver Matte
- UWHT Urban White Textured
- UWH Urban White Matte
- UCHS Urban Champagne Satin Smooth
- BKT Black Textured

Custom Finishes⁵

- CM Custom Match

⁵Custom colors require upcharge.

Specifications

General

The Bollards are perfectly matched to the Solana pole, and wall mount product family. Curved lines and subtle shape give the Solana family the ability to bring harmony to contemporary projects. The unique single (SL300) and double head (SL302) designs offer a wide range of light distribution options and intensities that will fit any site or architecture. The bollard shall be UL listed in US and Canada.

Construction

The Bollard appoints single or double sided LED head(s) on (2) vertical extruded aluminum 3" square supports. The LED head(s) includes AAD™ technology (Advanced Air-flow Dynamics) which maximizes heat sink expulsion. The vertical supports end with a cast aluminum baseplate which is covered by a cast aluminum base cover.

LED's

The luminaire shall use high output, high brightness LED's. They shall be mounted in arrays, on printed circuit boards designed to maximize heat transfer to the heat sink surface. The arrays shall be roof mounted to minimize up-light. The LED's and printed circuit boards shall be 100% recyclable; they shall also be protected from moisture and corrosion by a conformal coating of 1 to 3 mils. They shall not contain lead, mercury or any other hazardous substances and shall be RoHS compliant. The LED life rating data shall be determined in accordance with IESNA LM-80. The High Performance white LED's will have a life expectancy of approximately 100,000 hours with not less than 70% of original brightness (lumen maintenance), rated at 25°C. The High Brightness, High Output LED's shall be 4500K (3500K or 2700K option) color temperature with a minimum CRI of 70. Consult factory for custom color CCT. The luminaire shall have a minimum _____ (see table) delivered initial lumen rating when operated at steady state with an average ambient temperature of 25°C (77°F).

Optics

The luminaire shall be provided with individual, refractor type optics applied to each LED. The luminaire shall provide Type ____ (2, 3, 3R, 4 or 5) light distribution per the IESNA classifications. Testing shall be done in accordance with IESNA LM-79.

Electronic Driver

The LED driver shall be U.L. Recognized. It shall be securely mounted inside the bollard, for optimized performance and longevity. It shall be supplied with a quick-disconnect electrical connector on the power supply, providing
See next page

SL300 - SL302 SOLANA SERIES BOLLARD

LED BOLLARDS

easy power connections and fixture installation. It shall have overload, overheat and short circuit protection, and have a DC voltage output, constant current design, 50/60HZ. It shall be supplied with line-ground, line-neutral and neutral-ground electrical surge protection in accordance with IEEE/ANSI C62.41.2 guidelines. It shall be a high efficiency driver with a THD less than 20% and a high power factor greater than .9. It shall be dimming capable using a 0-10v signal, consult factory for more information.

Installation

Four 1/2" diameter, hot-dipped galvanized "L" type anchor bolts shall be provided with the bollard for anchorage, they shall be mounted in a 3-7/8" bolt circle. The bollard will be provided with a slipping base cover which shall be secured with tamper proof stainless steel hardware, the baseplate includes a grounding stud.

Photocell

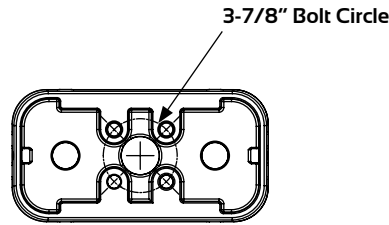
The photocontrol shall be mounted on the bollard. The electronic button type photocontrol is instant on with a 5-10 second turn off, and shall turn on at 1.5 footcandles with a turn-off at 2-3 footcandles. Photocontrol is 120-277 volt and warranted for 6 years.

Warranty

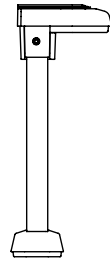
Seven-year limited warranty. See product and finish warranty guide for details.

Finish

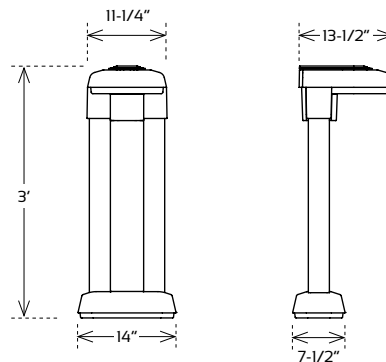
Refer to website for details.



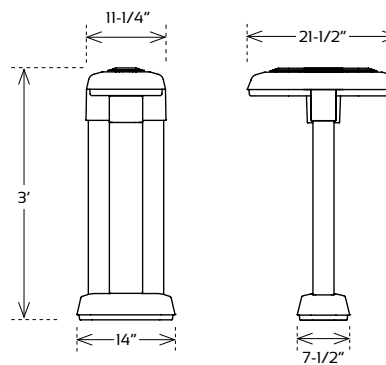
Baseplate
(Not to Scale)



PEC
Optional Photocell



SL300-3



SL302-3



SternbergLighting

ESTABLISHED 1923 / EMPLOYEE OWNED

800-621-3376
555 Lawrence Ave., Roselle, IL 60172
info@sternberglighting.com
www.sternberglighting.com

8/18 STERNBERG LIGHTING. ALL RIGHTS RESERVED. PRINTED IN THE USA.

SL300 - SL302 SOLANA SERIES BOLLARD

LED BOLLARDS

Performance SL300 (Based on FG lens)

Model #	T2 DELIVERED LUMENS	EFFICACY (LPW)	T3 DELIVERED LUMENS	EFFICACY (LPW)	T3R DELIVERED LUMENS	EFFICACY (LPW)	T4 DELIVERED LUMENS	EFFICACY (LPW)	T5 DELIVERED LUMENS	EFFICACY (LPW)	WATTAGE
28L45T_-MDL05	4390	89.6	3985	81.3	4215	86.0	4130	84.3	3615	73.8	49
28L35T_-MDL05	4125	84.2	3745	76.4	3960	80.8	3880	79.2	3395	69.3	49
28L27T_-MDL05	3620	73.9	3285	67.0	3475	70.9	3405	69.5	2980	60.8	49
28L45T_-MDL03	3250	98.5	2860	86.7	3020	91.5	2960	89.7	2720	82.4	33
28L35T_-MDL03	3050	92.4	2685	81.4	2835	85.9	2780	84.2	2555	77.4	33
28L27T_-MDL03	2680	81.2	2360	71.5	2490	75.5	2440	73.9	2240	67.9	33
14L45T_-MDL05	2255	86.7	2055	79.0	2215	85.2	2225	85.6	1840	70.8	26
14L35T_-MDL05	2120	81.5	1930	74.2	2080	80.0	2090	80.4	1730	66.5	26
14L27T_-MDL05	1860	71.5	1695	65.2	1825	70.2	1835	70.6	1515	58.3	26
14L45T_-MDL03	1665	92.5	1465	81.4	1580	87.8	1590	88.3	1355	75.3	18
14L35T_-MDL03	1565	86.9	1375	76.4	1485	82.5	1495	83.1	1275	70.8	18
14L27T_-MDL03	1375	76.4	1210	67.2	1300	72.2	1310	72.8	1115	61.9	18
14L45T_-MDL02	950	86.4	865	78.6	935	85.0	940	85.5	775	70.5	11
14L35T_-MDL02	890	80.9	810	73.6	880	80.0	885	80.5	730	66.4	11
14L27T_-MDL02	785	71.4	715	65.0	770	70.0	775	70.5	640	58.2	11
14L45T_-MDL01	525	75.0	480	68.6	515	73.6	520	74.3	425	60.7	7
14L35T_-MDL01	495	70.7	450	64.3	485	69.3	490	70.0	400	57.1	7
14L27T_-MDL01	435	62.1	395	56.4	425	60.7	430	61.4	350	50.0	7

SL300 - SL302 SOLANA SERIES BOLLARD

LED BOLLARDS

Performance SL302 (Based on FG lens)

Model #	T2 DELIVERED LUMENS	EFFICACY (LPW)	T3 DELIVERED LUMENS	EFFICACY (LPW)	T3R DELIVERED LUMENS	EFFICACY (LPW)	T4 DELIVERED LUMENS	EFFICACY (LPW)	T5 DELIVERED LUMENS	EFFICACY (LPW)	WATTAGE
56L45T_-MDL05	8570	88.4	7805	80.5	8210	84.6	8100	83.5	7125	73.5	97
56L35T_-MDL05	8050	83.0	7330	75.6	7710	79.5	7605	78.4	6690	69.0	97
56L27T_-MDL05	7065	72.8	6435	66.3	6770	69.8	6675	68.8	5875	60.6	97
56L45T_-MDL03	6185	96.6	5610	87.7	5900	92.2	5820	90.9	5130	80.2	64
56L35T_-MDL03	5810	90.8	5270	82.3	5540	86.6	5465	85.4	4820	75.3	64
56L27T_-MDL03	5100	79.7	4625	72.3	4865	76.0	4800	75.0	4230	66.1	64
28L45T_-MDL05	4440	88.8	4020	80.4	4295	85.9	4345	86.9	3630	72.6	50
28L35T_-MDL05	4170	83.4	3775	75.5	4035	80.7	4080	81.6	3410	68.2	50
28L27T_-MDL05	3660	73.2	3315	66.3	3540	70.8	3580	71.6	2990	59.8	50
28L45T_-MDL03	3155	92.8	2850	83.8	3045	89.6	3080	90.6	2660	78.2	34
28L35T_-MDL03	2965	87.2	2675	78.7	2860	84.1	2895	85.1	2500	73.5	34
28L27T_-MDL03	2600	76.5	2350	69.1	2510	73.8	2540	74.7	2195	64.6	34
28L45T_-MDL02	1870	98.4	1695	89.2	1815	95.5	1830	96.3	1500	78.9	19
28L35T_-MDL02	1755	92.4	1590	83.7	1705	89.7	1720	90.5	1410	74.2	19
28L27T_-MDL02	1540	81.1	1395	73.4	1495	78.7	1510	79.5	1235	65.0	19
28L45T_-MDL01	1030	93.6	935	85.0	1000	90.9	1010	91.8	830	75.5	11
28L35T_-MDL01	965	87.7	880	80.0	940	85.5	950	86.4	780	70.9	11
28L27T_-MDL01	850	77.3	770	70.0	825	75.0	835	75.9	685	62.3	11