



SL300 - SL302 SOLANA SERIES BOLLARD

LED BOLLARDS

DIMENSIONS
3' to 8' TALL

7 YEAR WARRANTY



LUMEN RANGE
425 to 8,570

LIFE SPAN
L70 MINIMUM
100,000 HOURS

UL LISTED



CLICK FOR FAQ'S



IP RATING



JOB NAME _____

FIXTURE TYPE _____

MEMO _____

BUILD A PART NUMBER

ORDERING EXAMPLE: **SL302-4-28L45T5-MDLO5-FG-PEC/BKT**

Model	Overall Height	LED	CCT	Type	Driver	Lens	Option Photocell	Option Fuse	Finish

Model

- SL300
- SL302

Overall Height (In Feet)

- ___' (Available from 3'-8')

LED

- 14L¹
- 28L
- 56L²

¹For use with SL300 only.
²For use with SL302 only.

CCT - Color Temperature (K)

- 27(00)
- 35(00)
- 45(00)

Type

- T2
- T3
- T3R
- T4
- T5

Driver

- MDLO1³ (120V-277V, 175mA)
- MDLO2³ (120V-277V, 200mA)
- MDLO3 (120V-277V, 350mA)
- MDLO5 (120V-277V, 525mA)
- MDHO1³ (347V-480V, 175mA)
- MDHO2³ (347V-480V, 200mA)
- MDHO3 (347V-480V, 350mA)
- MDHO5 (347V-480V, 525mA)

³Not available in 56L system.

Lens

- FG (Flat Glass)
- FFG (Frosted Flat Glass)
- CA (Clear Acrylic)

Options (Click here to view paint options sheet)

- PEC Electronic Button Photocontrol (120V-277V)
- PEC4 Electronic Button Photocontrol (480V)
- FHD⁴ Double Fuse and Holder

⁴Ships loose for installation in base.

Finish

Sternberg Urban Finishes

(Click here to view paint finish sheet)

- UGMT Gun Metal Textured
- UGM Gun Metal Matte
- UBT Urban Bronze Textured
- UB Urban Bronze Matte
- ULBT Urban Light Bronze Textured
- ULB Urban Light Bronze Matte
- USLT Urban Silver Textured
- USL Urban Silver Matte
- UWHT Urban White Textured
- UWH Urban White Matte
- UCHS Urban Champagne Satin Smooth
- BKT Black Textured

Custom Finishes⁵

- CM Custom Match

⁵Custom colors require upcharge.

Specifications

General

The Bollards are perfectly matched to the Solana pole, and wall mount product family. Curved lines and subtle shape give the Solana family the ability to bring harmony to contemporary projects. The unique single (SL300) and double head (SL302) designs offer a wide range of light distribution options and intensities that will fit any site or architecture. The bollard shall be UL listed in US and Canada.

Construction

The Bollard appoints single or double sided LED head(s) on (2) vertical extruded aluminum 3" square supports. The LED head(s) includes AAD™ technology (Advanced Air-flow Dynamics) which maximizes heat sink expulsion. The vertical supports end with a cast aluminum baseplate which is covered by a cast aluminum base cover.

LED's

The luminaire shall use high output, high brightness LED's. They shall be mounted in arrays, on printed circuit boards designed to maximize heat transfer to the heat sink surface. The arrays shall be roof mounted to minimize up-light. The LED's and printed circuit boards shall be 100% recyclable; they shall also be protected from moisture and corrosion by a conformal coating of 1 to 3 mils. They shall not contain lead, mercury or any other hazardous substances and shall be RoHS compliant. The LED life rating data shall be determined in accordance with IESNA LM-80. The High Performance white LED's will have a life expectancy of approximately 100,000 hours with not less than 70% of original brightness (lumen maintenance), rated at 25°C. The High Brightness, High Output LED's shall be 4500K (3500K or 2700K option) color temperature with a minimum CRI of 70. Consult factory for custom color CCT. The luminaire shall have a minimum _____ (see table) delivered initial lumen rating when operated at steady state with an average ambient temperature of 25°C (77°F).

Optics

The luminaire shall be provided with individual, refractor type optics applied to each LED. The luminaire shall provide Type ____ (2, 3, 3R, 4 or 5) light distribution per the IESNA classifications. Testing shall be done in accordance with IESNA LM-79.

Electronic Driver

The LED driver shall be U.L. Recognized. It shall be securely mounted inside the bollard, for optimized performance and longevity. It shall be supplied with a quick-disconnect electrical connector on the power supply, providing

See next page

SL300 - SL302 SOLANA SERIES BOLLARD

LED BOLLARDS

easy power connections and fixture installation. It shall have overload, overheat and short circuit protection, and have a DC voltage output, constant current design, 50/60HZ. It shall be supplied with line-ground, line-neutral and neutral-ground electrical surge protection in accordance with IEEE/ANSI C62.41.2 guidelines. It shall be a high efficiency driver with a THD less than 20% and a high power factor greater than .9. It shall be dimming capable using a 0-10v signal, consult factory for more information.

Installation

Four 1/2" diameter, hot-dipped galvanized "L" type anchor bolts shall be provided with the bollard for anchorage, they shall be mounted in a 3-7/8" bolt circle. The bollard will be provided with a slipping base cover which shall be secured with tamper proof stainless steel hardware, the baseplate includes a grounding stud.

Photocell

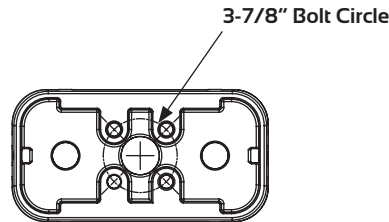
The photocontrol shall be mounted on the bollard. The electronic button type photocontrol is instant on with a 5-10 second turn off, and shall turn on at 1.5 footcandles with a turn-off at 2-3 footcandles. Photocontrol is 120-277 volt and warranted for 6 years.

Warranty

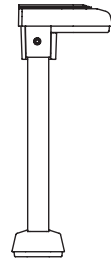
Seven-year limited warranty. See product and finish warranty guide for details.

Finish

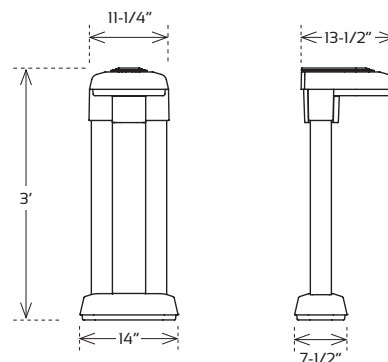
Refer to website for details.



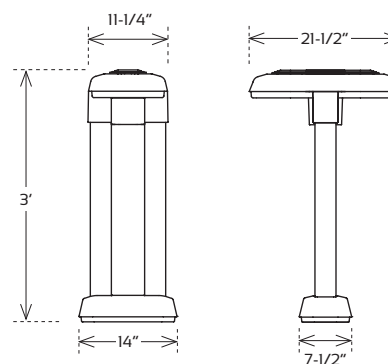
Baseplate
(Not to Scale)



PEC
Optional Photocell



SL300-3



SL302-3

SL300 - SL302 SOLANA SERIES BOLLARD

LED BOLLARDS

Performance SL300 (Based on FG lens)

MODEL #	T2 LUMENS	BUG	EFFICACY (LPW)	T3 LUMENS	BUG	EFFICACY (LPW)	T3R LUMENS	BUG	EFFICACY (LPW)	T4 LUMENS	BUG	EFFICACY (LPW)	T5 LUMENS	BUG	EFFICACY (LPW)	WATTS
28L45T_-MDL05	4390	B1U0G1	89.6	3985	B1U0G1	81.3	4215	B1U0G1	86.0	4130	B1U0G1	84.3	3615	B1U0G1	73.8	49
28L35T_-MDL05	4125	B1U0G1	84.2	3745	B1U0G1	76.4	3960	B1U0G1	80.8	3880	B1U0G1	79.2	3395	B1U0G1	69.3	49
28L27T_-MDL05	3620	B1U0G1	73.9	3285	B1U0G1	67.0	3475	B1U0G1	70.9	3405	B1U0G1	69.5	2980	B1U0G1	60.8	49
28L45T_-MDL03	3250	B1U0G1	98.5	2860	B1U0G1	86.7	3020	B1U0G1	91.5	2960	B1U0G1	89.7	2720	B1U0G1	82.4	33
28L35T_-MDL03	3050	B1U0G1	92.4	2685	B1U0G1	81.4	2835	B1U0G1	85.9	2780	B1U0G1	84.2	2555	B1U0G1	77.4	33
28L27T_-MDL03	2680	B1U0G1	81.2	2360	B1U0G1	71.5	2490	B1U0G1	75.5	2440	B1U0G1	73.9	2240	B1U0G1	67.9	33
14L45T_-MDL05	2255	B1U0G1	86.7	2055	B1U0G1	79.0	2215	B0U0G1	85.2	2225	B1U0G1	85.6	1840	B1U0G1	70.8	26
14L35T_-MDL05	2120	B1U0G1	81.5	1930	B1U0G1	74.2	2080	B0U0G1	80.0	2090	B1U0G1	80.4	1730	B1U0G1	66.5	26
14L27T_-MDL05	1860	B1U0G1	71.5	1695	B1U0G1	65.2	1825	B0U0G1	70.2	1835	B1U0G1	70.6	1515	B1U0G1	58.3	26
14L45T_-MDL03	1665	B1U0G1	92.5	1465	B0U0G1	81.4	1580	B0U0G0	87.8	1590	B0U0G1	88.3	1355	B0U0G1	75.3	18
14L35T_-MDL03	1565	B1U0G1	86.9	1375	B0U0G1	76.4	1485	B0U0G0	82.5	1495	B0U0G1	83.1	1275	B0U0G1	70.8	18
14L27T_-MDL03	1375	B1U0G1	76.4	1210	B0U0G1	67.2	1300	B0U0G0	72.2	1310	B0U0G1	72.8	1115	B0U0G1	61.9	18
14L45T_-MDL02	950	B0U0G0	86.4	865	B0U0G0	78.6	935	B0U0G0	85.0	940	B0U0G0	85.5	775	B0U0G0	70.5	11
14L35T_-MDL02	890	B0U0G0	80.9	810	B0U0G0	73.6	880	B0U0G0	80.0	885	B0U0G0	80.5	730	B0U0G0	66.4	11
14L27T_-MDL02	785	B0U0G0	71.4	715	B0U0G0	65.0	770	B0U0G0	70.0	775	B0U0G0	70.5	640	B0U0G0	58.2	11
14L45T_-MDL01	525	B0U0G0	75.0	480	B0U0G0	68.6	515	B0U0G0	73.6	520	B0U0G0	74.3	425	B0U0G0	60.7	7
14L35T_-MDL01	495	B0U0G0	70.7	450	B0U0G0	64.3	485	B0U0G0	69.3	490	B0U0G0	70.0	400	B0U0G0	57.1	7
14L27T_-MDL01	435	B0U0G0	62.1	395	B0U0G0	56.4	425	B0U0G0	60.7	430	B0U0G0	61.4	350	B0U0G0	50.0	7

SL300 - SL302 SOLANA SERIES BOLLARD

LED BOLLARDS

Performance SL302 (Based on FG lens)

MODEL #	T2 LUMENS	BUG	EFFICACY (LPW)	T3 LUMENS	BUG	EFFICACY (LPW)	T3R LUMENS	BUG	EFFICACY (LPW)	T4 LUMENS	BUG	EFFICACY (LPW)	T5 LUMENS	BUG	EFFICACY (LPW)	WATTS
56L45T_-MDL05	8570	B3U0G3	88.4	7805	B3U0G3	80.5	8210	B3U0G3	84.6	8100	B3U0G2	83.5	7125	B3U0G3	73.5	97
56L35T_-MDL05	8050	B3U0G3	83.0	7330	B3U0G3	75.6	7710	B3U0G3	79.5	7605	B3U0G2	78.4	6690	B3U0G3	69.0	97
56L27T_-MDL05	7065	B3U0G3	72.8	6435	B3U0G3	66.3	6770	B3U0G3	69.8	6675	B3U0G2	68.8	5875	B3U0G3	60.6	97
56L45T_-MDL03	6185	B3U0G3	96.6	5610	B2U0G2	87.7	5900	B3U0G3	92.2	5820	B3U0G1	90.9	5130	B2U0G2	80.2	64
56L35T_-MDL03	5810	B3U0G3	90.8	5270	B2U0G2	82.3	5540	B3U0G3	86.6	5465	B3U0G1	85.4	4820	B2U0G2	75.3	64
56L27T_-MDL03	5100	B3U0G3	79.7	4625	B2U0G2	72.3	4865	B3U0G3	76.0	4800	B3U0G1	75.0	4230	B2U0G2	66.1	64
28L45T_-MDL05	4440	B2U0G2	88.8	4020	B2U0G2	80.4	4295	B2U0G2	85.9	4345	B3U0G1	86.9	3630	B2U0G2	72.6	50
28L35T_-MDL05	4170	B2U0G2	83.4	3775	B2U0G2	75.5	4035	B2U0G2	80.7	4080	B3U0G1	81.6	3410	B2U0G2	68.2	50
28L27T_-MDL05	3660	B2U0G2	73.2	3315	B2U0G2	66.3	3540	B2U0G2	70.8	3580	B2U0G1	71.6	2990	B2U0G2	59.8	50
28L45T_-MDL03	3155	B2U0G2	92.8	2850	B2U0G2	83.8	3045	B2U0G2	89.6	3080	B2U0G1	90.6	2660	B1U0G1	78.2	34
28L35T_-MDL03	2965	B2U0G2	87.2	2675	B2U0G2	78.7	2860	B2U0G2	84.1	2895	B2U0G1	85.1	2500	B1U0G1	73.5	34
28L27T_-MDL03	2600	B2U0G2	76.5	2350	B2U0G2	69.1	2510	B2U0G2	73.8	2540	B2U0G1	74.7	2195	B1U0G1	64.6	34
28L45T_-MDL02	1870	B1U0G1	98.4	1695	B1U0G1	89.2	1815	B1U0G1	95.5	1830	B1U0G1	96.3	1500	B1U0G1	78.9	19
28L35T_-MDL02	1755	B1U0G1	92.4	1590	B1U0G1	83.7	1705	B1U0G1	89.7	1720	B1U0G1	90.5	1410	B1U0G1	74.2	19
28L27T_-MDL02	1540	B1U0G1	81.1	1395	B1U0G1	73.4	1495	B1U0G1	78.7	1510	B1U0G1	79.5	1235	B1U0G1	65.0	19
28L45T_-MDL01	1030	B1U0G1	93.6	935	B1U0G1	85.0	1000	B1U0G1	90.9	1010	B1U0G0	91.8	830	B1U0G1	75.5	11
28L35T_-MDL01	965	B1U0G1	87.7	880	B1U0G1	80.0	940	B1U0G1	85.5	950	B1U0G0	86.4	780	B1U0G1	70.9	11
28L27T_-MDL01	850	B1U0G1	77.3	770	B1U0G1	70.0	825	B1U0G1	75.0	835	B1U0G0	75.9	685	B1U0G1	62.3	11