

SB SAVANNAH BENCH SERIES

SPECIFICATIONS

GENERAL

The SB356 Savannah Bench Series is a classic steel strap bench.

CONSTRUCTION - MODEL SB356

The Model SB356 shall have back support and is made of ASTM A36 steel flat bar for the seat section and steel square bar for the ends. The support bar shall be made of 1" solid round steel bar. The legs shall have tabs for lagging into place on site. The entire assembly shall be hot dipped galvanized for corrosion resistance. The overall height is 35" and length is 6'. The seat height is 17".

CONSTRUCTION - MODEL SB176

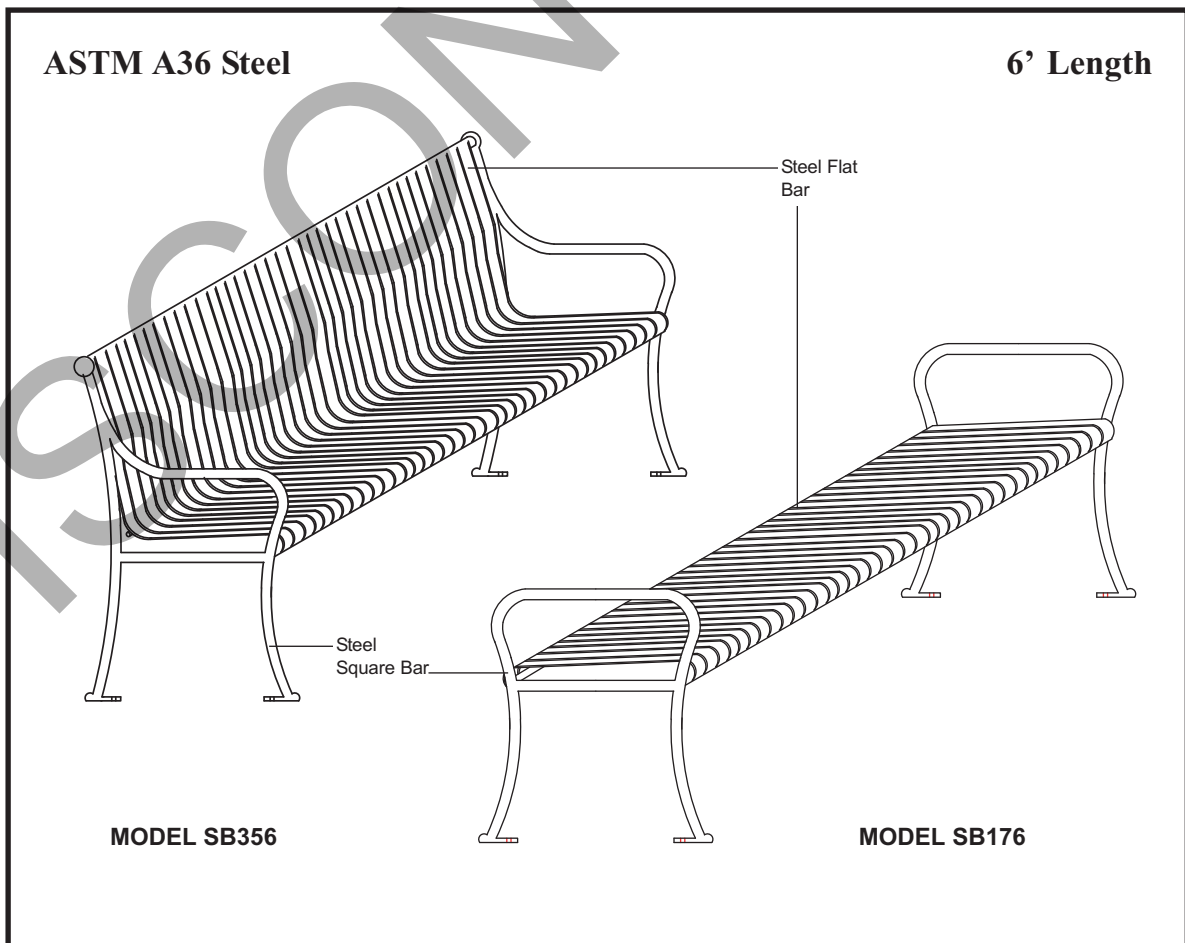
The Model SB176 shall be backless and is made of ASTM A36 steel flat bar for the seat section and steel square bar for the ends. The support bar shall be made of 1" solid round steel bar. The legs shall have tabs for lagging into place on site. The entire assembly shall be hot dipped galvanized for corrosion resistance. The overall height is 24" and length is 6'. The seat height is 17".

FINISH

Prior to coating, each assembly shall be hot-dipped galvanized for corrosion resistance. A coat of Phillips "Acrycoat" 2-part epoxy primer is applied followed by a top coat of "Acrycoat" acrylic enamel.

WARRANTY

Three-year limited warranty.



SB SAVANNAH BENCH SERIES

MODELS / FINISHES

BUILDING A PART NUMBER

PART NUMBER SELECTIONS

Benches

| MODEL | FINISH |
|-------|--------|
| SB356 | BK |

MODELS

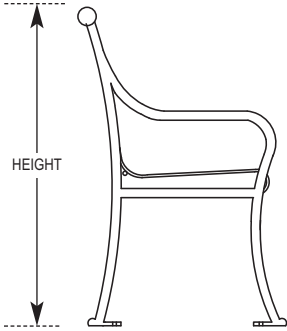
- SB356
- SB176

FINISHES STANDARD

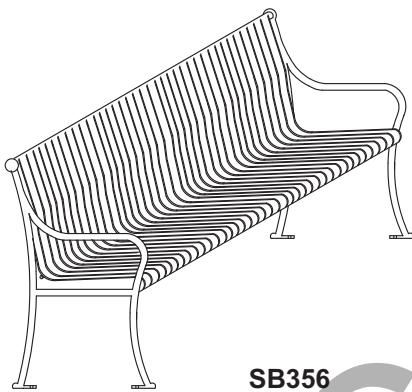
- BK Black
- PG Park Green
- ABZ Arch Med Bronze
- DB Dark Bronze
- WH White

FINISHES CUSTOM

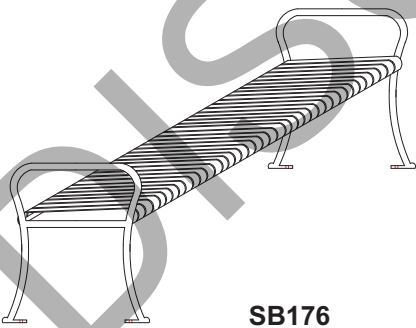
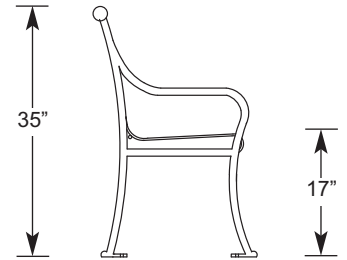
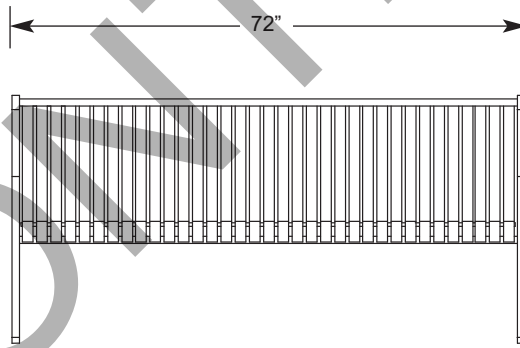
- CM Custom Match



MODELS



SB356



SB176

