



# S440-XRLED SEVILLE SERIES

LED

EPA  
0.70 (ft²)  
WEIGHT  
16 LBS

5 YEAR  
WARRANTY

LUMEN  
RANGE  
1,460 to  
3,870

LIFE SPAN  
L70  
MINIMUM  
50,000  
HOURS

UL  
LISTED

CLICK  
FOR FAQ'S

JOB NAME \_\_\_\_\_

FIXTURE TYPE \_\_\_\_\_

MEMO \_\_\_\_\_

## BUILD A PART NUMBER

ORDERING EXAMPLE: **2A-S440-XRLED-9L45T5-MDLO7-CSA-FHD/1087PM/3810P4/BKT**

Mounting Config.	Fixture	LED	CCT	Type	Driver	Lens	Option Fuse	Option Chimney	Option House Side Shield	Arm See Arm Spec Sheets	Pole See Pole Spec Sheets	Finish

### Mounting Configuration

(Click here to view mounting configuration sheet)

- 1W    • 2A    • 3A90    • 1AM    • CH44<sup>1</sup>
- PT    • 2A90    • 3APT    • 2AM    • SH28<sup>1</sup>
- 1A    • 2APT    • 4A    • PB44    • CH28<sup>1</sup>
- 1APT    • 3A    • 4APT    • SH44<sup>1</sup>

W = Wall Mount    PT = Post Top    APT = Post Top Arm Mid-Mount  
A = Arm Mount    AM = Arm Mid-Mount    PB = Pier Base  
SH = Stem Hung    CH = Chain Hung

<sup>1</sup> Include overall drop length in inches after designation for Stem/Chain application (IE: CH44-48").

### Fixture

- S440F    • S440

### LED

- XRLED-9L

### CCT - COLOR TEMPERATURE (K)

- 27(00)    • 35(00)    • 45(00)

### Type

- T2    • T3    • T4    • T5

### Driver

- MDLO7 (120v-277v, 700Ma)
- MDL14 (120v-277v, 1400Ma)
- MDH07 (347v-480v, 700Ma)
- MDH14 (347v-480v, 1400Ma)

### Lens (Click here to link to lens option specification page)

- CSA (Clear Seeded Acrylic)
- CTA (Clear Textured Acrylic)
- PA (Prismatic Acrylic)
- SV1 (Flat Soft Vue Light Diffused Acrylic)
- SV2 (Flat Soft Vue Moderate Diffused Acrylic)
- SV4 (Flat Soft Vue Maximum Diffused Acrylic)

### Options (Click here to view accessories sheet)

- FHD<sup>2</sup> Double Fuse and Holder
- FHC Frosted Glass Hurricane Chimney
- HSS House Side Shield

<sup>2</sup> Ships loose for installation in base.

### Arm (Click here to view arm website page)

See Arms & Wall Brackets specification sheets.

- 78    • 1082    • 1087
- 1080    • 1085    • 1090

### Pole (Click here to view pole website page)

See Pole specification sheets.

### Finish (Click here to view paint finish sheet)

#### Standard Finishes<sup>3</sup>

- BKT Black Textured
- WHT White Textured
- PGT Park Green Textured
- ABZT Architectural Medium Bronze Textured
- DBT Dark Bronze Textured

<sup>3</sup> Smooth finishes are available upon request.

#### Custom Finishes<sup>4</sup>

- CM Custom Match
- OI Old Iron
- RT Rust
- WBR Weathered Brown
- CD Cedar
- WBK Weathered Black
- TT Two Tone

<sup>4</sup> Custom colors require upcharge.

#### Sternberg Select Finishes

- VG Verde Green
- SI Swedish Iron
- OWGT Old World Gray Textured

## Specifications

### Fixture

The S440F fixture shall be 11-1/4" wide and the overall height shall be 23-1/2". It shall be made of heavy wall cast aluminum. The fixture shall have a closed bottom. The Luminaire shall be UL listed in US and Canada.

### LEDs

The luminaire shall use high output, high brightness LED's. They shall be mounted in arrays, on printed circuit boards designed to maximize heat transfer to the heat sink surface. The arrays shall be downward facing to minimize up-light. The LED's and printed circuit boards shall be 100% recyclable, they shall also be protected from moisture and corrosion by a conformal coating of 1 to 3 mils. They shall not contain lead, mercury or any other hazardous substances and shall

be RoHS compliant. The LED life rating data shall be determined in accordance with IESNA LM-80. They shall operate in a -40°C (-40°F) to +50°C (122°F) ambient air temperature range. The High Performance white LED's will have a life expectancy of approximately 50,000 hours with not less than 70% of original brightness (lumen maintenance), rated at 25°C. The High Brightness, High Output LED's shall be 4500K (3500K or 2700K option) color temperature with a minimum CRI of 70. Consult factory for custom color CCT. The luminaire shall have a minimum \_\_\_\_\_ (see table) delivered initial lumen rating when operated at steady state with an average ambient temperature of 25°C (77°F).

### Optics

The luminaire shall be provided with individual, refractor type optics applied to each LED. The luminaire shall provide Type \_\_\_\_ (2, 3, 4 or 5) light distribution per the IESNA classifications. Testing shall be done in accordance with IESNA LM-79.

### Electronic Driver

The LED driver shall be U.L. Recognized. It shall be remotely mounted in the field, arm, pole or base depending on the selected options. It shall be supplied with a quick-disconnect electrical connector on the power supply, providing easy power connections and fixture installation. It shall have overload as well as short circuit protection, and have a DC voltage output, constant current design, 50/60HZ. It shall be supplied with line-ground, line-neutral and neutral-ground electrical surge protection in accordance with IEEE/ANSI C62.41.2 guidelines. It shall be dimmable using a 0-10v signal. The driver shall have a minimum efficiency of 88%.

### Warranty

Five-year limited warranty. See product and finish warranty guide for details.

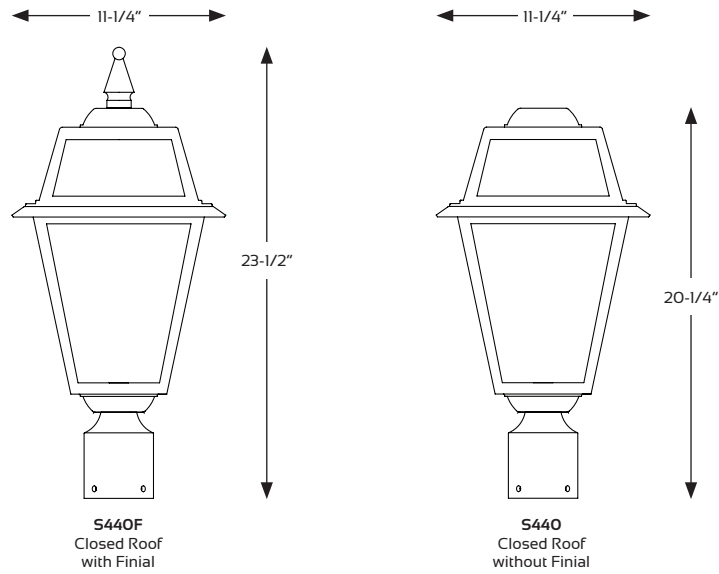
### Finish

Refer to website for details.

# S440-XRLED SEVILLE SERIES

LED

## Fixture Examples



## Performance

LIGHT SOURCE	T2 DELIVERED LUMENS	EFFICACY (LPW)	T3 DELIVERED LUMENS	EFFICACY (LPW)	T4 DELIVERED LUMENS	EFFICACY (LPW)	T5 DELIVERED LUMENS	EFFICACY (LPW)	WATTAGE
09L27T_-MDL14	2735	59.5	2710	58.9	2625	57.1	3055	66.5	46
09L35T_-MDL14	3220	70.0	3190	69.4	3090	67.2	3595	78.2	46
09L45T_-MDL14	3460	75.3	3430	74.6	3325	72.3	3870	84.1	46
09L27T_-MDL07	1535	69.8	1505	68.5	1460	66.5	1695	77.0	22
09L35T_-MDL07	1805	82.2	1770	80.7	1720	78.3	1995	90.7	22
09L45T_-MDL07	1945	88.4	1905	86.7	1850	84.2	2145	97.5	22