

RL ROCKLAND

SPECIFICATIONS

GENERAL

The ___ ft tall decorative post shall be pre-stressed concrete construction. The 18" octagonal diameter base shall be designed with a tall, lower base sides which transition into a relief and then out again, gently tapering into its octagonal fluted shaft section. Tenons are available in aluminum or steel. Clear coat Acrylic or Anti-Graffiti coating is available. The Model shall be Sternberg Lighting Number #RL _____.

CONSTRUCTION

The post shall meet design criteria of the latest revisions of ASTM C1089 and CSA A14-M. The post shall be made of quality HSF (high silica fume) cement. The post shall be centrifugally spun to produce the ultimate in density and durability. The post shall be pre-stressed using wire that conforms to ASTM A615 and CSA standard G270M. Helical reinforcing shall meet the requirements of ASTM A82 and CSA G30.3 and shall have a hot dipped galvanized coating per ASTM A641, Class 3. Minimum concrete strength shall be 8000 psi.

INSTALLATION

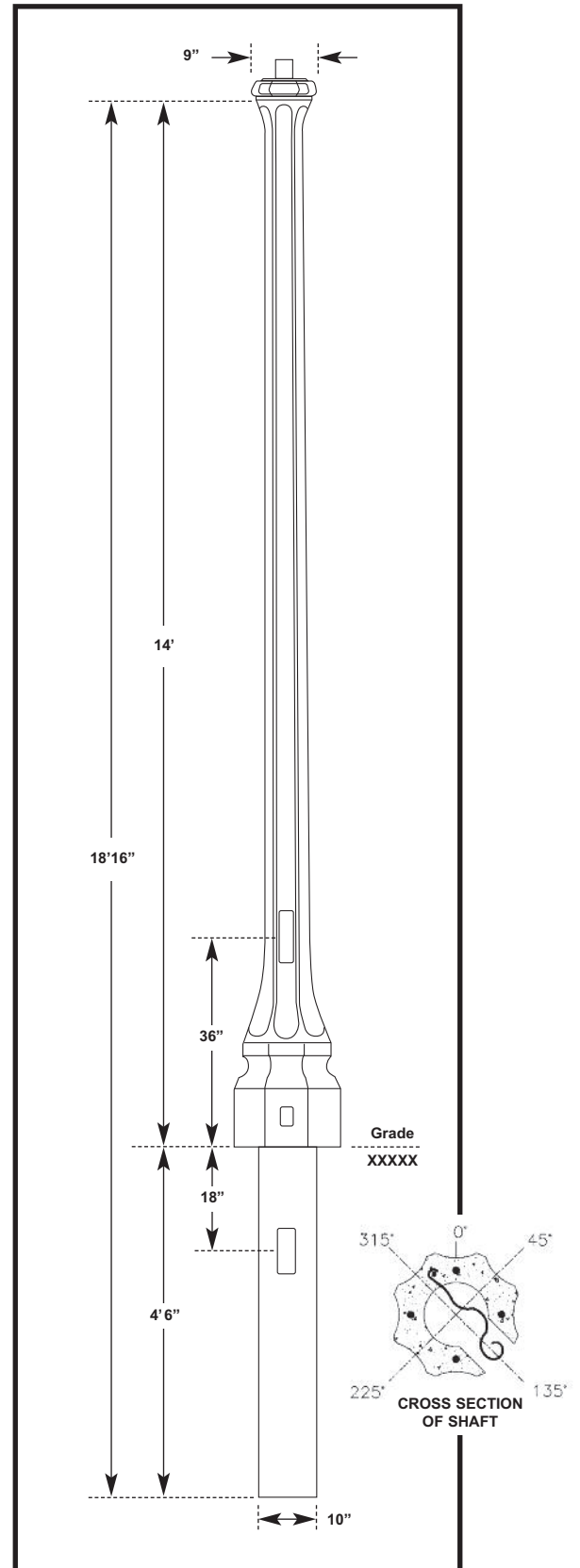
The post shall be direct embedded into the earth through an augered hole lined with gravel then back filled with native soil. Concrete poles can be manufactured for either a base or socket mount for applications where embedment is either undesirable or unfeasible. Post comes with a grounding 1/4" diameter continuous grounding rod cast into the concrete. An access door shall be provided for wiring. It shall be secured with tamper proof, stainless steel hardware.

Base Size:	18" Oct. Diameter
Height:	14' Available
Shaft:	Tapers 1/8" per ft.
Material:	Pre-stressed Concrete
Finish:	Etched
Installation:	Direct Embedment Anchor Bolt Mtg. Available

Model Numbers with Post Heights

RL Number & Finish	Above Grade	Embedment Depth	Overall Length
RL14E	14'	4'6"	18'6"

*Consult factory for tenon size.



RL ROCKLAND

SPECIFICATIONS

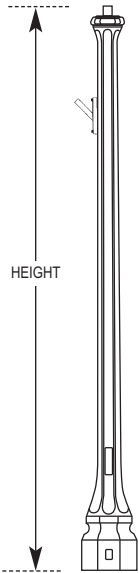
BUILDING A PART NUMBER

Concrete Poles

MODEL / ABOVE GRADE HEIGHT	CONCRETE FINISH	POST CAP CENTER	OPTIONS	COLORS
RL 14	E		FH	SG

Part Number Selections

MODEL	ABOVE GRADE HEIGHT	CONCRETE FINISH	POST CENTER CAP (If Required)	OPTIONS AVAILABLE	COLORS
• RL	• 14'	• E Etched	• OFC • RFC	<ul style="list-style-type: none"> • AF • GF • DCOG • FH • SBA • DBA • SBAR • DSPA • DHPA • PA478 • DBA • SBAR 	<ul style="list-style-type: none"> • SG Sky Gray • SP Salt & Pepper • CB Charcoal Black • MS Midnight Sky Black • EB Eclipse Black • RG Red Granite • AR Antique Red • RR Rustic Red • SR Sedona Red • TC Terra Cotta • KG Kelly Green • BZ Bronze



OPTIONS AVAILABLE

See Accessories Section for more options and information

<p>AB - Anchor Base Plate Mounting of Post</p> <p>AF - Acrylic Finish</p> <p>GF - Anti-Graffiti Finish</p> <p>DCO - Duplex Convenience Outlet (GFCI)</p> <p>FH - Flag Pole Holder mounts on the pole</p>	<p>SBA - Single Banner Arm mounts on the pole</p> <p>DBA - Double Banner Arms mount on same side of the pole</p> <p>SBAR - Single Banner Arm and Ring</p> <p>DSPA - Double Stepped Planter Arms mount on either side</p> <p>DHPA - Double Hooked Planter Arms mount on either side</p>	<p>PA478 - Decorative Planter Arms with planter rings</p> <p>PCD - Photo Control in receptacle box</p> <p>TH - Threaded Hub</p>
---	---	--

POST CENTER CAPS (If Required)

