

RD130 PRAIRIE RD SERIES

SPECIFICATIONS

GENERAL

The RD130 Prairie RD fixture is a medium scale, dramatic Wrightian/Mission curved design. It features a tall, round four-sectioned decorative cast cage, a unique tree design grille, cast ballast housing assembly, acrylic lens and a dramatic cantilever roof design. The roof shall be appointed with mushroom aluminum finial.

POST FITTER

The fitter shall be heavy wall cast aluminum, 356 alloy for high tensile strength. It shall have an inside diameter opening to accept a 3" round pole or tenon. When ordered with a Sternberg aluminum pole, the fitter shall be set screwed to the pole top or tenon.

BALLAST HOUSING

The ballast housing shall be heavy wall cast aluminum, 356 alloy for high tensile strength. The housing shall be cast as an integral part of the fitter to prevent water entry into the ballast compartment and to ensure high capacity heat sinking of ballast temperatures, keeping the ballast cooler and ensuring long life. The ballast mounting plate shall be a cast aluminum cap and be keyed to the housing to provide tool-less removal for maintenance.

ELECTRICAL

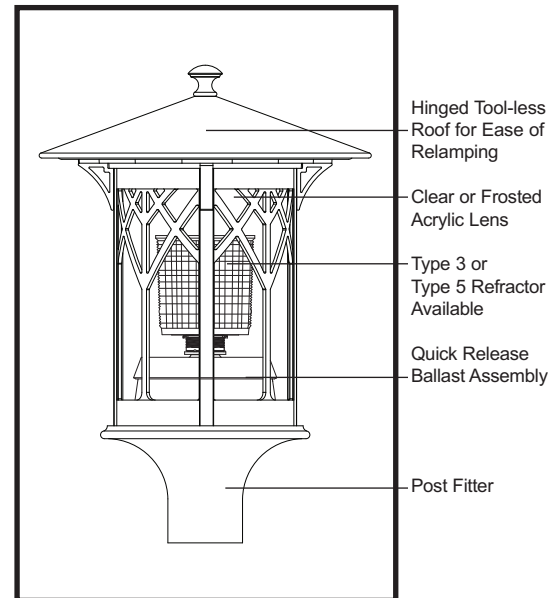
Fixture shall be U.L. or E.T.L. listed. H.I.D. ballasts shall be high power factor with lamp starting down to -30 degrees C. Medium base and mogul base porcelain sockets are 4KV rated. The ballast/socket assembly shall be pre-wired when ballast is located in the fixture. All compact fluorescent (PL) ballasts shall be instant start electronic with a starting temperature of down to 0 degrees F. They shall have a 4-pin socket to accept quad or triple tube lamps. Ballasts shall be DOE EISA compliant.

FIXTURE HOUSING

The RD130 fixture shall be 16" wide and the overall height shall be 23". It shall be made of heavy wall cast aluminum, 356 alloy and lenses will be made of vandal resistant acrylic, available in clear (CA) and white (WA) acrylic. The RD130 fixture features a cast 12" wide window body with cast tree design grille work. The cast 24" diameter roof shall cantilever the fixture body and have a solid aluminum soffit with 4 cast corner braces. The entire fixture shall be made of cast aluminum, 356 alloy. The roof shall be a hinged design and provide tool-less entry.

OPTICAL OPTIONS

Refractors shall be 5" diameter borosilicate glass with an I.E.S. Type 3 (RE3) or Type 5 (RE5) distribution. It shall be secured to the socket stem with 3/8" plated steel threaded pipe nipple and rest on a cast aluminum holder with anti-shock gasket. The refractor will be secured to cast holder with a quarter-turn internal aluminum twist ring for ease of maintenance.



EPA = 0.60 (ft²)
WEIGHT = 23 LBS

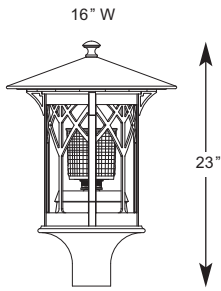
LIST NO.
RD130
PRAIRIE RD
SERIES

The **Louver Reflector System (LR5)** shall be a multi-tier reflector with 5" diameter rings to produce an I.E.S. Type 5 distribution. The louver reflector shall be made of specular anodized

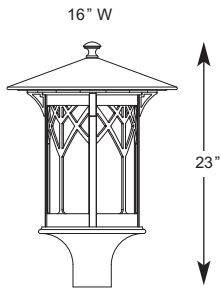
RD130 PRAIRIE RD

FIXTURES/FITTERS/ARMS PM-WB

FIXTURES OPTICAL SYSTEMS



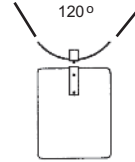
RD130CA
Clear Acrylic
Lens



RD130WA
Acrylic Lens



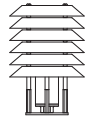
**RE3
RE5**
Refractor



HSS
House Side
Shield

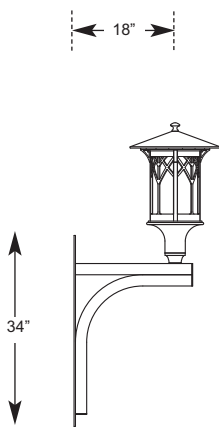


FMC
Frosted
Mission Chimney

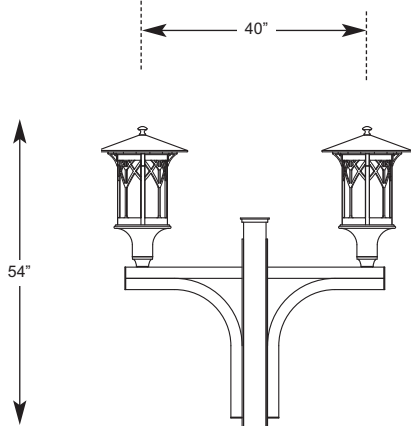


LR5
Louver
Reflector

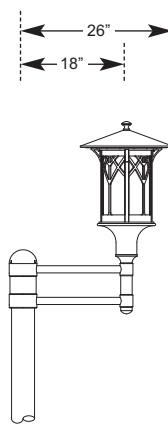
ARMS - POST MOUNT or WALL BRACKETS (WB) See Arms Section for more information



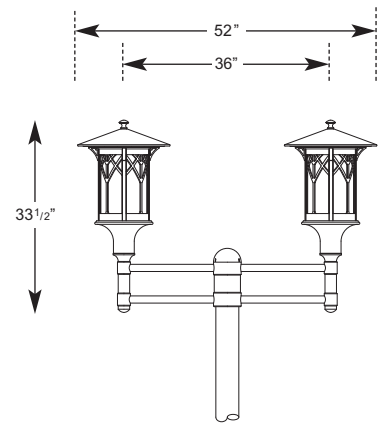
HSS Single



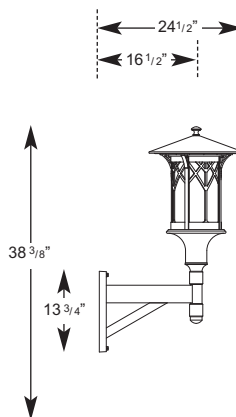
HSS Twin



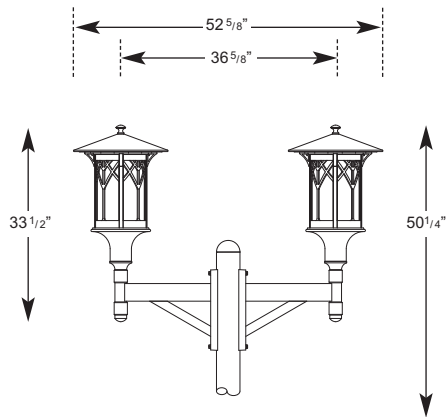
OMS Single



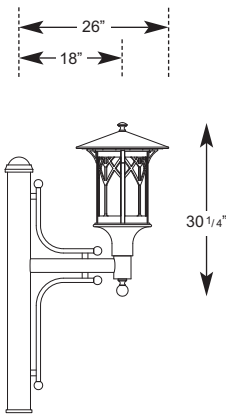
OMS Twin



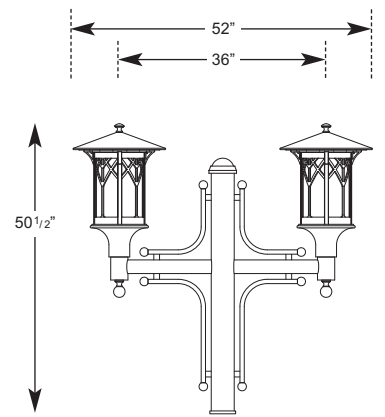
**HMS PM
Single**



**HMS PM
Twin**



OLS Single

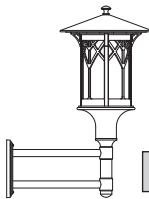
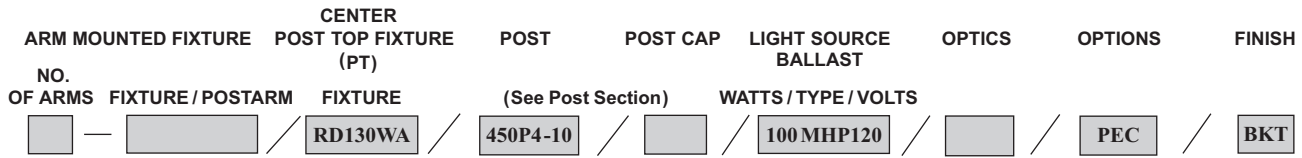


OLS Twin

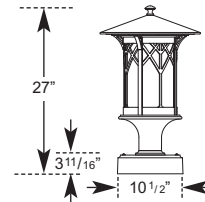
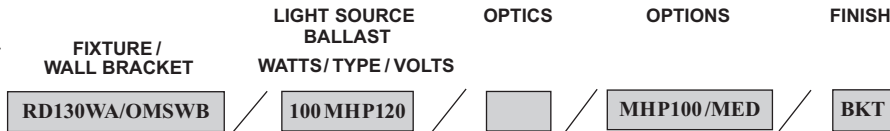
BUILDING A PART NUMBER



POST & ARM FIXTURES



WALL FIXTURES



PIER FIXTURES
Uses same information boxes as wall fixture
RD130WA / 450PB
FIXTURE / PIER BASE

PART NUMBER SELECTIONS

FIXTURES

- RD130CA
- RD130WA

OPTICS

- RE3⁴
- RE5⁴
- HSS
- FMC²
- LR5⁴

POST ARMS

- HSS single
- HSS twin
- OMS single
- OMS twin
- HMS single
- HMS twin
- OLS single
- OLS twin

VOLTAGES

- 120
- 208
- 240
- 277
- 480
- MULTI (120-277)

WALL BRACKET ARMS

- HSSWB
- OMSWB
- HMSWB
- OLSWB

PIER BASE

- 450PB

HANGING TYPE

- HCH44
- HSH44

BALLASTS^{3,4}

- 35HPS¹
- 50HPS
- 70HPS
- 100HPS
- 150HPS
- 50MHP
- 70MHP
- 100MHP
- 150MHP

LAMPS⁴

- HPS35/MED
- HPS50/MED
- HPS70/MED
- HPS100/MED
- HPS150/MED
- MHP50/MED
- MHP70/MED
- MHP100/MED
- MHP150/MED

STANDARD FINISHES*

- BKT Black Textured
- WHT White Textured
- PGT Park Green Textured
- ABZT Architectural Medium Bronze Textured
- DBT Dark Bronze Textured

*Smooth Finishes are available upon request

CUSTOM FINISHES

- OI Old Iron
- RT Rust
- WBR Weathered Brown
- CD Cedar
- WBK Weathered Black
- TT Two Tone

STERNBERG SELECT FINISHES

- VG Verde Green
- SI Swedish Iron
- OWGT Old World Gray Textured

OPTIONS

- PEC Photocell-Electronic 120-277 Volt
- FHS Single Fuse and Holder-120, 277 Volt
- FHD Dual Fuse and Holder-208, 240, 480V
- QR Quartz Re-Strike
- LAMPS Select from List

NOTES:

- ¹35HPS is 120 volt only. standard with ballasts up to 150 watts. 4-pin for PL.
- ²MED base only when used to house lamp.
- ³Medium base sockets
- ⁴Metal halide systems are pulse start.

RD130 PRAIRIE RD SERIES

SPECIFICATIONS

**LIST NO.
RD130
PRAIRIE RD
SERIES**

aluminum and shall come standard with medium base socket.

Frosted Glass Mission Chimney (FMC) is an optic option which adds an authentic Mission touch.

House Side Shield (HSS) is an option which will block up to 120° of light in any one direction.

QUARTZ RE-STRIKE

The RD130 fixture can be supplied with an optional quartz re-strike system to retain constant fixture light if the H.I.D. lamp fails. The fixture will be equipped with a 100 watt quartz lamp and a controller to run on a 120 volt circuit and must be used in conjunction with a 120 volt or multi-tap ballast.

PHOTOCELLS

Photocells shall be the electronic button type. On single post top fixtures the photocell shall be mounted in the fitter and pre-wired to ballast. On multiple head fixture assemblies photocells shall be mounted in the pole shaft on an access plate and are not pre-wired as ballast housing assemblies and fitters are packaged separately for ease of wiring to source. The electronic button type photocell is instant on and a 5-10 second turn off and shall turn on at 1.5 footcandles with a turn-off at 2-3 footcandles. Photocells are 120-277 volt.

ARMS

All arms are made of cast aluminum and/or extruded aluminum. Arms with decorative filigree have meticulously detailed scroll work and gracefully curved brackets. All RD130 fixtures shall be bolted to the arm to ensure arms will be plumb, secure and level over the life of the installation.

FINISH

Prior to coating, each assembly shall be chemically cleaned and etched in a 5-stage washing system which includes alkaline cleaning, rinsing, phosphoric etching, reverse osmosis water rinsing, and non-chrome sealing to ensure corrosion resistance and excellent adhesion for the finish coating. The finish coating shall be electrostatically applied semi-gloss, super durable polyester powder baked at 400 degrees for a durable and superior, color retentive finish. Our optional antique Verde Green finish and Swedish Iron finish are hand brushed using a 3-step process. The total assembly shall be wrapped in shockproof wrapping or fully enclosed in corrugated cartons.

WARRANTY

Five-year limited warranty. See product and finish warranty guide for details.

