



# MS605\_LED MAIN STREET SERIES

LED

EPA  
1.71  
(ft<sup>2</sup>)  
  
WEIGHT  
23LBS

7 YEAR  
WARRANTY

LUMEN  
RANGE  
1,955 to  
7,035

LIFE SPAN  
L70  
MINIMUM  
100,000  
HOURS

UL  
LISTED

CLICK  
FOR FAQ's

JOB NAME \_\_\_\_\_

FIXTURE TYPE \_\_\_\_\_

MEMO \_\_\_\_\_

## BUILD A PART NUMBER

ORDERING EXAMPLE: **2A-MS605ALED-8L40T5-MDLO14-CTA-PEC-FHD/480PM/3412FP4/SCC/BKT**

Mounting Config.	Fixture	LED	CCT	Distribution Type	Driver	Lens	Option Control	Option Fuse	Option House Side Shield	Option Chimney	Option Dome Lens	Arm See Arm Spec Sheets	Pole See Pole Spec Sheets	Finish

### Mounting Configuration

(Click here to view mounting configuration sheet)

- 1W      • 2A90      • 4A
- PT      • 2APT      • 4APT
- 1A      • 3A      • 1AM
- 1APT    • 3A90      • 2AM
- 2A      • 3APT      • 450PB

W = Wall Mount    PT = Post Top    APT = Post Top Arm Mid-Mount  
A = Arm Mount    AM = Arm Mid-Mount    PB = Pier Base

### Fixture

- MS605ALED      • MS605BLED

### LED

- 24L      • 16L      • 8L

### CCT - Color Temperature (K)

- 27(00)    • 30(00)    • 40(00)    • 50(00)

### Distribution Type

- T2      • T3      • T4      • T5

### Driver

- MDLO14 (120V-277V, 140mA)
- MDHO14 (347V-480V, 140mA)

### Lens (Click here to link to lens specification page)

- CSA (Clear Seeded Acrylic)
- CTA (Clear Textured Acrylic)
- PA (Prismatic Acrylic)
- SV1 (Flat Soft Vue Light Diffused Acrylic)
- SV2 (Flat Soft Vue Moderate Diffused Acrylic)
- SV4 (Flat Soft Vue Maximum Diffused Acrylic)

### Options (Click here to link to view accessories sheet)

- PEC Electronic Button Photocontrol (120V-277V)
- PEC4 Electronic Button Photocontrol (480V)
- FHD1 Double Fuse and Holder
- HSS 120° House Side Shield
- BLOC Back Light Optical Control
- FHC Frosted Hurricane Chimney
- SVIF Light diffused internal flat lens
- SV2F Moderate diffused internal flat lens

<sup>1</sup>Ships loose for installation in base.

### Arm (Click here to view arm website page)

See Arms & Wall Brackets specification sheets.

- 478      • 6236      • TA      • BA
- 80      • 579      • TASC

### Pole (Click here to view pole website page)

See Pole specification sheets.

### Finish (Click here to view paint finish sheet)

#### Standard Finishes<sup>2</sup>

- BKT Black Textured
- WHT White Textured
- PGT Park Green Textured
- ABZT Architectural Medium Bronze Textured
- DBT Dark Bronze Textured

<sup>2</sup>Smooth finishes are available upon request.

#### Custom Finishes<sup>3</sup>

- CM Custom Match
- OI Old Iron
- RT Rust
- WBR Weathered Brown
- CD Cedar
- WBK Weathered Black
- TT Two Tone

<sup>3</sup>Custom colors require upcharge.

#### Sternberg Select Finishes

- VG Verde Green
- SI Swedish Iron
- OWGT Old World Gray Textured

## Specifications

### Fixture

The MS605\_LED luminaire is a modern replica of a popular styled octagonal fixture available with (A) or without (B) spikes. The cast aluminum hinged roof is appointed with a spiked finial. The luminaire has LED light sources with roof mounted, down lighting optics. The Luminaire shall be UL listed in US and Canada.

### Fitter - Standard

The fitter shall be heavy wall cast aluminum. It shall have an inside diameter opening to attach to 3" pole or tenon. When ordered with

a Sternberg pole, the fitter shall be attached by set-screw to the pole top or tenon.

### LED's

The luminaire shall use high output, high brightness LED's. They shall be mounted in arrays, on printed circuit boards designed to maximize heat transfer to the heat sink surface. The arrays shall be roof mounted to minimize up-light. The LED's and printed circuit boards shall be 100% recyclable; they shall also be protected from moisture and corrosion by a conformal coating. They shall not contain lead, mercury or any other hazardous substances and shall be RoHS compliant. The LED life rating data shall be determined in accordance with IESNA LM-80. The High Performance white LED's will have a life expectancy of approximately 100,000 hours with not less than 70% of original brightness (lumen maintenance), rated at 25°C. The High Brightness, High Output LED's shall be 4000K (2700K, 3000K or 5000K option) color temperature with a minimum CRI of 70. Consult factory for custom color CCT. The luminaire shall have a minimum \_\_\_\_\_ (see table) delivered initial lumen rating when operated at steady state with an average ambient temperature of 25°C (77°F).

### Optics

The luminaire shall be provided with individual, refractor type optics applied to each LED. The luminaire shall provide Type\_\_\_\_ (2, 3, 4, or 5) light distribution per the IESNA classifications. Testing shall be done in accordance with IESNA LM-79.

### Electronic Drivers

The LED driver shall be U.L. Recognized. It shall be securely mounted inside the fixture, for optimized performance and longevity. It shall be supplied with a quick-disconnect electrical connector on the power supply, providing easy power connections and fixture installation. It shall have overload, overheat and short circuit protection, and have a DC voltage output, constant current design, 50/60HZ. It shall be supplied with line-ground, line-neutral

See next page



**SternbergLighting**

ESTABLISHED 1923 / EMPLOYEE OWNED

800-621-3376  
555 Lawrence Ave., Roselle, IL 60172  
info@sternberglighting.com  
www.sternberglighting.com

# MS605\_LED MAIN STREET SERIES

LED

and neutral-ground electrical surge protection in accordance with IEEE/ANSI C62.41.2 guidelines. It shall be a high efficiency driver with a THD less than 20% and a high power factor greater than .9. It shall be dimming capable using a 0-10v signal, consult factory for more information.

## Photocontrols

**Button Style:** The photocontrol shall be mounted on the fixture and pre-wired to driver. The electronic button type photocontrol is instant on with a 5-10 second turn off, and shall turn on at 1.5 footcandles with a turn-off at 2-3 footcandles. Photocontrol is 120-277 volt and warranted for 6 years. See pole spec sheet for pole mounted version. and warranted for 6 years.

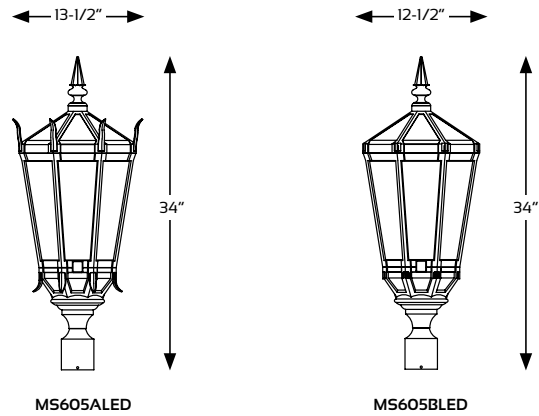
## Warranty

Seven-year limited warranty. See product and finish warranty guide for details.

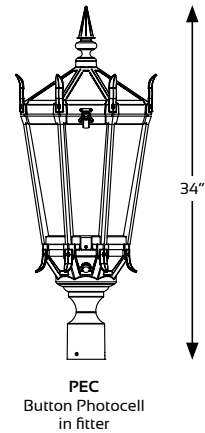
## Finish

Refer to website for details.

## Fixture Examples



## Options



## Performance

MODEL #	T2 DELIVERED LUMENS	EFFICACY (LPW)	T3 DELIVERED LUMENS	EFFICACY (LPW)	T4 DELIVERED LUMENS	EFFICACY (LPW)	T5 DELIVERED LUMENS	EFFICACY (LPW)	WATTS
24L40T_-MDL014	6530	75.9	6210	72.2	6230	72.4	7035	81.8	86
24L30T_-MDL014	6225	72.4	5920	68.8	5940	69.1	6710	78.0	86
24L27T_-MDL014	5630	65.5	5355	62.3	5370	62.4	6065	70.5	86
16L40T_-MDL014	4445	76.6	4250	73.3	4295	74.1	4860	83.8	58
16L30T_-MDL014	4240	73.1	4050	69.8	4095	70.6	4635	79.9	58
16L27T_-MDL014	3830	66.0	3665	63.2	3705	63.9	4190	72.2	58
8L40T_-MDL014	2305	74.4	2265	73.1	2365	76.3	2550	82.3	31
8L30T_-MDL014	2200	71.0	2160	69.7	2255	72.7	2430	78.4	31
8L27T_-MDL014	1985	64.0	1955	63.1	2040	65.8	2200	71.0	31