

# MILLENIA<sup>®</sup> ML900



**SternbergLighting**  
ESTABLISHED 1923 / EMPLOYEE OWNED

PROJECT: \_\_\_\_\_

TYPE: \_\_\_\_\_

**HOW TO ORDER:** ML900-4R / UBKT

ML900			
SERIES	TRIM	COLOR	
SPLIT BASE	4R	UBKT	UBK
	4S	UBT	UB
	5R	ULBT	ULB
	5S	USLT	USL
		UWHT	UWH
		UCHS	

The ML900 two piece die cast base cover is constructed of 360 aluminum and is designed with soft corners that compliment the Millenia product family of luminaires. The ML900 base cover can be fitted to 4" and 5" round or square Urban poles and are mechanically secured to the pole shaft with stainless steel hardware.

## Product Specs

### Trims

- 4R (4" Round)
- 4S (4" Square)
- 5R (5" Round)
- 5S (5" Square)

### Mechanical

- Mechanically fastens to pole with stainless steel hardware.
- Available in 4 trim options:
  - 4" Round (4R)
  - 5" Round (5R)

- III. 4" Square (4S)
- IV. 5" Square (5S)

### Limitations

- For use with all Sternberg Urbanline Round and Square poles <30'.
- Acceptable bolt projection up to 4-3/4".
- Will accommodate Sternberg Urban square steel or aluminum poles with .5" or .75" radius corners.

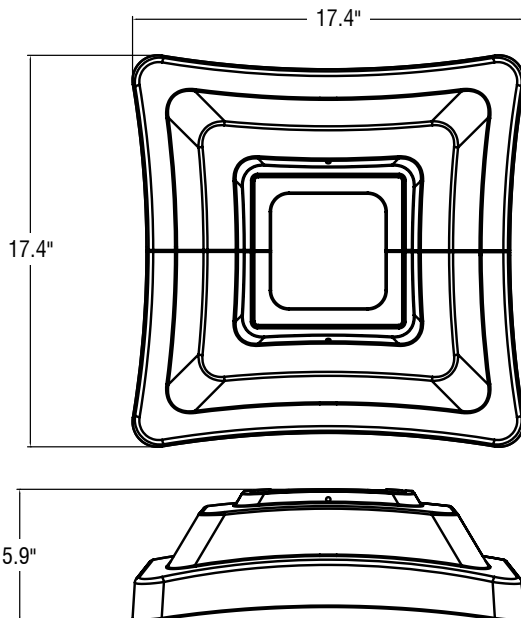
### Finish

- Durable, thermosetting, electrostatically applied color retentive powder coat finish.

### Colors:

- UBKT** - Urban Black Textured
- UBT** - Urban Bronze Textured
- ULBT** - Urban Light Bronze Textured
- USLT** - Urban Silver Textured
- UWHT** - Urban White Textured
- UCHS** - Urban Champagne Satin Smooth
- UBK** - Urban Black Matte
- UB** - Urban Bronze Matte
- ULB** - Urban Light Bronze Matte
- USL** - Urban Silver Matte
- UWH** - Urban White Matte

## Product Dimensions



## Assembly

