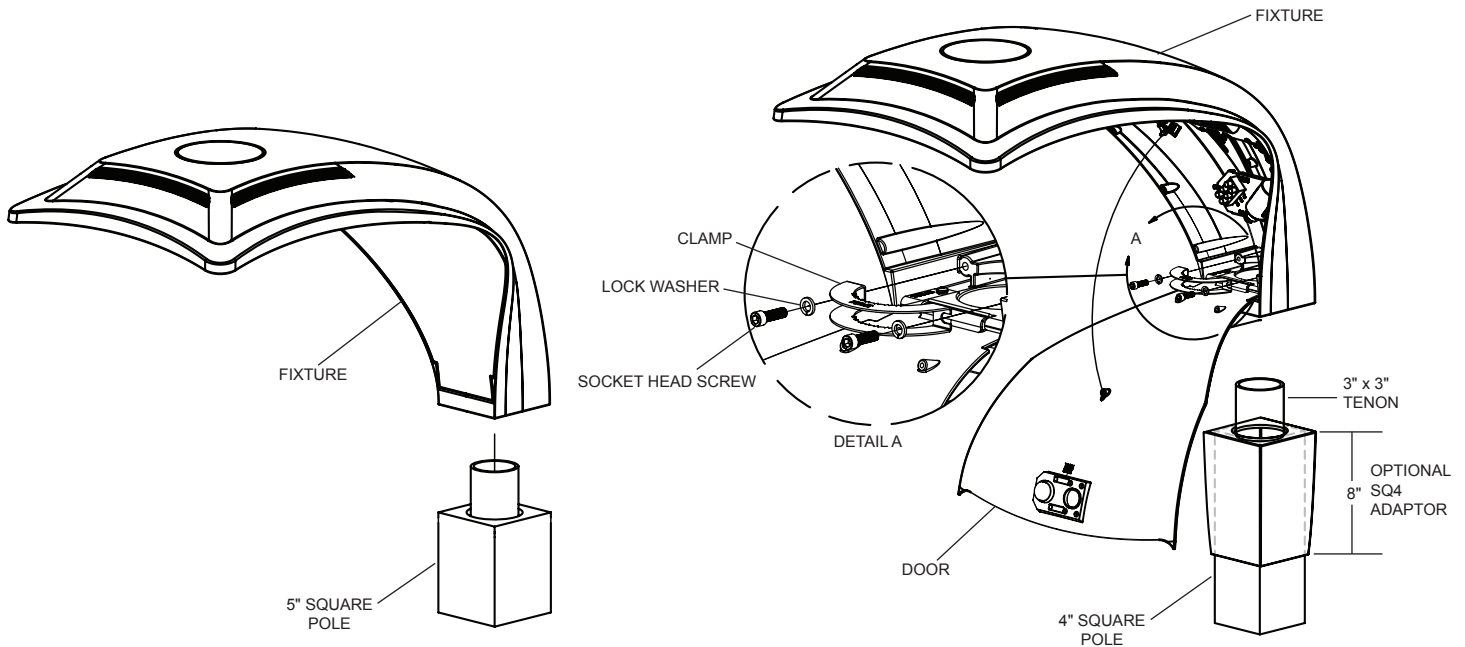


ML740 VERTICAL TENON MOUNT INSTALLATION INSTRUCTIONS

WARNING: TO AVOID FIRE, SHOCK OR DEATH, TURN OFF AND LOCKOUT POWER BEFORE PERFORMING ANY MAINTENANCE.

CAUTION: THIS FIXTURE MUST BE WIRED IN ACCORDANCE WITH THE NATIONAL ELECTRIC CODE AND ALL APPLICABLE LOCAL CODES. PROPER GROUNDING IS REQUIRED. ALL WORK SHOULD BE DONE BY A QUALIFIED ELECTRICIAN.



STEP 1

Place the fixture on top of the tenon. (If optional SQ4 adapter is used, slide the SQ4 onto the tenon as shown.)

STEP 2

Open the door and secure fixture by tightening the clamp onto the tenon with (2) socket head screws thru (2) lock washers, clamp, and into the fixture casting as shown.

STEP 3

Connect the supply wires to fixture terminal block.

STEP 4

Close the door.



SternbergLighting

ESTABLISHED 1923 / EMPLOYEE OWNED

800-621-3376
555 Lawrence Ave., Roselle, IL 60172
info@sternberglighting.com
www.sternberglighting.com