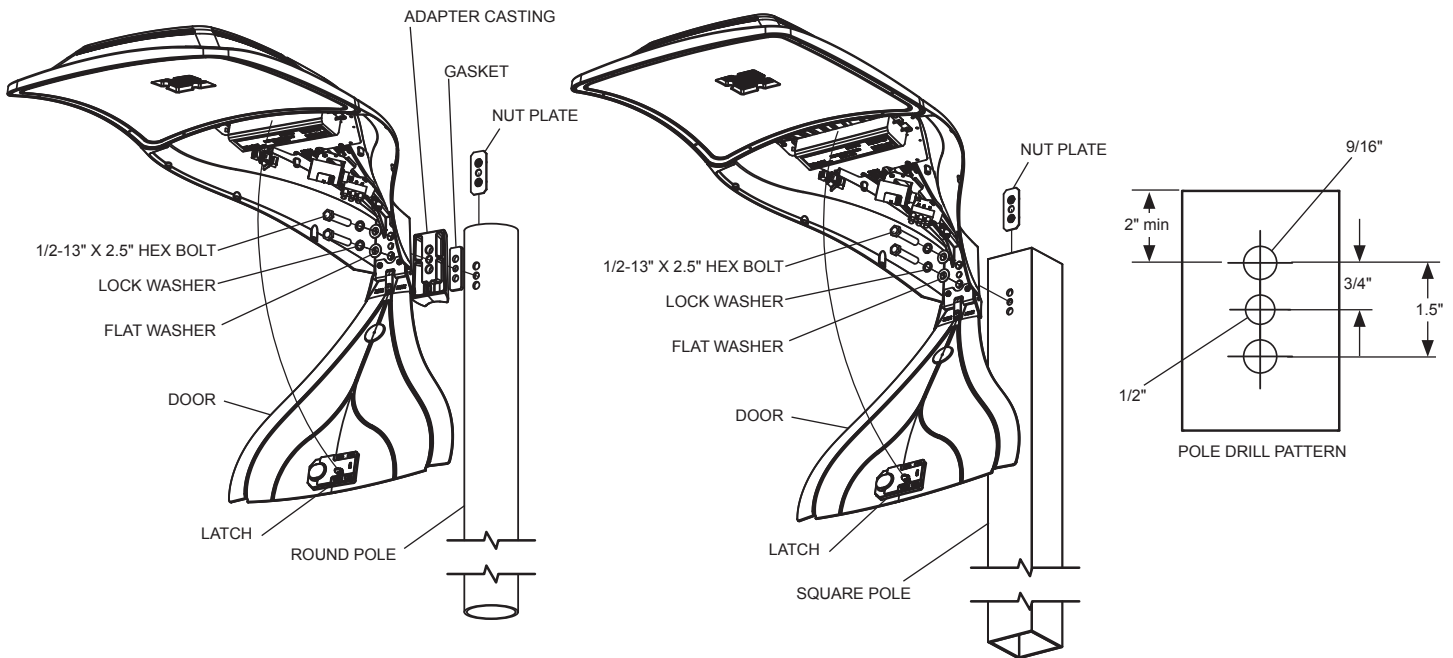


ML730 BOLT ON ARM INSTALLATION INSTRUCTIONS

WARNING: TO AVOID FIRE, SHOCK OR DEATH, TURN OFF AND LOCKOUT POWER BEFORE PERFORMING ANY MAINTENANCE.

CAUTION: THIS FIXTURE MUST BE WIRED IN ACCORDANCE WITH THE NATIONAL ELECTRIC CODE AND ALL APPLICABLE LOCAL CODES. PROPER GROUNDING IS REQUIRED. ALL WORK SHOULD BE DONE BY A QUALIFIED ELECTRICIAN.



STEP 1

Add arm drill pattern to pole if required. Release door latch and open door.

STEP 2

Insert the nut plate into the pole aligning holes in plate with existing holes in pole.

STEP 3

Sq. Poles Only: Attach fixture to pole with bolts, lock washers & flat washers as shown.

Rd. Poles Only: Attach fixture, adapter casting, and gasket to pole with bolts, lock washers & flat washers as shown.

STEP 4

Connect supply wires to terminal block.

STEP 5

Close the door, assuring that the door is seated properly and fully engaged to the housing.



SternbergLighting

ESTABLISHED 1923 / EMPLOYEE OWNED

800-621-3376
555 Lawrence Ave., Roselle, IL 60172
info@sternberglighting.com
www.sternberglighting.com