



LU660 LUNARIA SERIES

LED

| | | | | | | |
|--|----------------------------|--------------------------------------|--|----------------------|----------------------------|----------------------|
| EPA .8 (ft ²) WEIGHT 35 LBS | 7 YEAR WARRANTY | LUMEN RANGE 3,325 to 5,625 | LIFE SPAN L70 MINIMUM 100,000 HOURS | UL LISTED | CLICK FOR FAQ'S | IP RATING |
|--|----------------------------|--------------------------------------|--|----------------------|----------------------------|----------------------|

JOB NAME _____

FIXTURE TYPE _____

MEMO _____

BUILD A PART NUMBER

ORDERING EXAMPLE: **PT-LU660-72L40TS-MDL03-SV2-FHD/45OP4-12-188/UGMT**

| Mounting Config. | Fixture | LED | CCT | Distribution Type | Driver | Lens | Optional Control Receptacle | Option Control | Option Fuse | Pole <small>See Pole Spec Sheets</small> | Finish |
|------------------|---------|-----|-----|-------------------|--------|------|-----------------------------|----------------|-------------|---|--------|
| | | | | | | | | | | | |

Mounting Configuration

(Click here to link to mounting configuration specification page)

- IW • 2A • 3A90 • 1AM
- PT • 2A90 • 3APT • 2AM
- 1A • 2APT • 4A
- 1APT • 3A • 4APT

W = Wall Mount A = Arm Mount AM = Arm Mid-Mount

Fixture

- LU660

LED

- 72L

CCT - Color Temperature (K)

- 27(00) • 30(00) • 40(00) • 50(00)

Distribution Type

- TS (symmetric)

Driver

- MDL02 (120v-277V, 225mA)
- MDH02 (347v-480V, 225mA)
- MDL03 (120v-277V, 300mA)
- MDH03 (347v-480V, 300mA)
- MDL04 (120v-277V, 400mA)
- MDH04 (347v-480V, 400mA)

Lens

- SV2 (Soft Vue Moderate Diffused Acrylic)

Options (Click here to view accessories sheet)

- R 3-Pin control receptacle only
- R5 5-Pin control receptacle only
- R7 7-Pin control receptacle only
- PE¹ Twist-Lock Photocontrol (120V-277V)
- PE³ Twist-Lock Photocontrol (347V)
- PE⁴ Twist-Lock Photocontrol (480V)
- SC¹ Shorting Cap
- PEC Electronic Button Photocontrol (120V-277V)
- PEC4 Electronic Button Photocontrol (480V)
- FHD² Double Fuse and Holder

¹ Requires control receptacle

² Ships loose for installation in base

Pole (Click here to link to pole specification page)

See Pole specification sheets.

Finish

Standard Urban Finishes (Click here to view paint finish sheet)

- UGMT Gun Metal Textured
- UGM Gun Metal Matte
- UBT Urban Bronze Textured
- UB Urban Bronze Matte
- ULBT Urban Light Bronze Textured
- ULB Urban Light Bronze Matte
- USLT Urban Silver Textured
- USL Urban Silver Matte
- UWHT Urban White Textured
- UWH Urban White Matte
- UCHS Urban Champagne Satin Smooth
- BKT Black Textured

Custom Urban Finishes³

- CM Custom Match

³ Smooth finishes are available upon request.

Specifications

Fixture

Designed to elegantly flare from a 4" round pole, the LU660 is the solution for area lighting on poles ranging in height from 10' to 14'. Available in 4 standard CCTs and 3 different drive currents, the LU660's smooth symmetrical output can be tailored to your site requirements. Its SoftVue™ lens and indirect optical design are specifically engineered to maximize visual comfort at lower mounting heights, closer to eye level. Constructed of high quality die cast aluminum, the fixture carries an IP65 rating, includes a dimming driver, and offers the option of a 7-pin receptacle for integration with wireless controls nodes. The cast aluminum slipfitter slips a 3" OD x 3" tall tenon. The luminaire shall be UL listed in the US and Canada.

LEDs

The luminaire shall use high output, high brightness LED's. They shall be mounted in arrays, on printed circuit boards designed to maximize heat transfer to the heat sink surface. The LED's and printed circuit boards shall be 100% recyclable; they shall also be protected from moisture and corrosion by a conformal coating. They shall not contain lead, mercury

or any other hazardous substances and shall be RoHS compliant. The LED life rating data shall be determined in accordance with IESNA LM-80. The High Performance white LED's will have a life expectancy of approximately 100,000 hours with not less than 70% of original brightness (lumen maintenance), rated at 25°C. The High Brightness, High Output LED's shall be 4000K (2700K, 3000K or 5000K option) color temperature with a minimum CRI of 80. Consult factory for custom color CCT. The luminaire shall have a minimum _____ (see table) delivered initial lumen rating when operated at steady state with an average ambient temperature of 25°C (77°F).

Optics

The optical system shall consist of a multi-piece segmented optical image duplicating system using reflector pieces of polished Alzak™, the unit includes Sternberg's SoftVue™ lens system which provides unparalleled glare mitigation.

Electronic Drivers

The LED driver shall be U.L. Recognized. It shall be securely mounted inside the fixture, for optimized performance and longevity. It shall be supplied with a quick-disconnect electrical connector on the power supply, providing easy power connections and fixture installation. It shall have overload, overheat and short circuit protection, and have a DC voltage output, constant current design, 50/60HZ. It shall be supplied with line-ground, line-neutral and neutral-ground electrical surge protection in accordance with IEEE/ANSI C62.41.2 guidelines. It shall be a high efficiency driver with a THD less than 20% and a high power factor greater than .9. It shall be dimming capable using a 0-10v signal, consult factory for more information.

Photocontrols

Button Style: The photocontrol shall be mounted on the fixture and pre-wired to driver. The electronic button type photocontrol is instant on with a 5-10 second turn off, and shall

See next page

LU660 LUNARIA SERIES

LED

turn on at 1.5 footcandles with a turn-off at 2-3 footcandles. Photocontrol is 120-277 volt and warranted for 6 years. See pole spec sheet for pole mounted version.

Twist-Lock Style: The photocontrol shall be mounted externally on the fixture and pre-wired to driver. The twist lock type photocontrol is instant on with a 3-6 second turn off, and shall turn on at 1.5 footcandles with a turn-off at 2-3 footcandles. Photocontrol is 120-277 volt and warranted for 6 years.

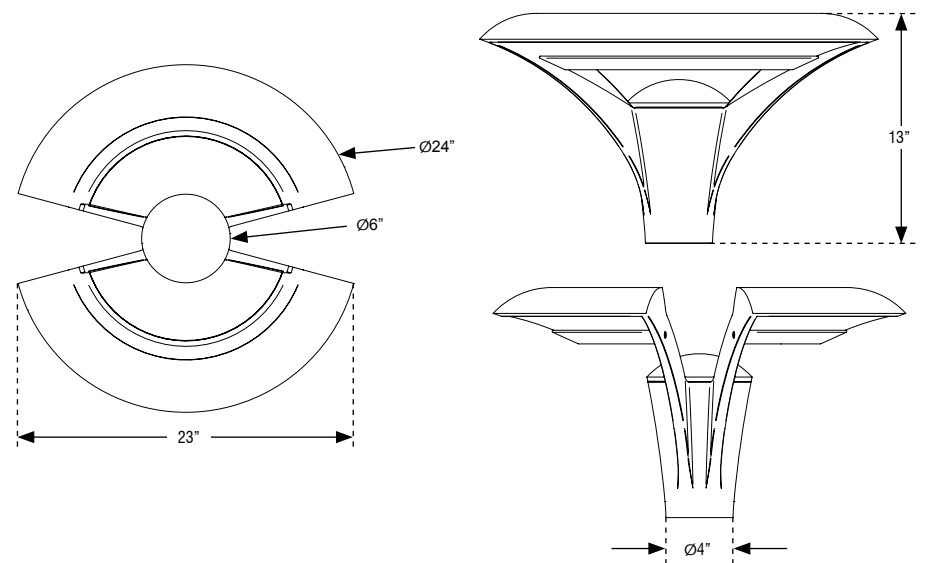
Warranty

Seven-year limited warranty. See product and finish warranty guide for details.

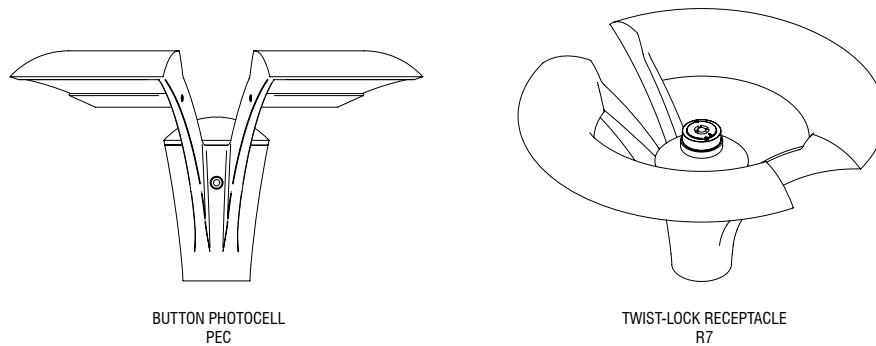
Finish

Refer to website for details.

Fixtures



Options



Performance

| MODEL # | TS DELIVERED LUMENS | EFFICACY (LPW) | WATTS |
|---------------|---------------------|----------------|-------|
| 72L40T_-MDL04 | 5625 | 54.1 | 104 |
| 72L30T_-MDL04 | 5380 | 51.7 | 104 |
| 72L27T_-MDL04 | 5135 | 49.4 | 104 |
| 72L40T_-MDL03 | 4600 | 60.5 | 76 |
| 72L30T_-MDL03 | 4400 | 57.9 | 76 |
| 72L27T_-MDL03 | 4200 | 55.3 | 76 |
| 72L40T_-MDL02 | 3640 | 65.0 | 56 |
| 72L30T_-MDL02 | 3480 | 62.1 | 56 |
| 72L27T_-MDL02 | 3325 | 59.4 | 56 |



SternbergLighting

ESTABLISHED 1923 / EMPLOYEE OWNED

800-621-3376
555 Lawrence Ave., Roselle, IL 60172
info@sternberglighting.com
www.sternberglighting.com

8/19 STERNBERG LIGHTING. ALL RIGHTS RESERVED. PRINTED IN THE USA.