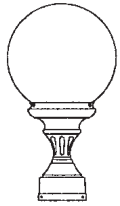


# G8 GLOBES RESIDENTIAL SERIES

# SPECIFICATIONS

FIXTURES	SOCKET TYPE	BB BALLAST BOX
----------	-------------	----------------



**G8/30**



**MED**  
Single Medium  
Base Socket



**CF**  
Compact  
Fluorescent

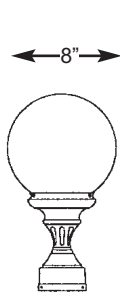
**879BB** - Medium  
Scale for up to 50  
watt ballasts



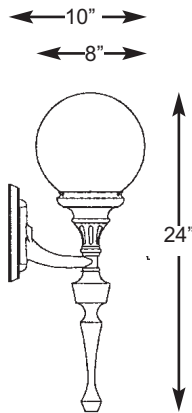
**27BB** - Hanging or  
Pier for up to 50  
watt ballasts



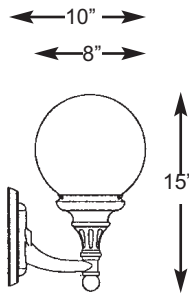
GLOBES
--------



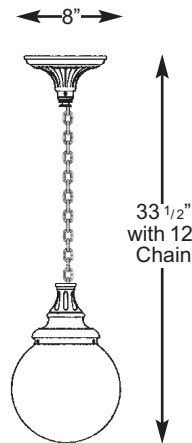
**G8/30**



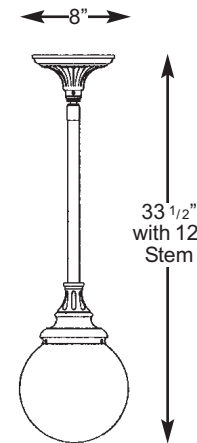
**G8/LF**



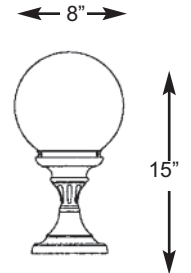
**G8/16**



**G8/HCH**



**G8/HSH**



**G8/35**

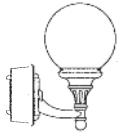
NOTE: G8 Series requires ballast box  
Add 3" on extensions for ballast box.  
\*Remote ballast box required if HID or CF.

# BUILDING A PART NUMBER



## POST & ARM FIXTURES

ARM MOUNTED FIXTURE NO. OF ARMS	CENTER POST TOP FIXTURE (PT) FIXTURE	POST (See Post Section)	POST CAP	LIGHT SOURCE BALLAST WATTS / TYPE / VOLTS	OPTICS	OPTIONS	LENS	FINISH
2	G8/30/78PM		3412FP5	FCC / 50HPS120		HPS50/MED	CSA	BKT



## WALL FIXTURES

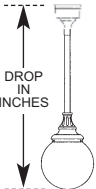
FIXTURE / WALL BRACKET	LIGHT SOURCE BALLAST WATTS / TYPE / VOLTS	OPTICS	OPTIONS	LENS	FINISH
G8/16/879BB	50HPS120		HPS50/MED	WA	BKT



**PIER FIXTURES**  
Uses same information boxes as wall fixture

G8/35/MED

FIXTURE / PIER BASE



## HANGING FIXTURES

FIXTURE / HANGING BRACKET	OVERALL DROP IN INCHES	LIGHT SOURCE BALLAST WATTS / TYPE / VOLTS	OPTICS	OPTIONS	LENS	FINISH
G8/HS27BB	12 INCHES	50HPS120		HPS50/MED	WA	BKT

## PART NUMBER SELECTIONS

### FIXTURES<sup>1</sup>

- G8/16
- G8/30
- G8/35
- G8/LF
- G8/HCH
- G8/HS27BB

### LENSES

- WA
- WP

### OPTIONS

- LAMPS  
Select from List

### BALLASTS<sup>1,4</sup>

- 35HPS<sup>2</sup>
- 50HPS
- 50MHP
- 26PLT
- 32PLT
- 42PLT
- INCAND  
(100 watt max.)

### BB - BALLAST BOX

- 879BB - Medium Scale for up to 50 watt ballasts
- 27BB - Hanging or Pier for up to 50 watt ballasts

### LAMPS<sup>5</sup>

- HPS35/MED
- HPS50/MED
- MHP50/MED
- PLT26
- PLT32
- PLT42

### STANDARD FINISHES\*

- BKT Black Textured
- WHT White Textured
- PGT Park Green Textured
- ABZT Architectural Medium Bronze Textured
- DBT Dark Bronze Textured

\*Smooth Finishes are available upon request

### OPTICS

- MED
- CF

### CUSTOM FINISHES

- OI Old Iron
- RT Rust
- WBR Weathered Brown
- CD Cedar
- WBK Weathered Black
- TT Two Tone

### STERNBERG SELECT FINISHES

- VG Verde Green
- SI Swedish Iron
- OWGT Old World Gray Textured

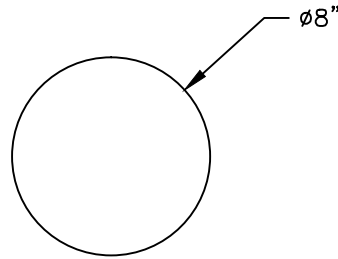
### NOTES:

- 1 Pole mounted fixtures - requires ballast to be mounted in pole base.
- 1 Wall mounted fixtures - requires wall bracket arms with ballast box.
- 1 Pier mounted fixtures - require PB27BB if ballasted.
- 1 Hanging fixtures - require CH/SH27BB if ballasted.
- 2 35HPS is 120 volt only.
- 3 Medium base socket only when used to house lamp.
- 4 Medium base sockets standard with HID ballasts. 4-pin for PL
- 5 Metal halide systems are pulse start.

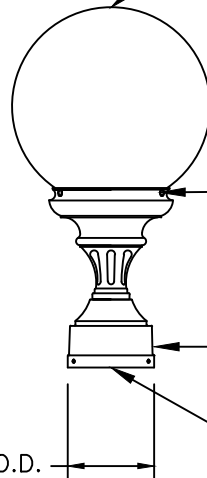
# G8 / 30 GLOBE

ALL ELECTRICAL COMPONENTS ARE U.L. OR E.T.L. LISTED IN USA AND CANADA.

FIXTURE WILL BE PREWIRED AND TESTED. MOUNTING HARDWARE IS SUPPLIED.



8" DIA. GLOBE AVAILABLE IN WHITE POLYCARBONATE, WHITE ACRYLIC AND WHITE GLASS.



GLOBE SECURED WITH 3 SET SCREWS

POST TOP STYLE

3 1/2" O.D.

AVAILABLE IN WALL BRACKET, PIER BASE OR HANGING.

SECURED WITH SET SCREWS

Ø3 1/8" I.D. OPENING TO SLIP 3" OD X 1 1/2" TALL TENON



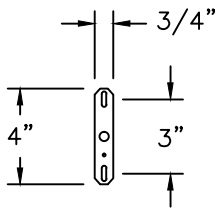
G8/30 GLOBE

DRAWN	LMG
DRAWN DATE	MAR 21 2011
3/16"=1'	DRAWING NUMBER

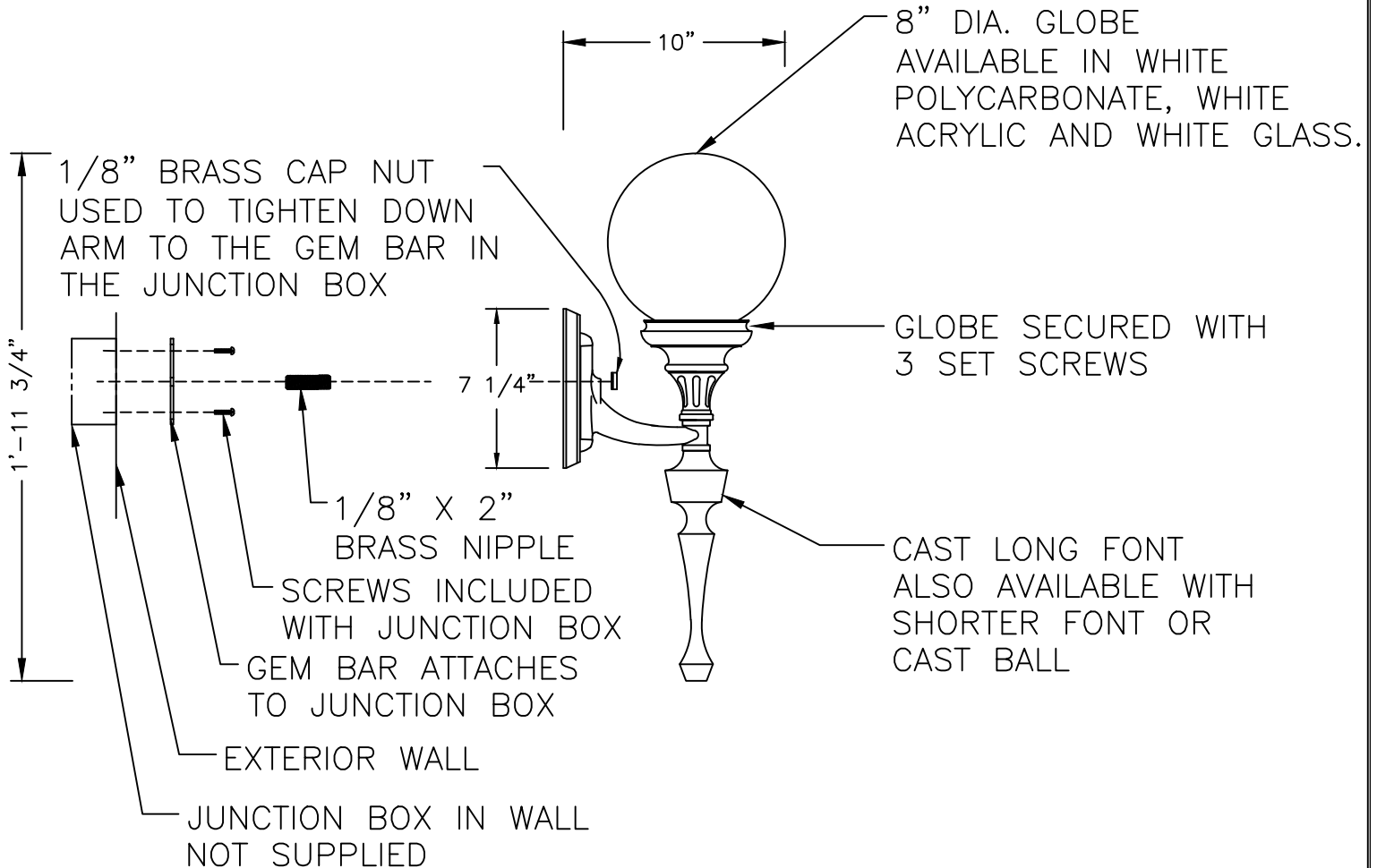
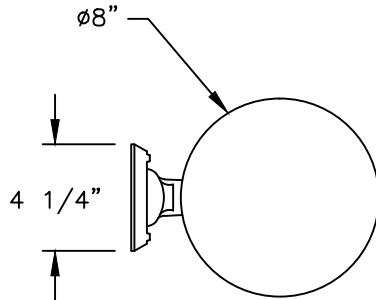
# G8 / LF GLOBE

ALL ELECTRICAL COMPONENTS ARE U.L. OR E.T.L. LISTED IN USA AND CANADA.

FIXTURE WILL BE PREWIRED AND TESTED. MOUNTING HARDWARE IS SUPPLIED.



GEM BAR



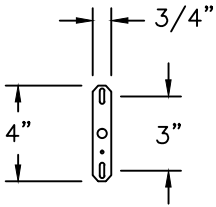
G8/LF GLOBE

3/16"=1'	DRAWN	LMG
	DRAWN DATE	MAR 21 2011
		DRAWING NUMBER

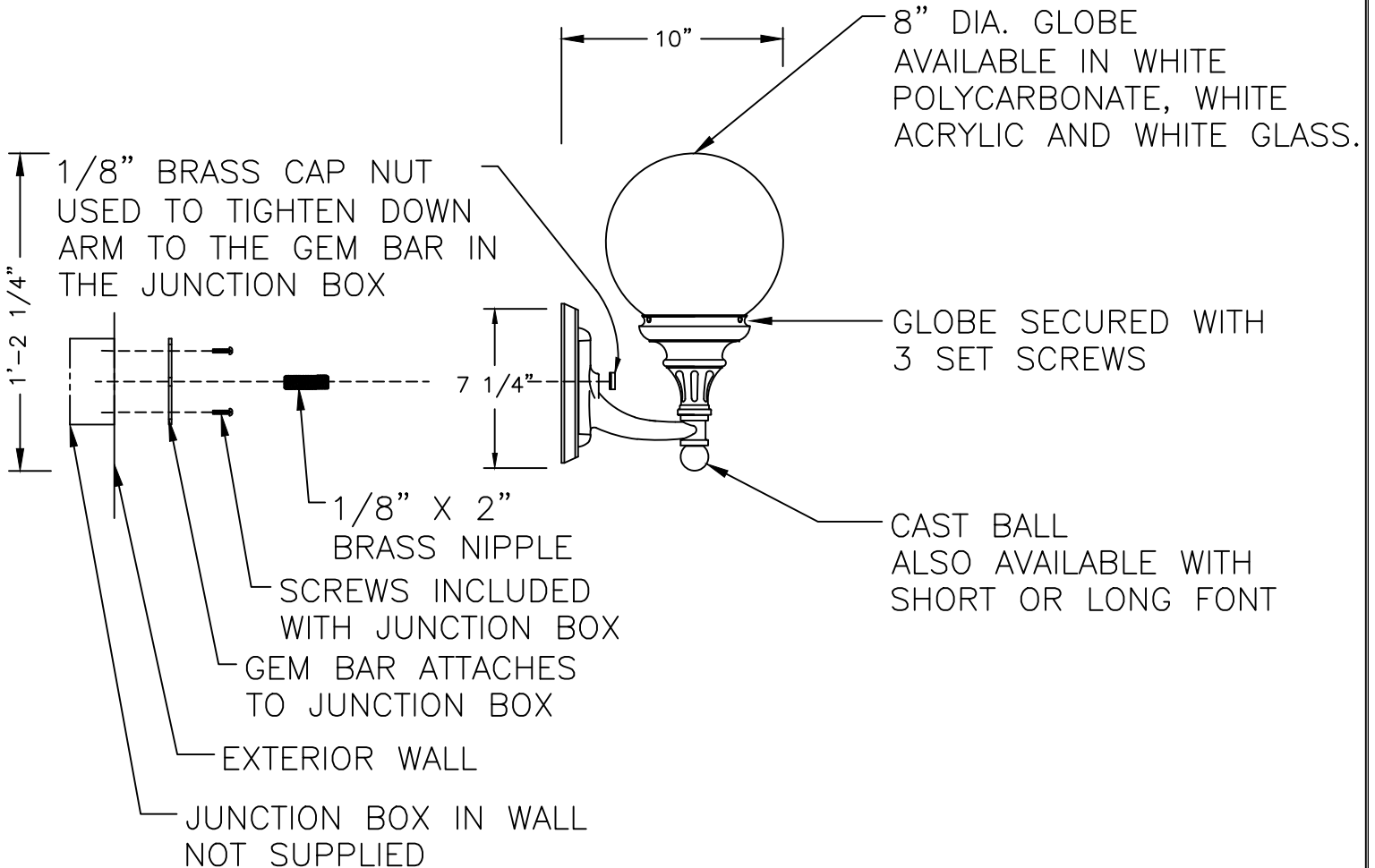
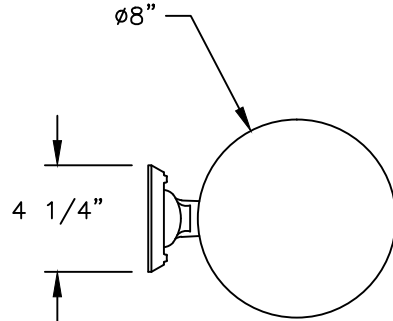
# G8 / 16 GLOBE

ALL ELECTRICAL COMPONENTS ARE U.L. OR E.T.L. LISTED IN USA AND CANADA.

FIXTURE WILL BE PREWIRED AND TESTED. MOUNTING HARDWARE IS SUPPLIED.



GEM BAR



**STERNBERG**  
SINCE 1923

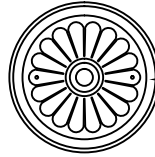
G8/16

3/16"=1'	DRAWN	LMG
	DRAWN DATE	MAR 22 2011
		DRAWING NUMBER

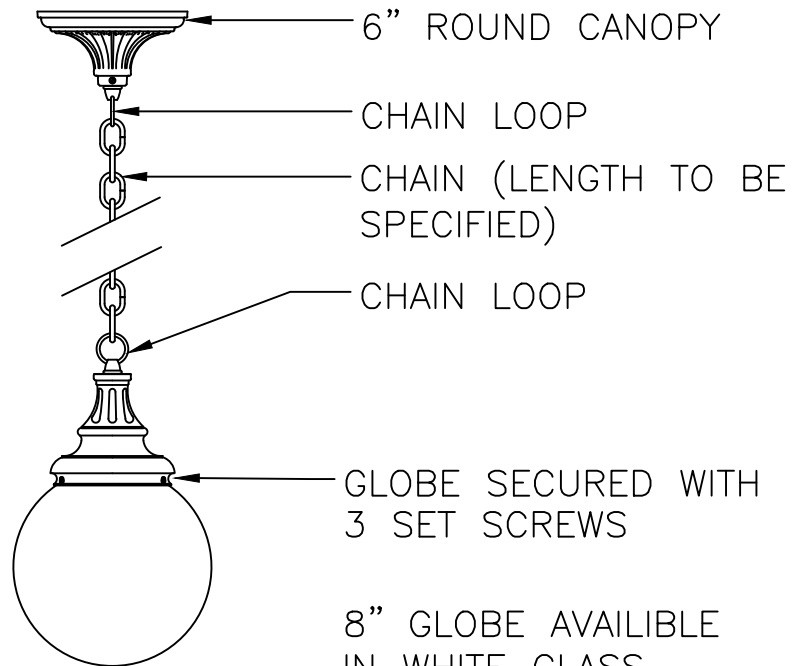
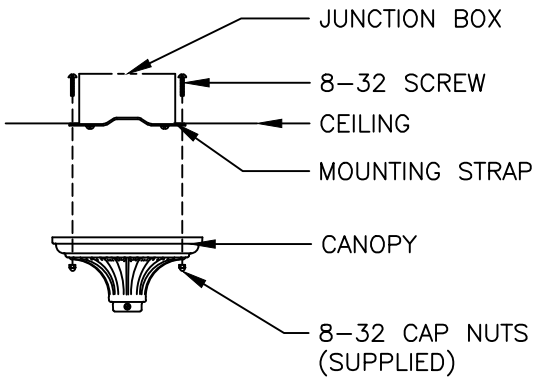
# G8 / HCH GLOBE

ALL ELECTRICAL COMPONENTS  
ARE U.L. OR E.T.L. LISTED IN  
USA AND CANADA.

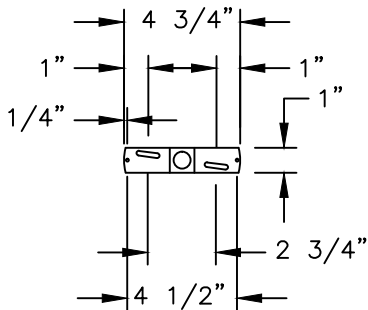
FIXTURE WILL BE PREWIRED  
AND TESTED. MOUNTING  
HARDWARE IS SUPPLIED.



CANOPY SECURED WITH  
(2) 8-32 CAPNUTS



8" GLOBE AVAILABLE  
IN WHITE GLASS,  
WHITE ACRYLIC AND  
WHITE POLYCARBONATE



MOUNTING STRAP

**STERNBERG**

SINCE 1923

G8/HCH

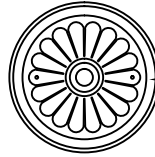
3/16"=1'

DRAWN LMG  
DRAWN DATE MAR 22 2011  
DRAWING NUMBER

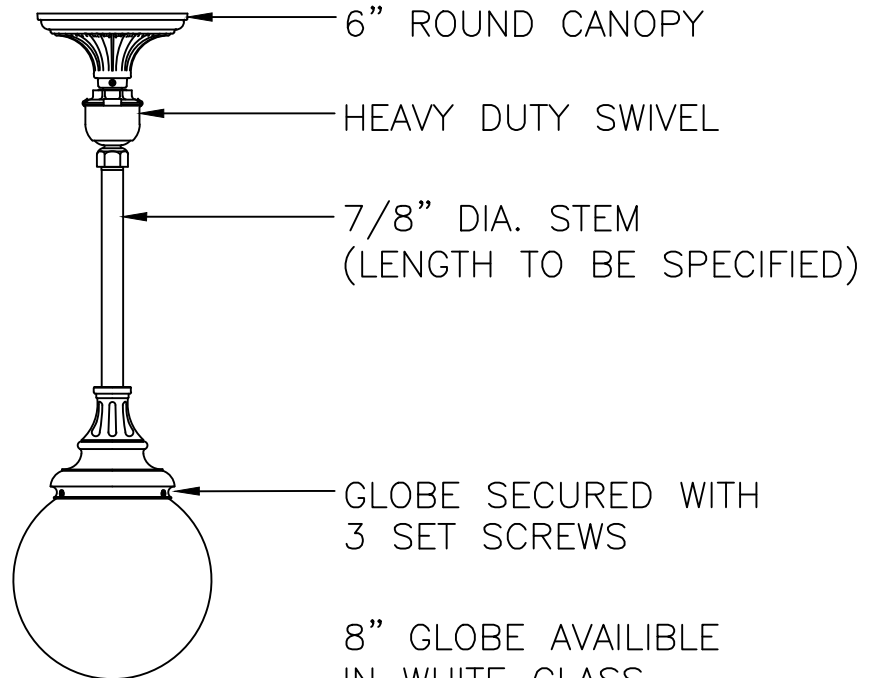
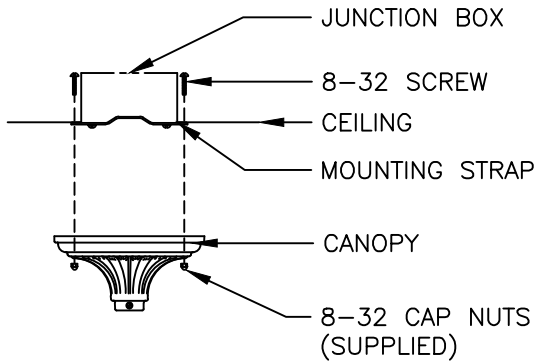
# G8 / HSH GLOBE

ALL ELECTRICAL COMPONENTS  
ARE U.L. OR E.T.L. LISTED IN  
USA AND CANADA.

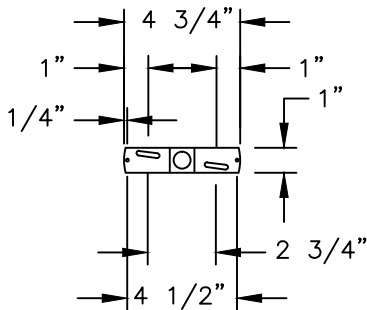
FIXTURE WILL BE PREWIRED  
AND TESTED. MOUNTING  
HARDWARE IS SUPPLIED.



CANOPY SECURED WITH  
(2) 8-32 CAPNUTS



8" GLOBE AVAILABLE  
IN WHITE GLASS,  
WHITE ACRYLIC AND  
WHITE POLYCARBONATE



MOUNTING STRAP

**STERNBERG**

SINCE 1923

G8/HSH

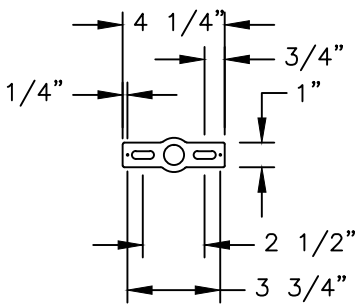
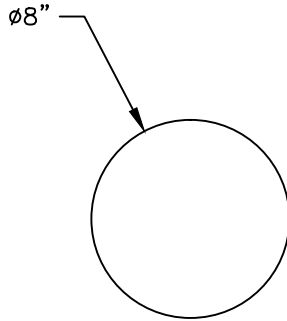
3/16"=1'

DRAWN LMG  
DRAWN DATE MAR 22 2011  
DRAWING NUMBER

# G8 / 35 GLOBE

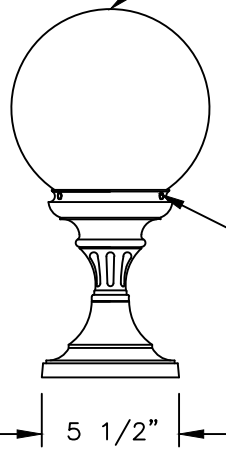
ALL ELECTRICAL COMPONENTS ARE U.L. OR E.T.L. LISTED IN USA AND CANADA.

FIXTURE WILL BE PREWIRED AND TESTED. MOUNTING HARDWARE IS SUPPLIED.



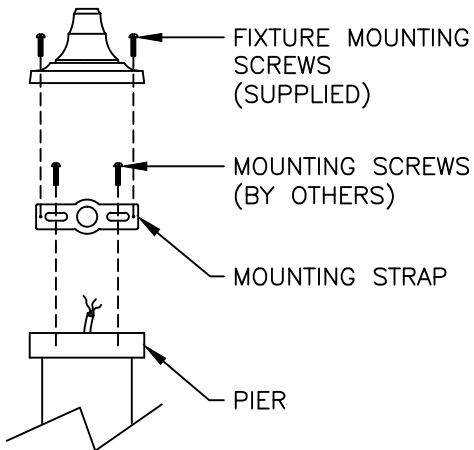
MOUNTING STRAP

8" DIA. GLOBE AVAILABLE IN WHITE POLYCARBONATE, WHITE ACRYLIC AND WHITE GLASS.



GLOBE SECURED WITH 3 SET SCREWS

5 1/2"

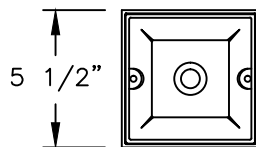


FIXTURE MOUNTING SCREWS (SUPPLIED)

MOUNTING SCREWS (BY OTHERS)

MOUNTING STRAP

PIER



PIER BASE SECURED WITH (2) 10-24 X 5/8" RHMS

STERNBERG

SINCE 1923

G8/35

3/16"=1'

DRAWN LMG  
 DRAWN DATE MAR 22 2011  
 DRAWING NUMBER