

G743 / G745 HOMETOWN SERIES

SPECIFICATIONS

GENERAL

The G743 / G745 Hometown series is a nostalgic 1920's glass acorn fixture with distinct styling which consists of a decorative cast aluminum fitter, cast ballast housing assembly and a high efficiency prismatic glass acorn . It shall be appointed with or without a cast aluminum decorative 4-vane finial.

FITTER - STANDARD

The fitter shall be heavy wall cast aluminum, 356 alloy for high tensile strength. It shall have an 8 1/2" inside diameter opening to attach to the 8" neck of the acorn globe. When ordered with a Sternberg aluminum pole, the fitter shall be welded to the pole top or tenon for safety and to ensure the fixture will be plumb, secure and level over the life of the installation. The fitter shall have a one-piece ring bug gasket to resist insect penetration into lamp assembly.

STANDARD FITTER-TL FOR QUICK & TOOL-LESS REMOVAL OF ACORN

The fitter shall be heavy wall cast aluminum, 356 or 360 alloy for high tensile strength. It shall have an 9 1/4" inside diameter opening to attach to the 8" neck of the acorn globe. When ordered with a Sternberg aluminum pole, the fitter shall be set screwed to the pole top or tenon. The fitter shall have an aluminum die cast twist-lock mechanism for tool-less, 1/4 turn installation and removal of acorn globe. The acorn is provided with a die cast mating collar which is easily removed and reused if acorn replacement is ever performed.

990 FITTER SERIES OPTION

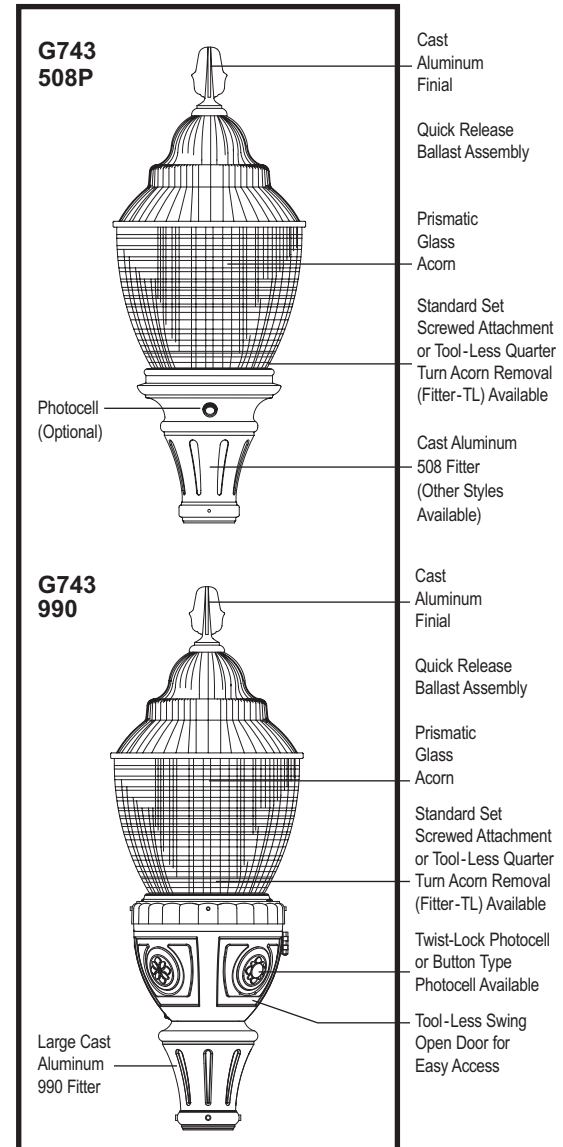
The fitter shall be heavy wall cast aluminum, 360 die cast alloy for high tensile strength. It shall have a 9 1/4" inside diameter opening to attach to the 8" neck of the acorn globe. It shall have a hinged, tool-less entry door that provides open access to all of the components. The 990 shall have an optional terminal block for ease of wiring, an optional Twist-Lock Photocell receptacle, an optional single GFCI outlet for auxiliary power needs. The top mounted ballast mounting plate shall be cast aluminum and provide tool-less removal from the housing using 2 finger latches. When ordered with a Sternberg aluminum pole, the fitter shall be set screwed to the pole top or tenon. The fitter shall have a one-piece ring bug gasket to resist insect penetration into lamp assembly. When supplied with GFI receptical a hole will be provided for cord and plug installation with the access door closed. When cord and plug is not in use a filler plug will be provided and shall be tethered to the fitter for easy recovery and installation.

990 TL FITTER (OPTIONAL)

The TL (Twist-Lock) fitter version of the 990 shall have an aluminum die-cast twist-lock mechanism. The tool-less 1/4 turn action allows for easy globe removal and replacement. A die-cast ring assembly is mechanically attached to the globe and is removable if the globe is broken or replaced.

ELECTRICAL

Fixture shall be U.L. or E.T.L. listed in U.S. and Canada. H.I.D. ballasts shall be high power factor with lamp starting



**EPA = 1.41 (ft²)
WEIGHT = 30 LBS**

**LIST NO.
G743 / G745
HOMETOWN
SERIES**

G743/G745 HOMETOWN

ACORNS / FITTERS / ARMS PM - WB

ACORNS / OPTIONAL TOPS / OPTICAL SYSTEMS

14" W	14" W	14" W	14" W	15" W		
33"	23"	19"	25"			
	G743 Type 3 G744 Type 4 G745 Type 5 Distribution	G743NF G745NF No Finial	G743SR G745SR Solid Roof	PBDR1 Option Polished Brass Decorative Ring	COR Cut Off Reflector	HSS House Side Shield

FITTERS

10 1/8" W 10 1/8" H	10 1/8" W 10 1/8" H	10 1/8" W 10 1/4" H	10 1/8" W 1 1/4" H	10 1/8" W 1 1/4" H	10 1/8" W 1 1/4" H	10 1/2" W 1 5/8" H	10 1/2" W 1 3/8" H	10 1/2" W 1 3/8" H	10 1/2" W 1 5/8" H
5P or 5T* (508) Fits 3" poles or tenons and arms below	BD4 (508BD4) Fits 4" poles or tenons	BD5 (508BD5) Fits 5" poles or tenons	B7 (508B7) Fits 7" poles or tenons	BD7 (508BD7) Fits 7" poles or tenons	7 or 7T* (708) Fits 4" poles or tenons - 3" with adapter & large arms	990 or 990T* Fits 3" poles or tenons and large arms	991 or 991T* Fits 3" poles or tenons and large arms	992 or 992T* Fits 3" poles or tenons and large arms	993 or 993T* Fits 3" poles or tenons and large arms

*Twist Lock Acorn (Fitter TL)

ARMS - POST MOUNT (PM) or WALL BRACKETS (WB)

See Arms Section for more information

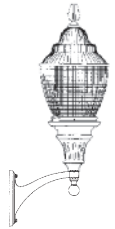
 80 (80D Downswept Arm) 11 3/4" W 10 1/8" H	 50 11 1/2" W 18" H	 478TS 16 1/4" W 21 3/8" H	 TASC 16 1/2" W 17" H	 579 19 5/8" W 18" H
 480 17 3/4" W 15 1/4" H	 39WB Only 11 1/4" W 19 7/8" H	 478 16 1/4" W 15 1/4" H	 TA 16 1/2" W 11 1/4" H	 779 34" W 31 1/2" H
 6236 18 3/8" W 15 1/8" H 11-13	 450PB 10 1/2" W 3 3/4" H	 55L 16 1/4" W 15 1/4" H	 BAPT Twin Only 27 1/2" W 24" H	 70 17 7/8" W 22 3/4" H

BUILDING A PART NUMBER



POST & ARM FIXTURES

ARM MOUNTED FIXTURES	CENTER POST TOP FIXTURE (PT)	POST	POST CAP	LIGHT SOURCE BALLAST	OPTICS	OPTIONS	FINISH
NO. OF ARMS ACORN / FITTER / POSTARM	ACORN / FITTER	(See Post Section)	WATTS / TYPE / VOLTS				
2	G743/5P/TAPT	PT	6212TFP6	BCC	100 HPS120	HSS	PEC1 / BKT



WALL FIXTURES

ACORN / FITTER / WALL BRACKET	LIGHT SOURCE BALLAST	OPTICS	OPTIONS	FINISH	PIER BASE Uses same information boxes as wall fixture
G743/5P/80WB	100 HPS120		PEC1	BKT	G743/5P/450PB

FIXTURE / FITTER / PIER BASE



PART NUMBER SELECTIONS

FIXTURES

- G743
- G744
- G745
- G743NF
- G744NF
- G745NF
- G743SR
- G744SR
- G745SR

FITTERS

- 5P or 5T
- 7 or 7T
- 990 or 990T
- 991 or 991T
- 992 or 992T
- 993 or 993T
- BD4
- BD5
- BD7
- B7

POST ARMS

- 50PM
- 50DPM
- 78PM
- 478PM
- 478TSPM
- 70PM**
- 80PM
- 80DPM
- 480PM
- 480DPM
- 55PM
- 55LPM
- 779PT
- 6236PM
- 579PT
- TAPT
- TASCRIPT
- BAPT
- Twin Only

WALL BRACKET ARMS

- 50WB
- 50DWB
- 478WB
- 478TSWB
- 70WB**
- 80WB
- 80DWB
- 480WB
- 480DWB
- 55WB
- 55LWB
- 6236WB
- 579WB
- TAWB
- TASCRRWB
- 39WB**

**No fitter required

BALLASTS³

- 35HPS¹
- 50HPS
- 70HPS
- 100HPS
- 150HPS
- 250HPS³
- 50MHP
- 70MHP
- 100MHP
- 150MHP
- 250MHP³

VOLTAGES

- 120
- 208
- 240
- 277
- 480
- MULTI (120-277)

LAMPS⁵

- HPS35/MED
- HPS50/MED
- HPS70/MED
- HPS100/MED
- HPS150/MED
- HPS250/MOG/ED18
- MHP50/MED
- MHP70/MED
- MHP100/MED
- MHP150/MED
- MHP250/MOG/ED28³

OPTICS

- HSS
- ALZAK
- COR

PIER BASE

- 450PB

STANDARD FINISHES*

- BKT Black Textured
- WHT White Textured
- PGT Park Green Textured
- ABZT Architectural Medium Bronze Textured
- DBT Dark Bronze Textured

*Smooth Finishes are available upon request

CUSTOM FINISHES

- OI Old Iron
- RT Rust
- WBR Weathered Brown
- CD Cedar
- WBK Weathered Black
- TT Two Tone

STERNBERG SELECT FINISHES

- VG Verde Green
- SI Swedish Iron
- OWGT Old World Gray Textured

OPTIONS

- PBDR² Perforated Brass Decorative Ring
- PEC1 Photocell-Bimetal 120 Volt
- PEC2 Photocell-Bimetal 208-277 Volt
- PEC1-E Photocell-Electronic 120 Volt
- PEC2-E Photocell-Electronic 208-277 Volt
- R⁴ Receptacle Only for Twist-Lock Photo Cell
- R1⁴ Twist-Lock Photo Cell 120-277 Volt
- G⁴ GFI 15 Amp for 990 Fitter
- FHS Single Fuse & Holder-120, 277 Volt
- FHD Dual Fuse & Holder-208, 240, 480 Volt
- QR Quartz Re-Strike
- PF Pineapple Finial or Font (TA, TASCRR)
- BF Ball Finial or Font (TA, TASCRR)
- LAMPS Select from List

NOTES:

- ¹ 35HPS is 120 volt only.
- ² Standard is polished. If painted specify PBDR1-P.
- ³ Medium base sockets standard with ballasts up to 250 watts.

- Mogul base can be used, however lamp would be mounted in base up position or remotely.
- ⁴ For 990 or 990T series fitter only.
- ⁵ Metal halide systems are pulse start.

G743 / G745 HOMETOWN SERIES**SPECIFICATIONS****LIST NO.
G743 / G745
HOMETOWN
SERIES**

down to -30 degrees C. Medium base and mogul base porcelain sockets are 4KV rated. The ballast/socket assembly shall be pre-wired when ballast is located in the fitter. Ballasts shall be DOE EISA compliant.

ACORN GLASS GLOBE

The acorn globe shall be 14" in diameter and 23" tall with an 8" diameter aluminum neck. It will be made of heavy wall clear borosilicate glass. The prismatic glass acorn shall be specified in I.E.S. Type 3 (Model G743), Type 4 (Model G744) or Type 5 (Model G745) light distribution. The acorn globe is available in a solid roof (G743SR / G744R/G745SR) for added distinction and reduced up-light. The solid roof will be made of spun aluminum and securely affixed to the top of the acorn. The optional perforated brass decorative ring (PBDR1) is available in polished brass or painted finish. The 1 1/2" wide brass filigree allowing light transfer through decorative openings.

OPTICAL OPTIONS

The **Alzak Disc** is an optional shield to help direct light downward.

Cut Off Reflector (COR) – **NIGHTSKY**[®] refractor optics distribution shall be delivered by a multi-segmented reflector system which eliminates up light and provides cut off. The reflector cavity shall be made of specular anodized aluminum.

House Side Shield (HSS) an option which will block 120° of light in any one direction.

QUARTZ RE-STRIKE

The G743 / G745 fixture can be supplied with an optional quartz re-strike system to retain constant fixture light if the H.I.D. lamp fails. The fixture will be equipped with a 100 watt quartz lamp and a controller to run on a 120 volt circuit and must be used in conjunction with a 120 volt or multi-tap ballast.

PHOTOCELLS

Photocells shall be either the thermo bi-metal button type or the electronic button type. On single post top fixtures the photocell shall be mounted in the fitter and pre-wired to ballast. On multiple head fixture assemblies photocells shall be mounted in the pole shaft on an access plate and are not pre-wired as ballast housing assemblies and fitters are packaged separately for ease of wiring to source. The thermo bi-metal photocell shall be designed to turn on at 1.0 footcandle and turn off at not more than 5 footcandles. The electronic button type photocell is instant on and a 5-10 second turn off and shall turn on at 1.5 footcandles with a turn-off at 2-3 footcandles. Photocells are either 120 volt or 208 thru 277 volt.

ARMS

All arms are made of cast aluminum and/or extruded aluminum. Arms with decorative filigree have meticulously detailed scroll work and gracefully curved brackets. All G743 / G744 / G745 fixtures will have its fitter either welded to the arm or will be mechanically attached at the factory to ensure arms will be plumb, secure and level over the life of the installation. Each arm shall be bolted to a post mount adapter, which is welded to the pole to ensure proper alignment to the base. Twin TA, TASCAR and 579 arms will be attached to a decorative center hub which will slip-fit the center tenon of the pole (not shown). BA and 779 arms are available as a twin application. Arms are pre-wired for ease of installation.

FINISH

Prior to coating, each assembly shall be chemically cleaned and etched in a 5-stage washing system which includes alkaline cleaning, rinsing, phosphoric etching, reverse osmosis water rinsing, and non-chrome sealing to ensure corrosion resistance and excellent adhesion for the finish coating. The finish coating shall be electrostatically applied semi-gloss, super durable polyester powder baked at 400 degrees for a durable and superior, color retentive finish. Our optional antique Verde Green finish and Swedish Iron finish are hand brushed using a 3-step process. The total assembly shall be wrapped in shockproof wrapping or fully enclosed in corrugated cartons.

WARRANTY

Five-year limited warranty. See product and finish warranty guide for details.

