



# F330 FLORENCE SERIES

**HID**

CLICK FOR FAQ'S  
**FAQ**

EPA 1.39 (ft<sup>2</sup>)  
WEIGHT 28 LBS

5 YEAR WARRANTY  
**5**

MAXIMUM WATTAGE 150W

UL LISTED  
**UL**

JOB NAME \_\_\_\_\_

FIXTURE TYPE \_\_\_\_\_

MEMO \_\_\_\_\_

## BUILD A PART NUMBER

ORDERING EXAMPLE: **2A-F330-100HPS120-RE5-MED-CA-FHS/478PM/3810TFP5/BKT**

Mounting Config.	Fixture	Ballast	Volts	Socket	Optic	Lens	Option Photo-control	Option Fuse	Option House Side Shield	Option Chimney	Option 3 Light Cluster	Lamps See Lamp Spec Sheet	Arm See Arm Spec Sheets	Pole See Pole Spec Sheets	Finish

### Mounting Configuration

(Click here to view mounting configuration sheet)

- 1W      • 2APT      • 1AM      • SH27
- PT      • 3A          • 2AM      • CH28
- 1A      • 3A90      • PB27      • SH28
- 1APT   • 3APT      • PB28      • CH44
- 2A      • 4A          • PB44      • SH44
- 2A90   • 4APT      • CH27

W = Wall Mount   PT = Post Top   APT = Post Top Arm Mid-Mount  
A = Arm Mount   AM = Arm Mid-Mount   PB = Pier Base  
SH = Stem Hung   CH = Chain Hung

### Fixture

- F330

### Ballast<sup>1, 2</sup>

- 35HPS<sup>3</sup>      • 70MHP      • 32CFL
- 50HPS      • 70MHPE      • 42CFL
- 70HPS      • 100MHP      • 57CFL
- 100HPS      • 100MHPE      • 70CFL
- 150HPS      • 150MHP      • 150MHP
- 50MHP      • 150MHPE      • INCAND
- 50MHPE      • 26CFL

<sup>1</sup> Medium base sockets standard with HID ballasts. 4-pin for CFL. MHPE metal halide systems electronic pulse start.

<sup>2</sup> Metal halide systems are pulse start.

<sup>3</sup> 35HPS is 120 volt only.

### Volts

- 120   • 208   • 240   • 277   • 347   • 480

### Socket

- MED      • 4P (4-Pin)

### Optic

- NONE   • RE3<sup>4</sup>   • RE5<sup>4</sup>   • RO3<sup>5, 6</sup>   • RO5<sup>5, 6</sup>

<sup>4</sup> If ballast is required select Electronic Metal Halide (MHPE) or CFL for roof mounting, otherwise ballast must be remote mounted.

<sup>5</sup> If ballast is required it must be remote mounted.

<sup>6</sup> Can support CFH or CFL up to 60 watts.

### Lens

- CA      • FA

### Options

- PEC Photocell-Electronic 120-277 Volt
- FHS<sup>7</sup> Single Fuse and Holder-120, 277 Volt

- FHD<sup>7</sup> Dual Fuse and Holder-208, 240, 480 Volt
- HSS House Side Shield
- FHC<sup>8</sup> Frosted Hurricane Chimney
- 3L<sup>9</sup> 3 Light Cluster

<sup>7</sup> Ships loose for installation in base.

<sup>8</sup> Recommend FHC option for frosted acrylic (FA) when not specifying roof optics (ROH-T).

<sup>9</sup> Candelabra base.

### Arm (Click here to view arm website page)

See Arms & Wall Brackets specification sheets.

- 478   • 480   • 1080   • 1082   • 1085   • 1087

### Pole (Click here to view pole website page)

See Pole specification sheets.

### Finish (Click here to view paint finish sheet)

#### Standard Finishes<sup>10</sup>

- BKT Black Textured
- WHT White Textured
- PGT Park Green Textured
- ABZT Architectural Medium Bronze Textured
- DBT Dark Bronze Textured

<sup>10</sup> Smooth finishes are available upon request.

#### Custom Finishes<sup>11</sup>

- CM Custom Match
  - OI Old Iron
  - RT Rust
  - WBR Weathered Brown
  - CD CeWdar
  - WBK Weathered Black
  - TT Two Tone
- <sup>11</sup> Custom colors require upcharge.
- #### Sternberg Select Finishes
- VG Verde Green
  - SI Swedish Iron
  - OWGT Old World Gray Textured

## Specifications

### Fixture

The fixture shall be 17-1/8" diameter and 32-3/4" tall. It shall be made of heavy wall cast aluminum. The F330 is the medium scale fixture in the Florence series.

### Ballast

The ballast shall be mounted in the roof of the fixture when the closed roof with refractor or frosted chimney option is chosen. The ballast can be mounted in a remote location or in the base of the pole, or when wall mounted in the optional ballast box compartment.

### Electrical

Fixture shall be UL listed in US and Canada. HID ballasts shall be high power factor with lamp starting down to -30 degrees C. Medium base and mogul base porcelain sockets are 4KV rated. The ballast/socket assembly shall be pre-wired when ballast is located in the fixture. Ballasts shall be DOE EISA compliant.

### Optical Options

**Refractors** shall be borosilicate glass with an IES type 3 or 5 distribution, using a vertically mounted lamp. It shall be secured to the socket/stem with 3/8" plated steel threaded pipe nipple and rest on a cast aluminum holder with anti-shock gasket. The refractor will be secured to cast holder with a quarter-turn internal aluminum twist ring for ease of maintenance.

**NIGHTSKY® STAR-SHIELD® Roof Optics** shall be a roof mounted reflector systems which eliminate up light and provide cut-off distribution. The reflector cavity shall be made of a one piece hydro formed reflector with semi specular finish. Distribution types 3 and 5 are available with a horizontally mounted lamp with a medium socket.

**Frosted Hurricane Chimney** shall be a frosted glass element which adds an authentic touch. It can be used to house a lamp with a medium base socket, or as an additional aesthetic feature used in conjunction with a roof optic system.

**3-Light Candelabra** cluster is an option for incandescent sources only, using candelabra type sockets.

See next page

## Photocontrols

**Button Style:** On single post top fixtures the photocontrol shall be mounted in the fitter and pre-wired to ballast. On multiple head fixture assembly's photocontrol shall be mounted in the pole shaft on an access plate and are not pre-wired as ballast housing assemblies and fitters are packaged separately for ease of wiring to source. The electronic button type photocontrol is instant on with a 5-10 second turn off, and shall turn on at 1.5 footcandles with a turn-off at 2-3 footcandles. Photocontrol is 120-277 volt and warranted for 6 years.

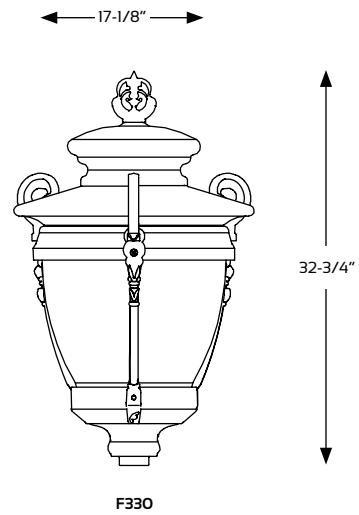
## Warranty

Five-year limited warranty. See product and finish warranty guide for details.

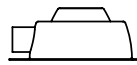
## Finish

Refer to website for details.

## Fixture Examples



## Optical Systems



**RO**  
Roof Optics  
Horizontal  
T3 or T5



**RE3**  
**RE5**  
Refractor



**FHC**  
Frosted  
Hurricane  
Chimney



**3L**  
3 Light  
Cluster