



# E450LED / E460LED EURO SERIES

LED

EPA  
E450LED 1.66 (ft<sup>2</sup>)  
E460LED 2.2 (ft<sup>2</sup>)  
WEIGHT  
E450LED 52 LBS  
E460LED 52 LBS

7 YEAR WARRANTY

LUMEN RANGE  
3,070 - 9,565

LIFE SPAN  
L70  
UP TO 100,000 HOURS

UL LISTED

CLICK FOR FAQ'S

RATED IP65

JOB NAME

FIXTURE TYPE

MEMO

## BUILD A PART NUMBER

ORDERING EXAMPLE: **2A-E450LED-R3-16L45T5-MDL10-SV1-PEC-FHD/EUIPM/3312P5/SCC/BKT**

Mounting Config.	Fixture	Fitter	LED	CCT	Type	Driver	Lens	Option Photocontrol	Option Fuse	Option House Side Shield	Arm See Arm Spec Sheets	Pole See Pole Spec Sheets	Finish

### Mounting Configuration

(Click here to view mounting configuration sheet)

- IW • 2A • 3A90 • 1AM
- PT • 2A90 • 3APT • 2AM
- 1A • 2APT • 4A • 55OPB
- 1APT • 3A • 4APT

W = Wall Mount PT = Post Top A = Arm Mount AM = Arm Mid-Mount PB = Pier Base

### Fixture

- E450LED • E460LED

### Fitter

- R3 • R4

### LED

- 16L • 21L • 28L

### CCT - Color Temperature (K)

- 27(00) • 35(00) • 45(00)

### Type

- T2 • T3 • T4 • T5

### Driver

- MDL10<sup>1</sup> (120v-277v, 1000mA)
- MDL14<sup>2</sup> (120v-277v, 1400mA)
- MDH10<sup>1</sup> (347v-480v, 1000mA)
- MDH14<sup>2</sup> (347v-480v, 1400mA)

<sup>1</sup> For use with 16L and 21L only.

<sup>2</sup> For use with 21L and 28L only.

### Lens

- CA<sup>3</sup> (Clear Acrylic)
- FA<sup>3</sup> (Frosted Acrylic)
- FL<sup>4</sup> (Flat Acrylic Lens)
- SG<sup>4</sup> (Sag Glass)
- FSG<sup>4</sup> (Frosted Sag Glass)
- SV1<sup>4</sup> (Flat Soft Vue Medium Diffuse Acrylic)
- SV2<sup>4</sup> (Flat Soft Vue Heavy Diffuse Acrylic)

<sup>3</sup> For use with E460LED only.

<sup>4</sup> For use with E450LED only.

### Options (Click here to view accessories sheet)

- PEC Electronic Photocontrol (120v-277v)
- PEC4 Electronic Photocontrol (480v)
- FHD<sup>5</sup> Dual Fuse and Holder
- HSS House Side Shield (external)

<sup>5</sup> Ships loose for installation in base.

### Arm (Click here to view arm website page)

See Arms & Wall Brackets specification sheets.

- HM • OL • OM • VC • VF • VL

### Pole (Click here to view pole website page)

See Pole specification sheets.

### Finish (Click here to view paint finish sheet)

#### Standard Finishes<sup>6</sup>

- BKT Black Textured
- WHT White Textured
- PGT Park Green Textured
- ABZT Architectural Medium Bronze Textured
- DBT Dark Bronze Textured

<sup>6</sup> Smooth finishes are available upon request.

#### Custom Finishes<sup>7</sup>

- CM Custom Match
- OI Old Iron
- RT Rust
- WBR Weathered Brown
- CD Cedar
- WBK Weathered Black
- TT Two Tone

<sup>7</sup> Custom colors require upcharge.

#### Sternberg Select Finishes

- VG Verde Green
- SI Swedish Iron
- OWGT Old World Gray Textured

## Specifications

### Fixture

This large scale contemporary fixture includes a cast aluminum roof, fitter and (4) sweeping support legs. The unit is provided with an acrylic tapered cylindrical molded lens matching the profile of the support legs (E460LED), or a flat acrylic lens allowing for an open body

(E450LED). The top mounted ballast mounting plate shall be cast aluminum and provide tool-less removal from the housing. The Luminaire shall be UL listed in US and Canada.

### Fitter

Standard cast aluminum fitter (R3) slips a 3" OD x 3" tall tenon or pole. Optional cast aluminum fitter (R4) slips a 4" OD x 3" tall tenon or pole.

### LED's

The luminaire shall use high output, high brightness LED's. They shall be mounted in arrays, on printed circuit boards designed to maximize heat transfer to the heat sink surface. The arrays shall be roof mounted to minimize up-light. The LED's and printed circuit boards shall be 100% recyclable; they shall also be protected from moisture and corrosion by a conformal coating of 1 to 3 mils. They shall not contain lead, mercury or any other hazardous substances and shall be RoHS compliant. The LED life rating data shall be determined in accordance with IESNA LM-80. The High Performance white LED's will have a life expectancy of approximately 100,000 hours with not less than 70% of original brightness (lumen maintenance), rated at 25°C. The High Brightness, High Output LED's shall be 4500K (3500K or 2700K option) color temperature with a minimum CRI of 70. Consult factory for custom color CCT. The luminaire shall have a minimum \_\_\_\_\_ (see table) delivered initial lumen rating when operated at steady state with an average ambient temperature of 25°C (77°F).

### Optics

The luminaire shall be provided with individual, refractor type optics applied to each LED. The luminaire shall provide Type \_\_\_\_ (2, 3, 4 or 5) light distribution per the IESNA classifications. Testing shall be done in accordance with IESNA LM-79.

See next page

## Electronic Driver

The LED driver shall be U.L. Recognized. It shall be securely mounted inside the fixture, for optimized performance and longevity. It shall be supplied with a quick-disconnect electrical connector on the power supply, providing easy power connections and fixture installation. It shall have overload as well as short circuit protection, and have a DC voltage output, constant current design, 50/60HZ. It shall be supplied with line-ground, line-neutral and neutral-ground electrical surge protection in accordance with IEEE/ANSI C62.41.2 guidelines. It shall be dimmable using a 0-10v signal. The driver shall have a minimum efficiency of 90%. The driver shall be rated at full load with THD<20% and a power factor of greater than 0.90. The driver shall contain over-heat protection.

## Photocontrols

**Button Style:** On a single assembly the photocontrol shall be mounted on the fixture and pre-wired to driver. On multiple head assembly's the photocontrol shall be mounted in the pole shaft on an access plate. The electronic button type photocontrol is instant on with a 5-10 second turn off, and shall turn on at 1.5 footcandles with a turn-off at 2-3 footcandles. Photocontrol is 120-277 volt and warranted for 6 years.

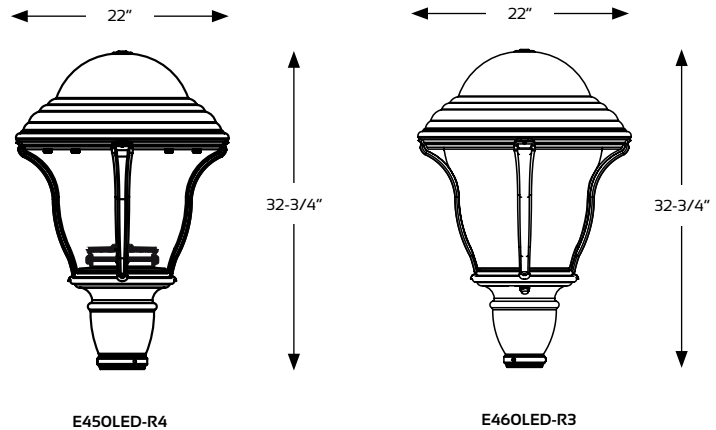
## Warranty

Seven-year limited warranty. See product and finish warranty guide for details.

## Finish

Refer to website for details.

## Fixtures



## Performance

LIGHT SOURCE	T2 DELIVERED LUMENS	EFFICACY (LPW)	T3 DELIVERED LUMENS	EFFICACY (LPW)	T4 DELIVERED LUMENS	EFFICACY (LPW)	T5 DELIVERED LUMENS	EFFICACY (LPW)	WATTAGE
28L27T_MDL14	7065	53.1	6860	6860	6825	51.3	7365	55.4	133
28L35T_MDL14	8440	63.5	8195	8195	8155	61.3	8800	66.2	133
28L45T_MDL14	9175	69.0	8910	8910	8865	66.7	9565	71.9	133
21L27T_MDL14	5480	51.2	5430	5430	5315	49.7	5885	55.0	107
21L35T_MDL14	6545	61.2	6485	6485	6366	59.4	7035	65.7	107
21L45T_MDL14	7115	66.5	7050	7050	6905	64.5	7645	71.4	107
21L27T_MDL10	4190	57.4	4070	4070	3960	54.2	4385	60.1	73
21L35T_MDL10	5005	68.6	4860	4860	4730	64.8	5240	71.8	73
21L45T_MDL10	5440	74.5	5285	5285	5140	70.4	5695	78.0	73
16L27T_MDL10	3340	60.7	3145	3145	3070	55.8	3445	62.6	55
16L35T_MDL10	3995	72.6	3760	3760	3670	66.7	4115	74.8	55
16L45T_MDL10	4340	78.9	4085	4085	3990	72.5	4475	81.4	55