



# E450LED / E460LED EURO SERIES

LED

EPA  
E450LED 1.66 (ft<sup>2</sup>)  
E460LED 2.2 (ft<sup>2</sup>)  
WEIGHT  
E450LED 52 LBS  
E460LED 52 LBS

7 YEAR WARRANTY

LUMEN RANGE  
3,285 - 10,780

LIFE SPAN  
L70  
UP TO 100,000 HOURS

UL LISTED

CLICK FOR FAQ'S

RATED IP65

JOB NAME \_\_\_\_\_

FIXTURE TYPE \_\_\_\_\_

MEMO \_\_\_\_\_

## BUILD A PART NUMBER

ORDERING EXAMPLE: **2A-E450LED-R3-16L45T5-MDL10-SV1-PEC-FHD/EUIPM/3312P5/SCC/BKT**

Mounting Config.	Fixture	Fitter	LED	CCT	Type	Driver	Lens	Option Photocontrol	Option Fuse	Option House Side Shield	Arm <small>See Arm Spec Sheets</small>	Pole <small>See Pole Spec Sheets</small>	Finish

### Mounting Configuration

[\(Click here to view mounting configuration sheet\)](#)

- IW      • 2A      • 3A90      • 1AM
- PT      • 2A90      • 3APT      • 2AM
- 1A      • 2APT      • 4A      • 55OPB
- 1APT      • 3A      • 4APT

W = Wall Mount PT = Post Top A = Arm Mount AM = Arm Mid-Mount PB = Pier Base

### Fixture

- E450LED    • E460LED

### Fitter

- R3            • R4

### LED

- 16L            • 21L            • 28L

### CCT - Color Temperature (K)

- 27(00)      • 35(00)      • 45(00)

### Type

- T2            • T3            • T4            • T5

### Driver

- MDL10<sup>1</sup> (120V-277V, 1000mA)
- MDL14<sup>2</sup> (120V-277V, 1400mA)
- MDH10<sup>1</sup> (347V-480V, 1000mA)
- MDH14<sup>2</sup> (347V-480V, 1400mA)

<sup>1</sup> For use with 16L and 21L only.  
<sup>2</sup> For use with 21L and 28L only.

### Lens

- CA<sup>3</sup> (Clear Acrylic)
- FA<sup>3</sup> (Frosted Acrylic)
- FL<sup>4</sup> (Flat Acrylic Lens)
- SG<sup>4</sup> (Sag Glass)
- FSG<sup>4</sup> (Frosted Sag Glass)
- SV1<sup>4</sup> (Flat Soft Vue Light Diffuse Acrylic)
- SV2<sup>4</sup> (Flat Soft Vue Moderate Diffuse Acrylic)

<sup>3</sup> For use with E460LED only.  
<sup>4</sup> For use with E450LED only.

### Options [\(Click here to view accessories sheet\)](#)

- PEC Electronic Photocontrol (120V-277V)
- PEC4 Electronic Photocontrol (480V)
- FHD<sup>5</sup> Dual Fuse and Holder
- HSS House Side Shield (external)

<sup>5</sup> Ships loose for installation in base.

### Arm [\(Click here to view arm website page\)](#)

- See Arms & Wall Brackets specification sheets.
- HM    • OL    • OM    • VC    • VF    • VL

### Pole [\(Click here to view pole website page\)](#)

See Pole specification sheets.

### Finish [\(Click here to view paint finish sheet\)](#)

#### Standard Finishes<sup>6</sup>

- BKT Black Textured
- WHT White Textured
- PGT Park Green Textured
- ABZT Architectural Medium Bronze Textured
- DBT Dark Bronze Textured

<sup>6</sup> Smooth finishes are available upon request.

#### Custom Finishes<sup>7</sup>

- CM Custom Match
- OI Old Iron
- RT Rust
- WBR Weathered Brown
- CD Cedar
- WBK Weathered Black
- TT Two Tone

<sup>7</sup> Custom colors require upcharge.

#### Sternberg Select Finishes

- VG Verde Green
- SI Swedish Iron
- OWGT Old World Gray Textured

## Specifications

### Fixture

This large scale contemporary fixture includes a cast aluminum roof, fitter and (4) sweeping support legs. The unit is provided with an acrylic tapered cylindrical molded lens matching the profile of the support legs (E460LED), or a flat acrylic lens allowing for an open body

(E450LED). The top mounted ballast mounting plate shall be cast aluminum and provide tool-less removal from the housing. The Luminaire shall be UL listed in US and Canada.

### Fitter

Standard cast aluminum fitter (R3) slips a 3" OD x 3" tall tenon or pole. Optional cast aluminum fitter (R4) slips a 4" OD x 3" tall tenon or pole.

### LED's

The luminaire shall use high output, high brightness LED's. They shall be mounted in arrays, on printed circuit boards designed to maximize heat transfer to the heat sink surface. The arrays shall be roof mounted to minimize up-light. The LED's and printed circuit boards shall be 100% recyclable; they shall also be protected from moisture and corrosion by a conformal coating of 1 to 3 mils. They shall not contain lead, mercury or any other hazardous substances and shall be RoHS compliant. The LED life rating data shall be determined in accordance with IESNA LM-80. The High Performance white LED's will have a life expectancy of approximately 100,000 hours with not less than 70% of original brightness (lumen maintenance), rated at 25°C. The High Brightness, High Output LED's shall be 4500K (3500K or 2700K option) color temperature with a minimum CRI of 70. Consult factory for custom color CCT. The luminaire shall have a minimum \_\_\_\_\_ (see table) delivered initial lumen rating when operated at steady state with an average ambient temperature of 25°C (77°F).

### Optics

The luminaire shall be provided with individual, refractor type optics applied to each LED. The luminaire shall provide Type \_\_\_\_ (2, 3, 4 or 5) light distribution per the IESNA classifications. Testing shall be done in accordance with IESNA LM-79.

See next page

# E450LED / E460LED EURO SERIES

LED

## Electronic Driver

The LED driver shall be U.L. Recognized. It shall be securely mounted inside the fixture, for optimized performance and longevity. It shall be supplied with a quick-disconnect electrical connector on the power supply, providing easy power connections and fixture installation. It shall have overload as well as short circuit protection, and have a DC voltage output, constant current design, 50/60HZ. It shall be supplied with line-ground, line-neutral and neutral-ground electrical surge protection in accordance with IEEE/ANSI C62.41.2 guide-

lines. It shall be dimmable using a 0-10v signal. The driver shall have a minimum efficiency of 90%. The driver shall be rated at full load with THD<20% and a power factor of greater than 0.90. The driver shall contain over-heat protection.

## Photocontrols

**Button Style:** On a single assembly the photocontrol shall be mounted on the fixture and pre-wired to driver. On multiple head assembly's the photocontrol shall be mounted in the pole shaft on an access plate. The electronic

button type photocontrol is instant on with a 5-10 second turn off, and shall turn on at 1.5 footcandles with a turn-off at 2-3 footcandles. Photocontrol is 120-277 volt and warranted for 6 years.

## Warranty

Seven-year limited warranty. See product and finish warranty guide for details.

## Finish

Refer to website for details.

## Performance - E450

MODEL #	T2 LUMENS	BUG	EFFICACY (LPW)	T3 LUMENS	BUG	EFFICACY (LPW)	T4 LUMENS	BUG	EFFICACY (LPW)	T5 LUMENS	BUG	EFFICACY (LPW)	WATTS
28L45T_-MDL14	9050	B3U0G3	68.0	8815	B2U0G2	66.3	8840	B2U0G2	66.5	9530	B4U0G2	71.7	133
28L35T_-MDL14	8500	B3U0G3	63.9	8280	B2U0G2	62.3	8300	B2U0G2	62.4	8950	B3U0G2	67.3	133
28L27T_-MDL14	7460	B3U0G3	56.1	7265	B2U0G2	54.6	7285	B2U0G2	54.8	7855	B3U0G2	59.1	133
21L45T_-MDL14	7005	B3U0G3	65.5	6980	B2U0G2	65.2	6890	B2U0G2	64.4	7620	B3U0G2	71.2	107
21L35T_-MDL14	6580	B3U0G3	61.5	6555	B2U0G2	61.3	6470	B2U0G2	60.5	7155	B3U0G2	66.9	107
21L27T_-MDL14	5775	B2U0G2	54.0	5755	B2U0G2	53.8	5680	B2U0G2	53.1	6280	B3U0G1	58.7	107
21L45T_-MDL10	5365	B2U0G2	73.5	5230	B2U0G2	71.6	5130	B1U0G1	70.3	5675	B3U0G1	77.7	73
21L35T_-MDL10	5040	B2U0G2	69.0	4910	B1U0G1	67.3	4820	B1U0G1	66.0	5330	B3U0G1	73.0	73
21L27T_-MDL10	4425	B2U0G2	60.6	4310	B1U0G1	59.0	4230	B1U0G1	57.9	4680	B3U0G1	64.1	73
16L45T_-MDL10	4275	B2U0G2	77.7	4045	B1U0G1	73.5	3985	B1U0G1	72.5	4455	B3U0G1	81.0	55
16L35T_-MDL10	4015	B2U0G2	73.0	3800	B1U0G1	69.1	3745	B1U0G1	68.1	4185	B2U0G1	76.1	55
16L27T_-MDL10	3525	B1U0G1	64.1	3335	B1U0G1	60.6	3285	B1U0G1	59.7	3670	B2U0G1	66.7	55

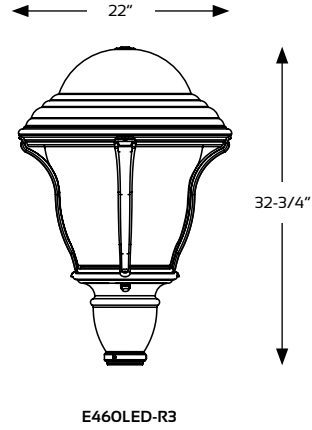
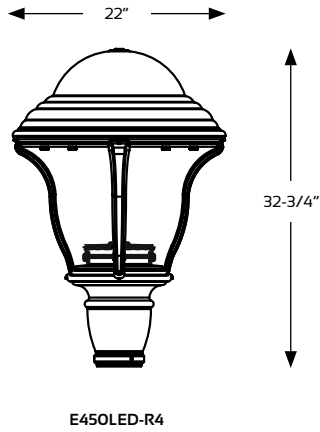
## Performance - E460

MODEL #	T2 LUMENS	BUG	EFFICACY (LPW)	T3 LUMENS	BUG	EFFICACY (LPW)	T4 LUMENS	BUG	EFFICACY (LPW)	T5 LUMENS	BUG	EFFICACY (LPW)	WATTS
28L45T_-MDL14	9910	B3U2G3	74.5	9925	B3U2G3	74.6	9870	B2U0G2	74.2	10780	B4U3G4	81.1	133
28L35T_-MDL14	9305	B3U2G3	70.0	9320	B3U2G3	70.1	9270	B2U0G2	69.7	10125	B4U3G4	76.1	133
28L27T_-MDL14	8170	B3U2G3	61.4	8180	B3U2G3	61.5	8135	B2U0G2	61.2	8885	B4U3G4	66.8	133
21L45T_-MDL14	7575	B3U2G3	70.8	7805	B2U2G3	72.9	7475	B2U0G2	69.9	8640	B4U3G2	80.7	107
21L35T_-MDL14	7115	B3U2G3	66.5	7330	B2U2G3	68.5	7020	B2U0G2	65.6	8115	B4U3G2	75.8	107
21L27T_-MDL14	6245	B3U2G3	58.4	6435	B2U2G3	60.1	6160	B2U0G2	57.6	7120	B4U3G2	66.5	107
21L45T_-MDL10	5950	B2U2G2	81.5	5875	B2U2G3	80.5	5750	B1U0G1	78.8	6320	B3U2G2	86.6	73
21L35T_-MDL10	5590	B2U2G2	76.6	5520	B2U2G3	75.6	5400	B1U0G1	74.0	5935	B3U2G2	81.3	73
21L27T_-MDL10	4905	B2U2G2	67.2	4845	B2U2G3	66.4	4740	B1U0G1	64.9	5210	B3U2G2	71.4	73
16L45T_-MDL10	4675	B2U2G2	85.0	4530	B2U2G2	82.4	4445	B1U0G1	80.8	4955	B3U2G1	90.1	55
16L35T_-MDL10	4390	B2U2G2	79.8	4255	B2U2G2	77.4	4175	B1U0G1	75.9	4655	B3U2G1	84.6	55
16L27T_-MDL10	3855	B2U2G2	70.1	3735	B2U2G2	67.9	3665	B1U0G1	66.6	4085	B3U2G1	74.3	55

# E450LED / E460LED EURO SERIES

LED

## Fixtures



**SternbergLighting**

ESTABLISHED 1923 / EMPLOYEE OWNED

800-621-3376  
555 Lawrence Ave., Roselle, IL 60172  
info@sternberglighting.com  
www.sternberglighting.com

7/20 STERNBERG LIGHTING. ALL RIGHTS RESERVED. PRINTED IN THE USA.