



# E450 / E460 EURO SERIES

**HID**

**EPA**  
E450 1.66 (ft²)  
E460 2.2 (ft²)

**WEIGHT**  
E450 45.5 LBS  
E460 44.5 LBS



**JOB NAME** \_\_\_\_\_

**FIXTURE TYPE** \_\_\_\_\_

**MEMO** \_\_\_\_\_

## BUILD A PART NUMBER

**ORDERING EXAMPLE: 2A-E450-R3-100MHP120-MED-RO3-FG-PEC/OMPT/3318P5/BKT**

Mounting Config.	Fixture	Fitter	Ballast	Volts	Socket	Optic	Lens	Option Photo-control	Option Fuse	Option House Side Shield	Option Chimney	Lamps <small>See Lamp Spec Sheet</small>	Arm <small>See Arm Spec Sheets</small>	Pole <small>See Pole Spec Sheets</small>	Finish

### Mounting Configuration

[\(Click here to link to mounting configuration specification page\)](#)

- IW      • 2A      • 3A90      • 1AM
- PT      • 2A90      • 3APT      • 2AM
- 1A      • 2APT      • 4A      • 550PB
- 1APT    • 3A      • 4APT

W = Wall Mount    PT = Post Top    A = Arm Mount    AM = Arm Mid-Mount    PB = Pier Base

### Fixture

- E450      • E460

### Fitter

- R3      • R4

### Ballast<sup>1,2</sup>

- 35HPS<sup>3</sup>    • 250HPS    • 200MHP    • INCAND
- 50HPS      • 50MHP      • 250MHP    (150w max)
- 70HPS      • 70MHP      • 26CFL
- 100HPS     • 100MHP    • 32CFL
- 150HPS     • 150MHP    • 42CFL

<sup>1</sup> Medium base sockets are standard. Mogul base sockets standard with ballasts 200 watt and over. 4-pin for CFL.

<sup>2</sup> Metal halide systems are pulse start.

<sup>3</sup> 35HPS is 120 volt only.

### Volts

- 120    • 208    • 240    • 277    • 347    • 480

### Socket

- MED      • MOG      • 4P (4-Pin)

### Optic

- NONE      • LO3<sup>4</sup>      • RO2      • RO4
- RE3<sup>4</sup>      • LO5<sup>4</sup>      • RO3      • RO5
- RE5<sup>4</sup>

<sup>4</sup> E460 only.

### Lens

- FG<sup>5</sup> (Flat Glass)
- SG<sup>5</sup> (Sag Glass)
- FFG<sup>5</sup> (Frosted Flat Glass)
- FSG<sup>5</sup> (Frosted Sag Glass)
- CA<sup>6</sup> (Clear Acrylic)
- FA<sup>6</sup> (Frosted Acrylic)

<sup>5</sup> For use with E450 only.

<sup>6</sup> For use with E460 only.

### Options [\(Click here to view accessories sheet\)](#)

- PEC Electronic Button Photocontrol (120v-277v)
- PEC4 Electronic Button Photocontrol (480v)
- FHS<sup>7</sup> Single Fuse and Holder (120v, 277v & 347v)
- FHD<sup>7</sup> Double Fuse and Holder (208v, 240v & 480v)
- HSS 120° House Side Shield
- FMC<sup>8</sup> Frosted Mission Chimney
- LAMPS See Lamp Specification Sheet

<sup>7</sup> Ships loose for installation in base.

<sup>8</sup> For use with E460 only.

### Arm [\(Click here to link to arm specification page\)](#)

See Arms & Wall Brackets specification sheets.

- HM    • OL    • OM    • VC    • VF    • VF

### Pole [\(Click here to link to pole specification page\)](#)

See Pole specification sheets.

### Finish [\(Click here to view paint finish sheet\)](#)

#### Standard Finishes<sup>9</sup>

- BKT Black Textured
- WHT White Textured
- PGT Park Green Textured
- ABZT Architectural Medium Bronze Textured
- DBT Dark Bronze Textured

<sup>9</sup> Smooth finishes are available upon request.

#### Custom Finishes<sup>10</sup>

- CM Custom Match
  - OI Old Iron
  - RT Rust
  - WBR Weathered Brown
  - CD Cedar
  - WBK Weathered Black
  - TT Two Tone
- <sup>10</sup> Custom colors require upcharge.
- #### Sternberg Select Finishes
- VG Verde Green
  - SI Swedish Iron
  - OWGT Old World Gray Textured

## Specifications

### Fixture

This large scale contemporary fixture includes a cast aluminum roof, fitter and (4) sweeping support legs. The unit is provided with an acrylic tapered cylindrical molded lens matching

the profile of the support legs (E460), or a flat acrylic lens allowing for an open body (E450). The top mounted ballast mounting plate shall be cast aluminum and provide tool-less removal from the housing. The Luminaire shall be UL listed in US and Canada.

### Fitter

Cast aluminum fitter slips a 3" OD x 3" tall tenon or pole. Optional cast aluminum fitter (R4) slips a 4" OD x 3" tall tenon or pole

### Electrical

HID ballasts shall be high power factor with lamp starting down to -30 degrees C. Medium base and mogul base porcelain sockets are 4KV rated. The ballast/socket assembly shall be pre-wired when ballast is located in the fitter. Ballasts shall be DOE EISA compliant.

### Optical Options

**Refractors** shall be borosilicate glass with an IES type 3 or 5 distribution, using a vertically mounted lamp. It shall be secured to the socket/stem with 3/8" plated steel threaded pipe nipple and rest on a cast aluminum holder with anti-shock gasket. The refractor will be secured to cast holder with a quarter-turn internal aluminum twist ring for ease of maintenance.

**NIGHTSKY® OPTI-SHIELD® Louver Optic System** shall be a multi-tier reflector with 7" diameter rings to produce an IES cut-off type 3 or 5 distribution. The Louver optic System shall be made of highly specular anodized aluminum and shall come standard with medium base socket.

**House Side Shield** shall be an additional optic used to block 120° of light in any one direction.

**Frosted Mission Chimney** shall be a frosted glass element which adds an authentic touch. It can be used to house a lamp with a medium base socket, or as an additional aesthetic feature used in conjunction with a roof optic system.

*See back page*

**NIGHTSKY® STAR-SHIELD® Sealed Roof Optics** shall be a roof mounted, an IP66 rated reflector systems which eliminate up light and provide cut-off distribution. The reflector cavity shall be made of a sealed, one piece hydro formed reflector with semi specular finish. Distribution types 2, 3, 4 and 5 are available with a horizontally mounted lamp.

### Photocontrols

**Button Style:** On single post top fixtures the photocontrol shall be mounted in the fitter and pre-wired to ballast. On multiple head fixture assembly's photocontrol shall be mounted in the pole shaft on an access plate and are not pre-wired as ballast housing assemblies and fitters are packaged separately for ease of wiring to source. The electronic button type photocontrol is instant on with a 5-10 second turn off, and shall turn on at 1.5 footcandles with a turn-off at 2-3 footcandles. Photocontrol is 120-277 volt and warranted for 6 years.

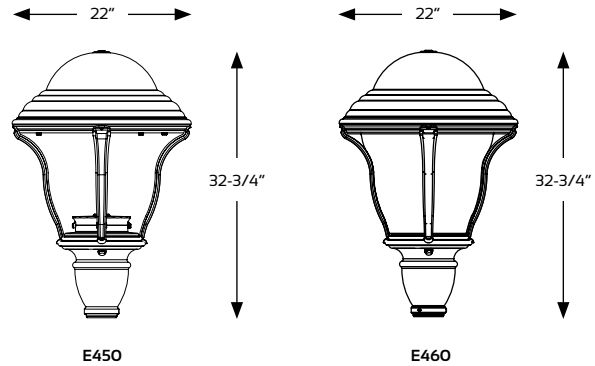
### Warranty

Five-year limited warranty. See product and finish warranty guide for details.

### Finish

Refer to website for details.

## Fixtures



## Optical Systems

