



E350 / E360 EURO SERIES

HID

EPA
E350 0.87 (ft²)
E360 1.00 (ft²)
WEIGHT
E350 38 LBS
E360 38.1 LBS



JOB NAME _____

FIXTURE TYPE _____

MEMO _____

BUILD A PART NUMBER

ORDERING EXAMPLE: 2A-E350-100MHP120-MED-R03-FG-PEC/EU2PM/3312P5/SCC/BKT

Mounting Config.	Fixture	Ballast	Volts	Socket	Optic	Lens	Option Photo-control	Option Fuse	Option House Side Shield	Option Chimney	Lamps <small>See Lamp Spec Sheet</small>	Arm <small>See Arm Spec Sheets</small>	Pole <small>See Pole Spec Sheets</small>	Finish

Mounting Configuration

[\(Click here to link to mounting configuration specification page\)](#)

- IW • 2A • 3A90 • 1AM
- PT • 2A90 • 3APT • 2AM
- 1A • 2APT • 4A • 450PB
- 1APT • 3A • 4APT

W = Wall Mount PT = Post Top A = Arm Mount AM = Arm Mid-Mount PB = Pier Base

Fixture

- E350 • E360

Ballast^{1, 2}

- 35HPS³ • 50MHP • 32CFL
- 50HPS • 70MHP • 42CFL
- 70HPS • 100MHP • INCAND (150x MAX)
- 100HPS • 150MHP
- 150HPS • 26CFL

¹ Medium base sockets are standard with ballasts up to 150 watt. 4-pin for CFL.

² Metal halide systems are pulse start.

³ 35HPS is 120 volt only.

Volts

- 120 • 208 • 240 • 277 • 347 • 480

Socket

- MED • 4P (4-Pin)

Optic

- NONE • LO3⁴ • RO3
- RE3⁴ • LO5⁴ • RO4
- RE5⁴ • RO2 • RO5

⁴ E360 only.

Lens

- FG⁵ (Flat Glass)
- SG⁵ (Sag Glass)
- FFG⁵ (Frosted Flat Glass)
- FSG⁵ (Frosted Sag Glass)
- CA⁶ (Clear Acrylic)
- FA⁶ (Frosted Acrylic)

⁵ For use with E350 only.

⁶ For use with E360 only.

Options [\(Click here to view accessories sheet\)](#)

- PEC Electronic Button Photocontrol (120v-277v)
- PEC4 Electronic Button Photocontrol (480v)
- FHS⁷ Single Fuse and Holder (120v & 277v)

- FHD⁷ Double Fuse and Holder (208v, 240v & 480v)
- HSS 120° House Side Shield
- FMC⁸ Frosted Mission Chimney
- LAMPS See Lamp Spec Sheet

⁷ Ships loose for installation in base.

⁸ For use with E360 only.

Arm [\(Click here to link to arm specification page\)](#)

See Arms & Wall Brackets specification sheets.

- EUI • HMS • OLS • OMS • VCS • VFS • VFS

Pole [\(Click here to link to pole specification page\)](#)

See Pole specification sheets.

Finish [\(Click here to view paint finish sheet\)](#)

Standard Finishes⁹

- BKT Black Textured
- WHT White Textured
- PGT Park Green Textured
- ABZT Architectural Medium Bronze Textured
- DBT Dark Bronze Textured

⁹ Smooth finishes are available upon request.

Custom Finishes¹⁰

- CM Custom Match
 - OI Old Iron
 - RT Rust
 - WBR Weathered Brown
 - CD Cedar
 - WBK Weathered Black
 - TT Two Tone
- ¹⁰ Custom colors require upcharge.
- #### Sternberg Select Finishes
- VG Verde Green
 - SI Swedish Iron
 - OWGT Old World Gray Textured

Specifications

Fixture

This medium scale contemporary fixture includes a permanent mold aluminum roof, fitter and (4) sweeping support legs. The unit is provided with an acrylic tapered cylindrical molded lens matching the profile of the support legs (E360), or a flat acrylic lens allowing for an open body (E350). The top mounted

ballast mounting plate shall be cast aluminum and provide tool-less removal from the housing. The Luminaire shall be UL listed in US and Canada.

Fitter

Cast aluminum fitter slips a 3" OD x 3" tall tenon or pole.

Electrical

HID ballasts shall be high power factor with lamp starting down to -30 degrees C. Medium base and mogul base porcelain sockets are 4KV rated. The ballast/socket assembly shall be pre-wired when ballast is located in the fitter. Ballasts shall be DOE EISA compliant.

Optical Options

Refractors shall be borosilicate glass with an IES type 3 or 5 distribution, using a vertically mounted lamp. It shall be secured to the socket/stem with 3/8" plated steel threaded pipe nipple and rest on a cast aluminum holder with anti-shock gasket. The refractor will be secured to cast holder with a quarter-turn internal aluminum twist ring for ease of maintenance.

NIGHTSKY® OPTI-SHIELD® Louver Optic System shall be a multi-tier reflector with 7" diameter rings to produce an IES cut-off type 3 or 5 distribution. The Louver optic System shall be made of highly specular anodized aluminum and shall come standard with medium base socket.

House Side Shield shall be an additional optic used to block 120° of light in any one direction.

Frosted Hurricane Chimney shall be a frosted glass element which adds an authentic touch. It can be used to house a lamp with a medium base socket, or as an additional aesthetic feature used in conjunction with a roof optic system.

NIGHTSKY® STAR-SHIELD® Sealed Roof Optics shall be a roof mounted, an IP66 rated reflector systems which eliminate up light and provide cut-off distribution. The reflector cavity shall be made of a sealed, one piece hydro formed reflector with semi specular finish.

See next page

Distribution types 2, 3, 4 and 5 are available with a horizontally mounted lamp.

Photocontrols

Button Style: The photocontrol shall be mounted in the pole shaft on an access plate. The electronic button type photocontrol is instant on with a 5-10 second turn off, and shall turn on at 1.5 footcandles with a turn-off at 2-3 footcandles. Photocontrol is 120-277 volt and warranted for 6 years.

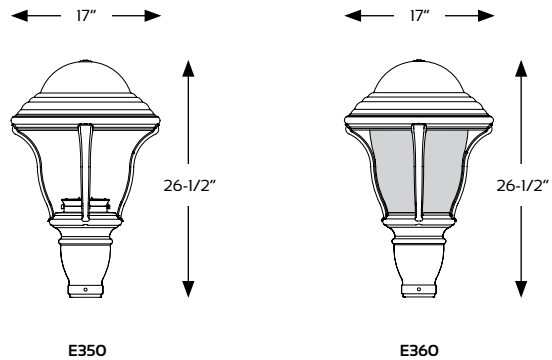
Warranty

Five-year limited warranty. See product and finish warranty guide for details.

Finish

Refer to website for details.

Fixtures



Optical Systems

