



E350LED / E360LED EURO SERIES

LED

EPA
1.0 (ft²)
WEIGHT
42.1 LBS

7 YEAR
WARRANTY

LUMEN
RANGE
1,920 to
5,545

LIFE
SPAN
L70
UP TO
100,000
HOURS

UL
LISTED

CLICK
FOR FAQ'S

RATED
IP65

JOB NAME _____

FIXTURE TYPE _____

MEMO _____

BUILD A PART NUMBER

ORDERING EXAMPLE: **2A-E350LED-SF-12L45T5-MDH07-SV1-FHD/EUIPM/3312P5/BCC/BKT**

Mounting Config.	Fixture	Fitter	LED	CCT	Type	Driver	Lens	Option Control Receptacle	Option Control	Option Photocontrol	Option Fuse	Option Term. Block	Option House Side Shield	Arm See Arm Spec Sheets	Pole See Pole Spec Sheets	Finish

Mounting Configuration

(Click here to view mounting configuration sheet)

- IW • 2A • 3A90 • 1AM
- PT • 2A90 • 3APT • 2AM
- 1A • 2APT • 4A • 450PB
- 1APT • 3A • 4APT

W = Wall Mount PT = Post Top APT = Post Top Arm Mid-Mount
A = Arm Mount AM = Arm Mid-Mount PB = Pier Base

Fixture

- E350LED • E360LED

Fitter

- SF (Standard Fitter) • UF (Utility Fitter)

LED

- 16L • 12L

CCT - Color Temperature (K)

- 27(00) • 35(00) • 45(00)

Type

- T2 • T3 • T4 • T5

Driver

- MDL07¹ (120V-277V, 700mA)
- MDH07¹ (347V-480V, 700mA)
- MDL10 (120V-277V, 1000mA)
- MDH10 (347V-480V, 1000mA)
- MDL14² (120V-277V, 1400mA)
- MDH14² (347V-480V, 1400mA)

¹ For use with 12L system only.

² For use with 16L system only.

Lens

- CA³ (Clear Acrylic)
- FA³ (Frosted Acrylic)
- FL⁴ (Flat Acrylic Lens)
- SG⁴ (Sag Glass)
- FSG⁴ (Frosted Sag Glass)
- SVI⁴ (Flat Soft Vue Medium Diffused Acrylic)
- SV2⁴ (Flat Soft Vue Heavy Diffused Acrylic)

³ For use with E360LED only.

⁴ For use with E350LED only.

Options (Click here to view accessories sheet)

- R7⁵ 7-Pin control receptacle only
- PE⁶ Twist-Lock Photocontrol (120V-277V)
- PE4⁶ Twist-Lock Photocontrol (347V-480V)
- SC⁶ Shorting Cap
- PEC⁷ Electronic Button Photocontrol (120V-277V)
- PEC4⁷ Electronic Button Photocontrol (480V)
- FHD⁸ Double Fuse and Holder
- TB⁵ Terminal Block
- HSS 120° House Side Shield

⁵ For use with "UF" utility fitter only.

⁶ Requires control receptacle.

⁷ For use with "UF" utility fitter, or remote mount on pole.

⁸ Ships loose for installation in base.

Arm (Click here to view arm website page)

See Arms & Wall Brackets specification sheets.
• EU1 • HMS • OLS • OMS • VCS • VFS • VLS

Pole (Click here to view pole website page)

See Pole specification sheets.

Finish (Click here to view paint finish sheet)

Standard Finishes⁹

- BKT Black Textured
- WHT White Textured
- PGT Park Green Textured
- ABZT Architectural Medium Bronze Textured
- DBT Dark Bronze Textured

⁹ Smooth finishes are available upon request.

Custom Finishes¹⁰

- CM Custom Match
- OI Old Iron
- RT Rust
- WBR Weathered Brown
- CD Cedar
- WBK Weathered Black
- TT Two Tone

¹⁰ Custom colors require upcharge.

Sternberg Select Finishes

- VG Verde Green
- SI Swedish Iron
- OWGT Old World Gray Textured

Specifications

Fixture

This medium scale contemporary fixture includes a permanent mold aluminum roof, fitter and (4) sweeping support legs. The unit is provided with an acrylic tapered cylindrical molded lens matching the profile of the support legs (E360LED), or a flat acrylic lens allowing for an open body (E350LED). The top mounted ballast mounting plate shall be cast aluminum and provide tool-less removal from the housing. The Luminaire shall be UL listed in US and Canada.

Fitter - Standard

Cast aluminum fitter slips a 3" OD x 3" tall tenon or pole.

Fitter - Utility

The utility fitter shall be heavy wall cast aluminum for high tensile strength. It shall slip a 3" OD x 3" tall tenon or pole. It shall have an entry door that provides open access to all of the components, secured with stainless steel hardware. The fitter shall have an optional terminal block for ease of wiring and an optional Twist-Lock Photocontrol receptacle or button photocell.

LED's

The luminaire shall use high output, high brightness LED's. They shall be mounted in arrays, on printed circuit boards designed to maximize heat transfer to the heat sink surface. The arrays shall be downward facing to minimize up-light. The LED's and printed circuit boards shall be 100% recyclable; they shall also be protected from moisture and corrosion by a conformal coating of 1 to 3 mils. They shall not contain lead, mercury or any other hazardous substances and shall be RoHS compliant. The LED life rating data shall be determined in accordance with IESNA LM-80. The High Performance white LED's will have a life expectancy of approximately 50,000 hours with not less than 70% of original brightness

See next page

E350LED / E360LED EURO SERIES



(lumen maintenance), rated at 25°C. The High Brightness, High Output LED's shall be 4500K (3500K or 2700K option) color temperature with a minimum CRI of 70. Consult factory for custom color CCT. The luminaire shall have a minimum _____ (see table) delivered initial lumen rating when operated at steady state with an average ambient temperature of 25°C (77°F).

Optics

The luminaire shall be provided with individual, refractor type optics applied to each LED. The luminaire shall provide Type ____ (2, 3, 4 or 5) light distribution per the IESNA classifications. Testing shall be done in accordance with IESNA LM-79.

Electronic Driver

The LED driver shall be U.L. Recognized. It shall be securely mounted inside the fixture, for optimized performance and longevity. It shall

be supplied with a quick-disconnect electrical connector on the power supply, providing easy power connections and fixture installation. It shall have overload as well as short circuit protection, and have a DC voltage output, constant current design, 50/60HZ. It shall be supplied with line-ground, line-neutral and neutral-ground electrical surge protection in accordance with IEEE/ANSI C62.41.2 guidelines. It shall be dimmable using a 0-10v signal.

For sources over 50w: The driver shall have a minimum efficiency of 90%. The driver shall be rated at full load with THD<20% and a power factor of greater than 0.90. The driver shall contain over-heat protection.

For sources under 50w: The driver shall have a minimum efficiency of 88%.

Photocontrols

Button Style: The photocontrol shall be mounted on the utility fitter or in the pole shaft

on an access plate. The electronic button type photocontrol is instant on with a 5-10 second turn off, and shall turn on at 1.5 footcandles with a turn-off at 2-3 footcandles. Photocontrol is 120-277 volt and warranted for 6 years.

Twist-Lock Style: The photocontrol shall be mounted in the utility fitter and pre-wired to driver. The twist lock type photocontrol is instant on with a 3-6 second turn off, and shall turn on at 1.5 footcandles with a turn-off at 2-3 footcandles. Photocontrol is 120-277 volt and warranted for 6 years.

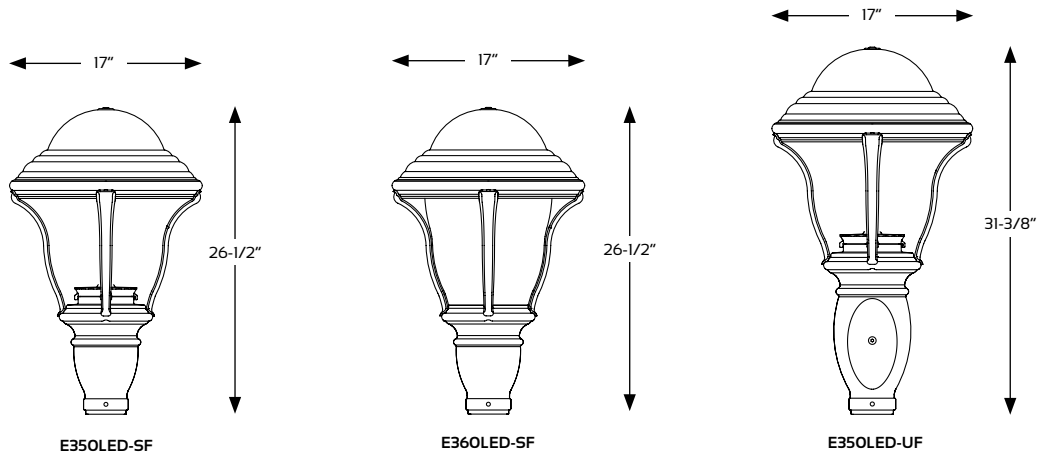
Warranty

Seven-year limited warranty. See product and finish warranty guide for details.

Finish

Refer to website for details.

Fixtures



Performance - E350LED (based on FL lens)

MODEL #	T2 LUMENS	BUG	EFFICACY (LPW)	T3 LUMENS	BUG	EFFICACY (LPW)	T4 LUMENS	BUG	EFFICACY (LPW)	T5 LUMENS	BUG	EFFICACY (LPW)	WATTS
16L45T_-MDL14	5465	B2U0G2	67.5	5105	B2U0G2	63.0	4795	B1U0G2	59.2	5545	B3U0G1	68.5	81
16L35T_-MDL14	5135	B2U0G2	63.4	4795	B1U0G2	59.2	4505	B1U0G2	55.6	5210	B3U0G1	64.3	81
16L27T_-MDL14	4505	B2U0G2	55.6	4210	B1U0G1	52.0	3955	B1U0G1	48.8	4570	B3U0G1	56.4	81
16L45T_-MDL10	4110	B2U0G2	73.4	3870	B1U0G1	69.1	3805	B1U0G1	67.9	4255	B3U0G1	76.0	56
16L35T_-MDL10	3860	B2U0G2	68.9	3635	B1U0G1	64.9	3575	B1U0G1	63.8	3995	B3U0G1	71.3	56
16L27T_-MDL10	3390	B1U0G1	60.5	3190	B1U0G1	57.0	3135	B1U0G1	56.0	3510	B3U0G1	62.7	56
12L45T_-MDL10	3100	B1U0G1	72.1	2955	B1U0G1	68.7	2885	B1U0G1	67.1	3175	B2U0G1	73.8	43
12L35T_-MDL10	2910	B1U0G1	67.7	2775	B1U0G1	64.5	2710	B1U0G1	63.0	2980	B2U0G1	69.3	43
12L27T_-MDL10	2555	B1U0G1	59.4	2435	B1U0G1	56.6	2380	B1U0G1	55.3	2615	B2U0G1	60.8	43
12L45T_-MDL07	2235	B1U0G1	79.8	2110	B1U0G1	75.4	2075	B1U0G1	74.1	2290	B2U0G1	81.8	28
12L35T_-MDL07	2100	B1U0G1	75.0	1980	B1U0G1	70.7	1950	B1U0G1	69.6	2150	B2U0G1	76.8	28
12L27T_-MDL07	1840	B1U0G1	65.7	1740	B1U0G1	62.1	1710	B1U0G1	61.1	1890	B2U0G1	67.5	28

Performance - E360LED (based on CA lens)

MODEL #	T2 LUMENS	BUG	EFFICACY (LPW)	T3 LUMENS	BUG	EFFICACY (LPW)	T4 LUMENS	BUG	EFFICACY (LPW)	T5 LUMENS	BUG	EFFICACY (LPW)	WATTS
16L45T_-MDL14	5845	B2U3G2	72.2	5635	B2U3G3	69.6	5520	B2U3G2	68.1	6205	B3U3G2	76.6	81
16L35T_-MDL14	5490	B2U3G2	67.8	5290	B2U3G3	65.3	5185	B2U3G2	64.0	5830	B3U3G2	72.0	81
16L27T_-MDL14	4820	B2U3G2	59.5	4645	B2U3G3	57.3	4550	B2U3G2	56.2	5115	B3U3G2	63.1	81
16L45T_-MDL10	4355	B2U3G2	77.8	4330	B1U3G2	77.3	4205	B1U3G2	75.1	4790	B3U3G2	85.5	56
16L35T_-MDL10	4090	B2U2G2	73.0	4065	B1U3G2	72.6	3950	B1U3G2	70.5	4500	B3U3G2	80.4	56
16L27T_-MDL10	3590	B2U2G2	64.1	3570	B1U2G2	63.8	3465	B1U2G2	61.9	3950	B3U3G2	70.5	56
12L45T_-MDL10	3330	B2U2G2	77.4	3250	B1U2G2	75.6	3215	B1U2G2	74.8	3485	B3U3G1	81.0	43
12L35T_-MDL10	3130	B2U2G2	72.8	3050	B1U2G2	70.9	3020	B1U2G2	70.2	3275	B3U3G1	76.2	43
12L27T_-MDL10	2745	B2U2G2	63.8	2680	B1U2G2	62.3	2650	B1U2G2	61.6	2875	B2U2G1	66.9	43
12L45T_-MDL07	2405	B1U2G1	85.9	2345	B1U2G2	83.8	2310	B1U2G1	82.5	2505	B2U2G1	89.5	28
12L35T_-MDL07	2260	B1U2G1	80.7	2200	B1U2G2	78.6	2170	B1U2G1	77.5	2355	B2U2G1	84.1	28
12L27T_-MDL07	1985	B1U2G1	70.9	1935	B1U2G2	69.1	1905	B1U2G1	68.0	2065	B2U2G1	73.8	28