

**E250 / E260 / E270 - 340B EURO LIGHTED BOLLARD**

**SPECIFICATIONS**

**GENERAL**

The models E250/E260/E270-340B decorative EURO lighted bollards are small scale, contemporary designs. They feature a multi-tube cylindrical body, decorative aluminum cage, dome roof on a simple tube shaft assembly. The models shall be Sternberg Lighting #E250-340B / #E260-340B / or #E270-340B.

**CONSTRUCTION**

The bollard base shaft shall consist of a 3" diameter ASTM 6063-T6 aluminum extruded tube having a wall thickness of 1/8". It is surrounded by three 1" diameter extruded aluminum tubing having a wall thickness of 1/8" spaced at 120° and supported by two cast aluminum braces. The anchor foot base shall be 8" diameter and made of heavy wall 356 cast aluminum having a wall thickness of 3/4" and welded to center shaft tube. The maximum overall height shall be 50".

The bollard optic housing shall be die-cast aluminum alloy for high tensile strength. Overall diameter shall be 13". The housing shall be an integral part of the base shaft to prevent water and dust entry into the enclosure and to ensure high capacity heat sinking of the ballast, keeping the ballast cooler to ensure long life. When specified with optic diffuser, it shall be made from vandal resistant clear (CA) or frosted acrylic (FA).

**E270-340B OPTICS**

**Indirect Roof Optics** (IO3) or (IO5) distribution shall be delivered by a reflector system in combination with an aluminum lamp reflector which provides cut-off. The reflector cavities shall be made of specular anodized aluminum. Type 3 (IO3) and Type 5 (IO5) are available for T6 base lamps only.

E250-340B shall be equipped with high output, high brightness LED's. (See separate EURO LED lighted Bollard specifications for details).

**ELECTRICAL**

Fixture shall be U.L. or E.T.L. listed in U.S. and Canada. H.I.D. ballasts shall be electronic high power factor with lamp starting down to -30 degrees C. Medium base porcelain or T6 Bi-pin sockets are 4KV rated. The ballast/socket assembly shall be pre-wired when ballast is located in the fixture. All compact fluorescent (PL) ballasts shall be instant start electronic with a starting temperature of down to 0 degrees F. They shall have a 4-pin socket to accept quad or triple tube lamps. Ballasts shall be DOE EISA compliant.

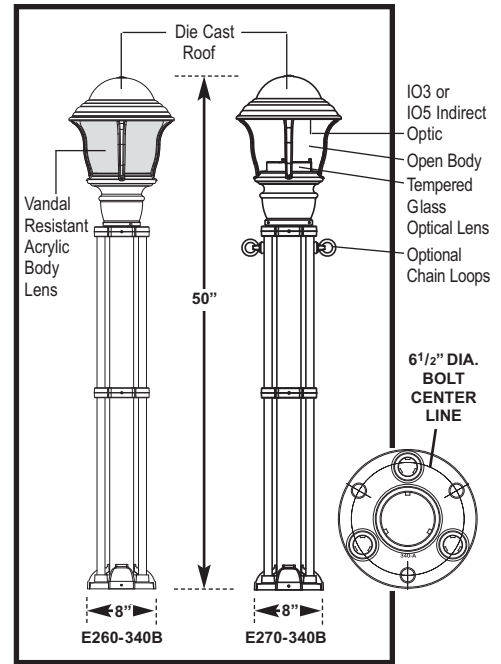
**FINISH**

Prior to coating, each assembly is chemically cleaned and etched in a 5-stage washing system which includes alkaline cleaning, rinsing, phosphoric etching, reverse osmosis water rinsing and non-chrome sealing to ensure corrosion resistance and excellent adhesion for the finish coating. The finish coating shall be electrostatically applied semi-gloss, super durable polyester powder baked at 400 degrees for a durable and superior, color retentive finish. Our optional antique Verde Green finish and Swedish Iron finish are hand brushed using a 3-step process. The total assembly is wrapped in shockproof wrapping or fully enclosed in corrugated cartons.

**INSTALLATION**

Three, hot-dipped galvanized "L" type anchor bolts shall be provided with the post for bollard anchorage.

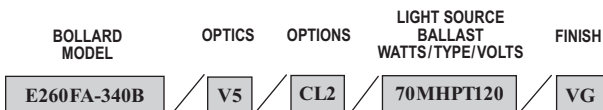
**WARRANTY** Five-year limited warranty. See warranty literature for details.



See installation template for exact door position.

**BUILDING A PART NUMBER**

**PART NUMBER SELECTIONS**

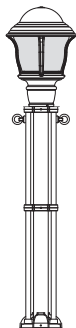


\* NOTE: For custom heights, designate height after bollard model. Example: E260-340B-64"

\*\* TO ORDER CHAIN: Specify total length of chain required for project.

**NOTES:**

- 1 For medium base or PL lamps in 260 series only.
- 2 For use in 270 series only. T is for T6 lamp.
- 3 For use in 250 or 260 series.
- 4 Electronic HID ballast drivers.
- 5 Metal halide systems are pulse start.
- 6 If fuse is required, specify FHD.
- 7 Requires ballast box or post mounting.



**MODELS \***

- E250 - E340B
- E250 CA - E340B
- E250 FA - E340B
- E260 CA - E340B
- E260 FA - E340B
- E270 - E340B
- E270 CA - E340B
- E270 FA - E340B

**OPTICS**

- LED<sup>†</sup> (E250 Only)
- IO3 (E270 Only)
- IO5 (E270 Only)
- V5

**BALLASTS<sup>5</sup>**

- 35HPS<sup>1</sup>
- 50HPS<sup>7</sup>
- 70HPS<sup>7</sup>
- 100HPS<sup>7</sup>
- 39MHPT<sup>2,3</sup>
- 50MHPE<sup>1,3,4</sup>
- 70MHPE<sup>1,3,4</sup>
- 70MHPT<sup>2,3</sup>
- 100MHPE<sup>1,3,4</sup>
- 26PLT<sup>1</sup>
- 32PLT<sup>1</sup>
- 42PLT<sup>1</sup>
- 57PLT<sup>1</sup>
- 70PLT<sup>1</sup>
- LED<sup>†</sup>

**VOLTAGES**

- 120 • 277
- 208 • 480
- 240 • MULTI (120-277)

**LAMPS<sup>5</sup>**

- HPS35/MED<sup>1</sup>
- HPS50/MED<sup>1</sup>
- HPS70/MED<sup>1</sup>
- HPS100/MED<sup>1</sup>
- MHP39/T6<sup>2</sup>
- MHP50/MED<sup>1</sup>
- MHP70/MED<sup>1</sup>
- MHP70/T6<sup>2</sup>
- MHP100/MED<sup>1</sup>
- PLT26<sup>1</sup>
- PLT32<sup>1</sup>
- PLT42<sup>1</sup>
- PLT57<sup>1</sup>
- PLT70<sup>1</sup>
- LED<sup>†</sup>

**OPTIONAL CHAIN LOOP\*\***

- CL1 Chain Loop
- CL2 Chain Loops 180°

**STANDARD FINISHES\***

- BKT Black Textured
- WHT White Textured
- PGT Park Green Textured
- ABZT Architectural Medium Bronze Textured
- DBT Dark Bronze Textured

\*Smooth Finishes are available upon request

**CUSTOM FINISHES**

- OI Old Iron
- RT Rust
- WBR Weathered Brown
- CD Cedar

**OPTIONS**

- FHS Single Fuse and Holder-120,277 Volt
- FHD Dual Fuse and Holder-208,240,480 Volt
- GFI Ground Fault Interrupter Duplex Outlet<sup>1</sup>
- LAMPS Select from List

<sup>1</sup>GFI not available with QR option

- WBK Weathered Black
- TT Two Tone

**STERNBERG SELECT FINISHES**

- VG Verde Green
- SI Swedish Iron
- OWGT Old World Gray Textured