

**E250LED-346B /
E260LED-346B**

EURO LED LIGHTED BOLLARD

SPECIFICATIONS

GENERAL

The models E250LED-346B / E260LED-346B decorative Euro lighted bollards are small scale, contemporary designs. They feature a cylindrical body, decorative aluminum cage and dome roof on a smooth straight shaft.

CONSTRUCTION

The bollard base shaft shall consist of a 6" diameter ASTM 6061 extruded aluminum tubing having a wall thickness of 1/4" and tempered to T6 condition. The anchor foot base shall be 6" diameter and made of heavy wall, 356 alloy cast aluminum and shall be vertically fastened to the bollard housing shaft. It shall have a 3/8" thick floor cast as an integral part of the base. The maximum overall height shall be 50". The luminaire shall be supplied with line-ground, line-neutral and neutral-ground electrical surge protection in accordance with IEEE/ANSI C62.41.2 guidelines. The bollard shall be U.L. or E.T.L. listed in U.S. and Canada.

The bollard housing shall be die-cast aluminum alloy for high tensile strength. Overall diameter shall be 13". The housing shall be an integral part of the base shaft to prevent water and dust entry into the enclosure. The E260LED-346B diffuser shall be made from vandal resistant clear (CA) or frosted acrylic (FA). The E250LED-346B shall have a flat diffuse acrylic lens covering the LED arrays.

DRIVER

The LED driver shall be securely mounted inside the fitter, for optimized driver performance and longevity. The LED driver shall be supplied with a quick-disconnect electrical connector on the power supply, providing easy power connections and fixture installation. The driver shall be a DC voltage output, constant current design, 50/60 HZ.

LIGHT SOURCES

The luminaire shall use high output, high brightness LEDs. The LEDs shall be mounted in arrays, on printed circuit boards designed to maximize heat transfer to the heat sink surface. The LEDs shall be attached to the printed circuit board with not less than 90% pure silver to insure optimal electrical and thermal conductivity. The LEDs and printed circuit boards shall be protected from moisture and corrosion by a conformal coating of 1 to 3 mils. The LEDs and printed circuit board construction shall be environmentally friendly and 100% recyclable. They shall not contain lead, mercury or any other hazardous substances and shall be RoHS compliant. The LED life rating data shall be determined in accordance with IESNA LM-80.

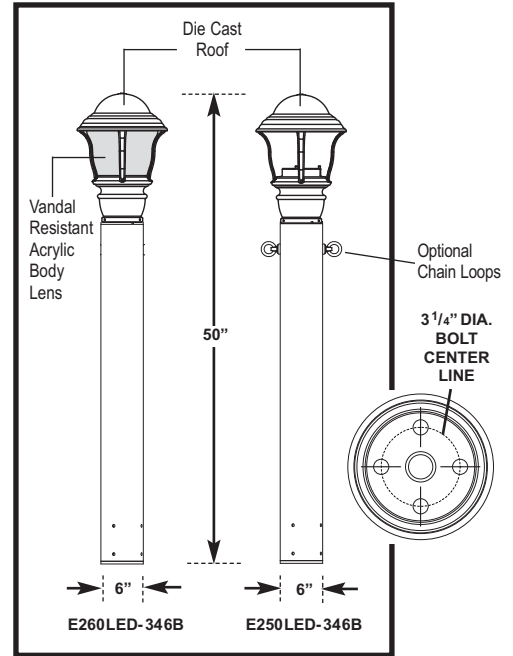
FINISH

Prior to coating, the luminaire shall be chemically cleaned and etched in a 5-stage washing system which includes alkaline cleaning, rinsing, phosphoric etching, reverse-osmosis water rinsing and non-chrome sealing to ensure corrosion resistance and excellent adhesion for the finish coat. The finish coat shall be an electrostatically applied semi-gloss, super durable polyester powder coat, baked on at 400°F, to provide a durable, color retentive finish. *The _____ (Verde Green or Swedish Iron) finish shall be hand-brushed using a 3-step process. *(OPTION)

INSTALLATION

Three, hot-dipped galvanized "L" type anchor bolts shall be provided with the post for bollard anchorage.

WARRANTY The luminaire shall be free from all defects in materials and workmanship for a period of seven (7) years from the date of manufacture. The luminaire manufacturer shall warrant the LED boards/system, during the stated warranty period, against failure defined as more than three simultaneous non-operating LEDs. The driver shall be warranted for seven (7) years.



See installation template for exact door position.

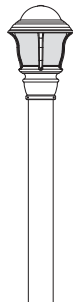
BUILDING A PART NUMBER

PART NUMBER SELECTIONS

BOLLARD MODEL	LIGHT SOURCE	DRIVER	OPTIONS	FINISH
E260FA-346B	1RND45T3	ML	FHD	VG

MODELS*

- E250LED-346B
- E250LEDSV1
- E250LEDSV2
- E260LEDCA
- E260LEDFA



DRIVERS

- ML-120-277
- MH-347-480***

OPTIONS

- PEC
- FHD - Dual Fuses (Consult Factory)
- CL1 Chain Loop**
- CL2 Chain Loops 180°**

LIGHT SOURCES T5

- 3ARC60T5 50W, 6000K Type V Optics
- 3ARC45T5 50W, 4500K Type V Optics
- 3ARC35T5 50W, 3500K Type V Optics
- 1RND60T5 31W, 6000K Type V Optics
- 1RND45T5 31W, 4500K Type V Optics
- 1RND35T5 31W, 3500K Type V Optics

LIGHT SOURCES T3

- 3ARC60T3 50W, 6000K Type III Optics
- 3ARC45T3 50W, 4500K Type III Optics
- 3ARC35T3 50W, 3500K Type III Optics
- 1RND60T3 31W, 6000K Type III Optics
- 1RND45T3 31W, 4500K Type III Optics
- 1RND35T3 31W, 3500K Type III Optics

STANDARD FINISHES*

- BKT Black Textured
 - WHT White Textured
 - PGT Park Green Textured
 - ABZT Architectural Medium Bronze Textured
 - DBT Dark Bronze Textured
- *Smooth Finishes are available upon request

CUSTOM FINISHES

- OI Old Iron
- RT Rust
- WBR Weathered Brown
- CD Cedar
- WBK Weathered Black
- TT Two Tone

STERNBERG SELECT FINISHES

- VG Verde Green
- SI Swedish Iron
- OWGT Old World Gray Textured