

E250 / E260 / E270 - 346B EURO LIGHTED BOLLARD

SPECIFICATIONS

GENERAL

The models E250 / E260 / E270-346B decorative EURO lighted bollards are small scale, architectural designs. They feature a cylindrical body, decorative aluminum cage and dome roof on a smooth straight shaft. The Models shall be Sternberg Lighting #E250-346B / #E260-346B/ or #E270-346B.

CONSTRUCTION

The bollard base shaft shall be 6" diameter ASTM 6061 extruded aluminum tubing having a wall thickness of 1/4" and tempered to a T6 condition. The anchor foot base shall be 11 7/8" diameter and made of heavy wall, 356 alloy cast aluminum and shall be vertically fastened to bollard housing shaft. It shall have a 5/8" thick floor cast as an integral part of the base. The maximum overall height of the bollard shall be 50".

The bollard optic housing shall be die-cast aluminum alloy for high tensile strength. Overall diameter shall be 13". The housing shall be an integral part of the base shaft to prevent water and dust entry into the enclosure and to ensure high capacity heat sinking of the ballast, keeping the ballast cooler to ensure long life.

When specified with body lens it shall be made from vandal resistant clear (CA) or frosted acrylic (FA).

E270-346B OPTICS

Indirect Roof Optics (IO3 or IO5) distribution shall be delivered by a reflector system in combination with an aluminum lamp reflector which provides cut-off. The reflector cavities shall be made of specular anodized aluminum. Type 3 (IO3) and Type 5 (IO5) are available for T6 base lamps only.

E250-346B shall be equipped with high output, high brightness LED's. (See separate EURO LED lighted Bollard specifications for details).

ELECTRICAL

Fixture shall be U.L. or E.T.L. listed in U.S. and Canada. H.I.D. ballasts shall be electronic high power factor with lamp starting down to -30 degrees C. Medium base porcelain or T6 Bi-pin sockets are 4KV rated. The ballast/socket assembly shall be pre-wired when ballast is located in the fixture. All compact fluorescent (PL) ballasts shall be instant start electronic with a starting temperature of down to 0 degrees F. They shall have a 4-pin socket to accept quad or triple tube lamps. Ballasts shall be DOE EISA compliant.

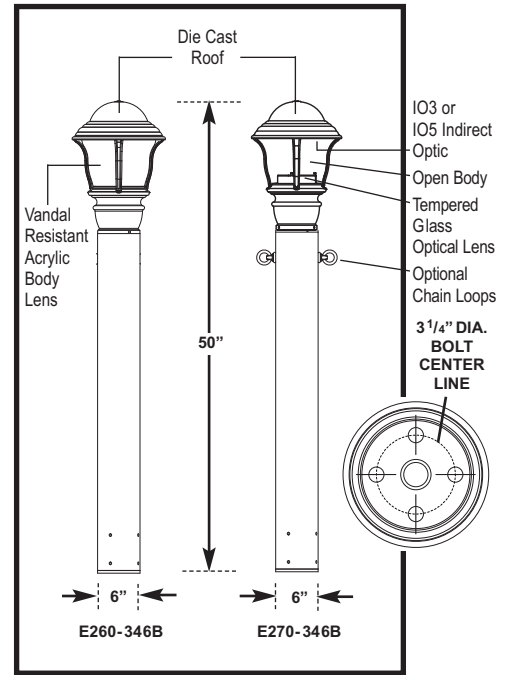
FINISH

Prior to coating, each assembly is chemically cleaned and etched in a 5-stage washing system which includes alkaline cleaning, rinsing, phosphoric etching, reverse osmosis water rinsing, and non-chrome sealing to ensure corrosion resistance and excellent adhesion for the finish coating. The finish coating shall be electrostatically applied semi-gloss, super durable polyester powder baked at 400 degrees for a durable and superior, color retentive finish. Our optional antique Verde Green finish and Swedish Iron finish are hand brushed using a 3-step process. The total assembly is wrapped in shockproof wrapping or fully enclosed in corrugated cartons.

INSTALLATION

Four, hot-dipped galvanized "L" type anchor bolts shall be provided with the post for bollard anchorage.

WARRANTY Five-year limited warranty. See warranty literature for details.



See installation template for exact door position.

BUILDING A PART NUMBER

PART NUMBER SELECTIONS

BOLLARD MODEL	OPTICS	OPTIONS	LIGHT SOURCE BALLAST WATTS/TYPE/VOLTS	FINISH	BALLASTS ⁵	LAMPS ⁵	FINISHES STANDARD	FINISHES CUSTOM
E260FA-346B	V5	FHS	70MHPT120	VG	<ul style="list-style-type: none"> 35HPS¹ 50HPS² 70HPS² 100HPS² 39MHPT^{2,3} 50MHPE^{1,3,4} 70MHPE^{1,3,4} 70MHPT^{2,3} 100MHPE^{1,3,4} 26PLT¹ 32PLT¹ 42PLT¹ 57PLT¹ 70PLT¹ LED⁺ 	<ul style="list-style-type: none"> HPS35/MED¹ HPS50/MED¹ HPS70/MED¹ HPS100/MED¹ MHP39/T6² MHP50/MED¹ MHP70/MED¹ MHP70/T6² MHP100/MED¹ PLT26¹ PLT32¹ PLT42¹ PLT57¹ PLT70¹ LED⁺ 	<ul style="list-style-type: none"> BKT Black Textured BK Black VG Verde Green PGT Park Green Textured PG Park Green ABZT Architectural Medium Bronze Textured ABZ Architectural Medium Bronze SI Swedish Iron DBT Dark Bronze Textured DB Dark Bronze 	<ul style="list-style-type: none"> OWGT Old World Gray Textured OWG Old World Gray WHT White Textured WH White CV Copper Vein WBK Weathered Black WBR Weathered Brown CD Cedar RT Rust OI Old Iron TT Two Tone CM Custom Match
<p>MODELS*</p> <ul style="list-style-type: none"> E250-E346B E250 CA-E346B E250 FA-E346B E260 CA-E346B E260 FA-E346B E270-E346B E270 CA-E346B E270 FA-E346B 					<p>OPTIONAL CHAIN LOOP**</p> <ul style="list-style-type: none"> CL1 Chain Loop CL2 Chain Loops 180° 			
<p>NOTES:</p> <ol style="list-style-type: none"> For medium base or PL lamps in 260 series only. For use in 270 series only. T is for T6 lamp. For use in 250 or 260 series. Electronic HID ballast drivers. Metal halide systems are pulse start. If fuse is required, specify FHD. Requires ballast box or post mounting. 					<p>OPTIONS</p> <ul style="list-style-type: none"> PEC1 Photocell-Bimetal 120 Volt PEC2 Photocell-Bimetal 208-277 Volt PEC1-E Photocell-Electronic 120 Volt PEC2-E Photocell-Electronic 208-277 Volt FHS Single Fuse and Holder-120,277 Volt FHD Dual Fuse and Holder-208,240,480 Volt GFI Ground Fault Interrupter Duplex Outlet¹ LAMPS Select from List 			

