



# E250LED / E260LED EURO SERIES

LED

**EPA**  
E250LED 0.58 (ft²)  
E260LED 0.71 (ft²)  
**WEIGHT**  
E250LED 30 LBS  
E260LED 30 LBS

**7 YEAR WARRANTY**

**LUMEN RANGE**  
1,880-4,530

**LIFE SPAN**  
L70 UP TO 100,000 HOURS

**UL LISTED**

**CLICK FOR FAQ'S**

**JOB NAME** \_\_\_\_\_

**FIXTURE TYPE** \_\_\_\_\_

**MEMO** \_\_\_\_\_

## BUILD A PART NUMBER

**ORDERING EXAMPLE: 2A-E250LED-3ARC45T5-MDH03-SV1-PEC-FHD/EU2PM/32IOP4/PCC/BKT**

Mounting Config.	Fixture	LED	CCT	Type	Driver	Lens	Option Photocontrol	Option Fuse	Arm <small>See Arm Spec Sheets</small>	Pole <small>See Pole Spec Sheets</small>	Finish

### Mounting Configuration

[\(Click here to view mounting configuration sheet\)](#)

- IW      • 2A      • 3A90      • 1AM
- PT      • 2A90      • 3APT      • 2AM
- 1A      • 2APT      • 4A      • 45OPB
- 1APT    • 3A      • 4APT

W = Wall Mount    PT = Post Top    APT = Post Top Arm Mid-Mount  
A = Arm Mount    AM = Arm Mid-Mount    PB = Pier Base

### Fixture

- E250LED      • E260LED

### LED

- 3ARC      • IRND

### CCT - Color Temperature (K)

- 27(00)      • 35(00)      • 45(00)

### Type

- T2    • T3    • T3R    • T4    • T5

### Driver

- MDL03 (120v-277v, 350Ma)
- MDH03 (347v-480v, 350Ma)

### Lens

- CA<sup>1</sup> (Clear Acrylic)
- FA<sup>1</sup> (Frosted Acrylic)
- FL<sup>2</sup> (Flat Acrylic Lens)
- SV1<sup>2</sup> (Flat Soft Vue Medium Diffused Acrylic)
- SV2<sup>2</sup> (Flat Soft Vue Heavy Diffused Acrylic)

<sup>1</sup>For use with E260LED only.

<sup>2</sup>For use with E250LED only.

### Options [\(Click here to view accessories sheet\)](#)

- PEC Electronic Button Photocontrol (120v-277v)
- PEC4 Electronic Button Photocontrol (480v)
- FHD<sup>3</sup> Dual Fuse and Holder

<sup>3</sup> Ships loose for installation in base.

### Arm [\(Click here to view arm website page\)](#)

See Arms & Wall Brackets specification sheets.

- 78U      • 80      • EU2

### Pole [\(Click here to view pole website page\)](#)

See Pole specification sheets.

### Finish [\(Click here to view paint finish sheet\)](#)

#### Standard Finishes<sup>4</sup>

- BKT Black Textured
- WHT White Textured
- PGT Park Green Textured
- ABZT Architectural Medium Bronze Textured
- DBT Dark Bronze Textured

<sup>4</sup>Smooth finishes are available upon request.

#### Custom Finishes<sup>5</sup>

- CM Custom Match
- OI Old Iron
- RT Rust
- WBR Weathered Brown
- CD Cedar
- WBK Weathered Black
- TT Two Tone

<sup>5</sup>Custom colors require upcharge.

#### Sternberg Select Finishes

- VG Verde Green
- SI Swedish Iron
- OWGT Old World Gray Textured

## Specifications

### Fixture

This small scale contemporary fixture includes a die-cast aluminum roof, fitter and (4) sweeping support legs. The unit is provided with an acrylic tapered cylindrical molded lens matching the profile of the support legs (E260LED), or a flat acrylic lens allowing for an open body (E250LED). The Luminaire shall be UL listed in US and Canada.

### Fitter - Standard

Cast aluminum fitter slips a 4" OD x 2.5" tall tenon or pole.

### LED's

The luminaire shall use high output, high brightness LED's. They shall be mounted in arrays, on printed circuit boards designed to maximize heat transfer to the heat sink surface. The arrays shall be roof mounted to minimize up-light. The LED's and printed circuit boards shall be 100% recyclable; they shall

also be protected from moisture and corrosion by a conformal coating of 1 to 3 mils. They shall not contain lead, mercury or any other hazardous substances and shall be RoHS compliant. The LED life rating data shall be determined in accordance with IESNA LM-80. The High Performance white LED's will have a life expectancy of approximately 100,000 hours with not less than 70% of original brightness (lumen maintenance), rated at 25°C. The High Brightness, High Output LED's shall be 4500K (3500K or 2700K option) color temperature with a minimum CRI of 70. Consult factory for custom color CCT. The luminaire shall have a minimum \_\_\_\_\_ (see table) delivered initial lumen rating when operated at steady state with an average ambient temperature of 25°C (77°F).

### Optics

The luminaire shall be provided with individual, refractor type optics applied to each LED. The luminaire shall provide Type \_\_\_\_ (2, 3, 3R, 4 or 5) light distribution per the IESNA classifications. Testing shall be done in accordance with IESNA LM-79.

### Electronic Driver

The LED driver shall be U.L. Recognized. It shall be securely mounted inside the fixture, for optimized performance and longevity. It shall be supplied with a quick-disconnect electrical connector on the power supply, providing easy power connections and fixture installation. It shall have overload as well as short circuit protection, and have a DC voltage output, constant current design, 50/60HZ. It shall be supplied with line-ground, line-neutral and neutral-ground electrical surge protection in accordance with IEEE/ANSI C62.41.2 guidelines. It shall be dimmable using a 0-10v signal.

**For sources over 50w:** The driver shall have a minimum efficiency of 90%. The driver shall be rated at full load with THD<20% and a power factor of greater than 0.90. The driver shall contain over-heat protection.

**For sources under 50w:** The driver shall have a minimum efficiency of 88%.

*See next page*

# E250LED / E260LED EURO SERIES

LED

## Photocontrols

**Button Style:** The photocontrol shall be mounted in the pole shaft on an access plate. The electronic button type photocontrol is instant on with a 5-10 second turn off, and shall turn on at 1.5 footcandles with a turn-off at 2-3 footcandles. Photocontrol is 120-277 volt and warranted for 6 years.

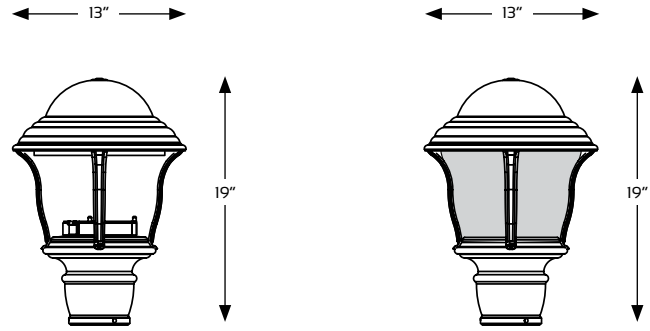
## Warranty

Seven-year limited warranty. See product and finish warranty guide for details.

## Finish

Refer to website for details.

## Fixtures



E250LED  
Open Body

E260LED  
Body Lens

## Performance - E250LED

LIGHT SOURCE	T2 INITIAL LUMENS	EFFICACY (LPW)	T3 INITIAL LUMENS	EFFICACY (LPW)	T3R INITIAL LUMENS	EFFICACY (LPW)	T4 INITIAL LUMENS	EFFICACY (LPW)	T5 INITIAL LUMENS	EFFICACY (LPW)	WATTAGE
3ARC27T_	3015	58.0	2900	55.8	3005	57.8	3055	58.8	2990	57.5	52
3ARC35T_	3445	66.3	3310	63.7	3430	66.0	3485	67.0	3410	65.6	52
3ARC45T_	3870	74.4	3720	71.5	3850	74.0	3915	75.3	3830	73.7	52
1RND27T_	2000	62.5	1880	58.8	1960	61.3	1935	60.5	1935	60.5	32
1RND35T_	2285	71.4	2150	67.2	2235	69.8	2210	69.1	2210	69.1	32
1RND45T_	2565	80.2	2415	75.5	2515	78.6	2480	77.5	2485	77.7	32

## Performance - E260LED

LIGHT SOURCE	T2 INITIAL LUMENS	EFFICACY (LPW)	T3 INITIAL LUMENS	EFFICACY (LPW)	T3R INITIAL LUMENS	EFFICACY (LPW)	T4 INITIAL LUMENS	EFFICACY (LPW)	T5 INITIAL LUMENS	EFFICACY (LPW)	WATTAGE
3ARC27T_	3305	63.6	3345	64.3	3375	64.9	3395	65.3	3535	68.0	52
3ARC35T_	3775	72.6	3815	73.4	3850	74.0	3875	74.5	4030	77.5	52
3ARC45T_	4240	81.5	4290	82.5	4325	83.2	4355	83.8	4530	87.1	52
1RND27T_	2215	69.2	2135	66.7	2180	68.1	2115	66.1	2230	69.7	32
1RND35T_	2530	79.1	2440	76.3	2490	77.8	2415	75.5	2545	79.5	32
1RND45T_	2840	88.8	2740	85.6	2795	87.3	2710	84.7	2860	89.4	32