

A653 /A655 PRINCETON SERIES

SPECIFICATIONS

GENERAL

The A653/A655 Princeton series is a stylized Victorian acorn fixture which consists of a decorative cast aluminum fitter, cast ballast housing assembly and a high efficiency polycarbonate or acrylic prismatic acorn globe. It shall be appointed with a cast aluminum decorative 4-vane finial.

FITTER - STANDARD

The fitter shall be heavy wall cast aluminum, 356 alloy for high tensile strength. It shall have an 8 1/2" inside diameter opening to attach to the 8" neck of the acorn globe. When ordered with a Sternberg aluminum pole, the fitter shall be welded to the pole top or tenon for safety and to ensure the fixture will be plumb, secure and level over the life of the installation. The fitter shall have a one-piece ring bug gasket to resist insect penetration into lamp assembly.

STANDARD FITTER-TL FOR QUICK & TOOL-LESS REMOVAL OF ACORN

The fitter shall be heavy wall cast aluminum, 356 or 360 alloy for high tensile strength. It shall have an 9 1/4" inside diameter opening to attach to the 8" neck of the acorn globe. When ordered with a Sternberg aluminum pole, the fitter shall be set screwed to the pole top or tenon. The fitter shall have an aluminum die cast twist-lock mechanism for tool-less, 1/4 turn installation and removal of acorn globe. The acorn is provided with a die cast mating collar which is easily removed and reused if acorn replacement is ever performed.

990 FITTER SERIES OPTION

The fitter shall be heavy wall cast aluminum, 360 die cast alloy for high tensile strength. It shall have a 9 1/4" inside diameter opening to attach to the 8" neck of the acorn globe. It shall have a hinged, tool-less entry door that provides open access to all of the components. The 990 shall have an optional terminal block for ease of wiring, an optional Twist-Lock Photocell receptacle, an optional GFCI outlet for auxiliary power needs. The top mounted ballast mounting plate shall be cast aluminum and provide tool-less removal from the housing using 2 finger latches. When ordered with a Sternberg aluminum pole, the fitter shall be set screwed to the pole top or tenon. The fitter shall have a one-piece ring bug gasket to resist insect penetration into lamp assembly. When supplied with GFI receptacle a hole will be provided for cord and plug installation with the access door closed. When cord and plug is not in use a filler plug will be provided and shall be tethered to the fitter for easy recovery and installation.

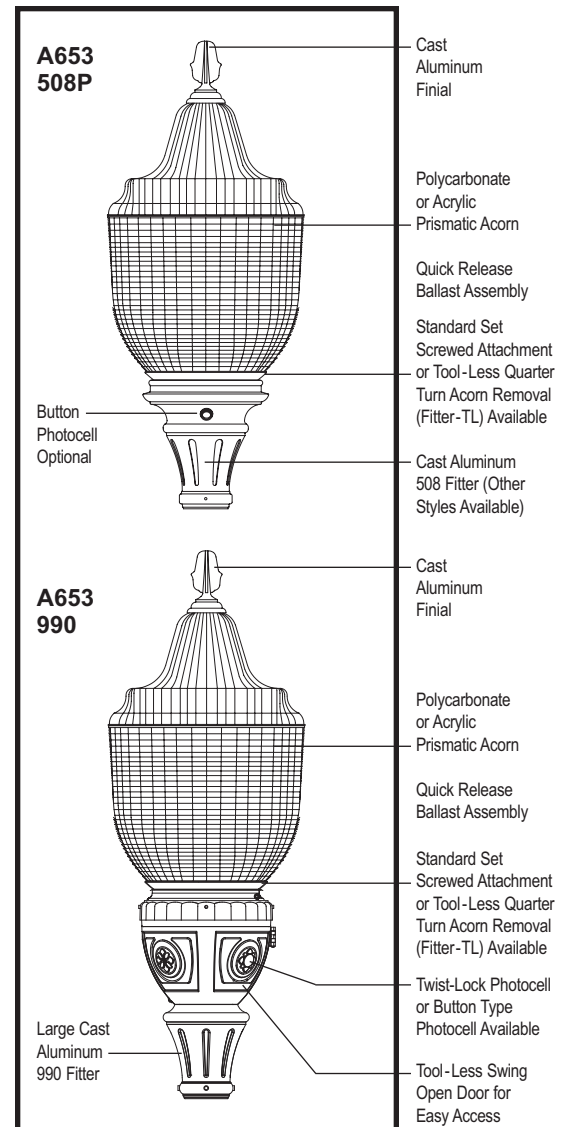
990 TL FITTER (OPTIONAL)

The TL (Twist-Lock) fitter version of the 990 shall have an aluminum die-cast twist-lock mechanism.

The tool-less 1/4 turn action allows for easy globe removal and replacement. A die-cast ring assembly is mechanically attached to the globe and is removable if the globe is broken or replaced.

ELECTRICAL

Fixture shall be U.L. or E.T.L. listed in U.S. and Canada. H.I.D. ballasts shall be high power factor with lamp starting down to -30 degrees C. Medium base and mogul base porcelain sockets are 4KV rated. The ballast/socket assembly



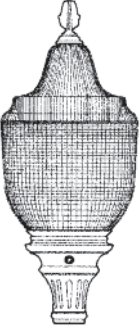
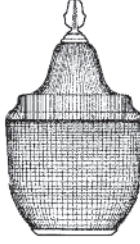
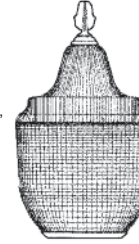
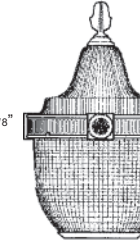
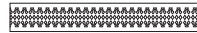


**EPA = 2.06 (ft²)
WEIGHT = 15 LBS**

**LIST NO.
A653/A655
PRINCETON
SERIES**

A653/A655 PRINCETON

ACORNS / FITTERS / ARMS PM - WB

ACORNS / OPTIONAL TOPS / OPTICAL SYSTEMS

15 7/8" W	15 7/8" W	15 7/8" W	18" W			
						
37 1/2"	27 3/8"	27 3/8"	27 3/8"	PBDR Perforated Brass Decorative Ring	CDR-CL Custom Logo	RSC Reflector Semi-Cutoff
A653 Polycarbonate A653A Acrylic Type 3	A655 Polycarbonate A655A Acrylic Type 5	CDR Option Cast Aluminum Decorative Ring		HSS House Side Shield		

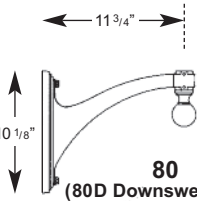
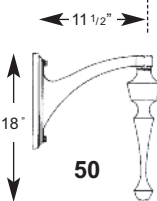
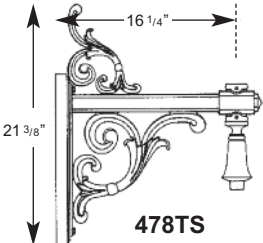
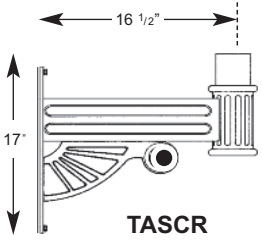
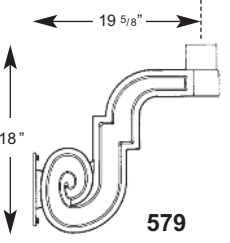
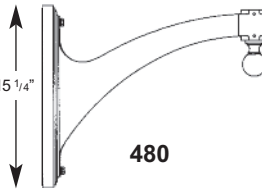
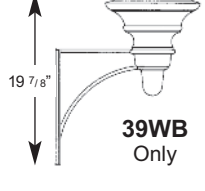
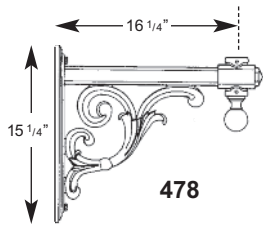
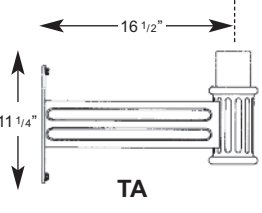
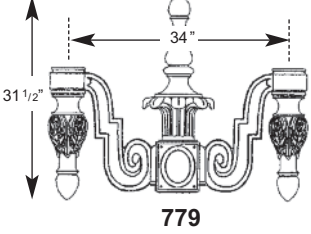
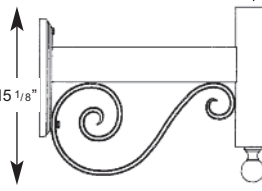

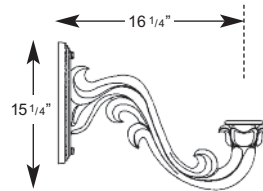
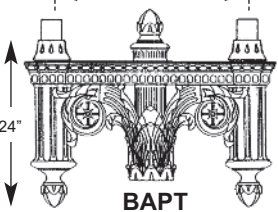
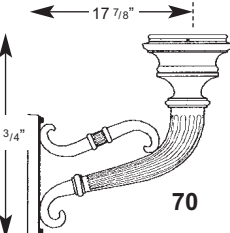
FITTERS

10 5/8" W 10 5/8" H	10 5/8" W 10 5/8" H	10 5/8" W 10 1/4" H	10 5/8" W 11 3/4" H	10 5/8" W 11 3/4" H	10 5/8" W 11 3/4" H	10 5/8" W 14 1/2" H	10 1/2" W 15 3/4" H	10 1/2" W 13 3/4" H	10 1/2" W 13 3/4" H	10 1/2" W 15 3/4" H
5P or 5T* (508) Fits 3" poles or tenons and arms below	BD4 (508BD4) Fits 4" poles or tenons	BD5 (508BD5) Fits 5" poles or tenons	B7 (508B7) Fits 7" poles or tenons	BD7 (508BD7) Fits 7" poles or tenons	7 or 7T* (708) Fits 4" poles or tenons - 3" with adapter & large arms	588 (ART DECO 1) Fits 3" poles or tenons and arms below	990 or 990T* Fits 3" poles or tenons and large arms	991 or 991T* Fits 3" poles or tenons and large arms	992 or 992T* Fits 3" poles or tenons and large arms	993 or 993T* Fits 3" poles or tenons and large arms

*Twist Lock Acorn (Fitter TL)

ARMS - POST MOUNT (PM) or WALL BRACKETS (WB)

See Arms Section for more information

 80 (80D Downswept Arm) 11 3/4" W 10 1/8" H	 50 11 1/2" W 18" H	 478TS 16 1/4" W 21 3/8" H	 TASC 16 1/2" W 17" H	 579 19 5/8" W 18" H
 480 17 3/4" W 15 1/4" H	 39WB Only 11 1/4" W 19 7/8" H	 478 16 1/4" W 15 1/4" H	 TA 16 1/2" W 11 1/4" H	 779 34" W 31 1/2" H
 6236 18 3/8" W 15 1/8" H 11-13	 450PB 10 1/2" W 3 3/4" H	 55L 16 1/4" W 15 1/4" H	 BAPT Twin Only 27 1/2" W 24" H	 70 17 7/8" W 22 3/4" H

BUILDING A PART NUMBER



POST & ARM FIXTURES

ARM MOUNTED FIXTURE		CENTER POST TOP FIXTURE (PT)		POST	POST CAP	LIGHT SOURCE BALLAST	OPTICS	OPTIONS	FINISH
NO. OF ARMS	ACORN / FITTER / POSTARM	ACORN / FITTER	(See Post Section)			WATTS / TYPE / VOLTS			
		A653 / 5P	PT	4214FP4		100 HPS120		PEC1	BKT



WALL FIXTURES

ACORN / FITTER / WALLBRACKET	LIGHT SOURCE BALLAST	OPTICS	OPTIONS	FINISH
WATTS / TYPE / VOLTS				
A653 / 5P / 50WB	100 HPS120	RSC	CDR	BKT



PIER FIXTURES
Uses same information boxes as wall fixture

A653 / 5P / 450PB

ACORN / FITTER / PIER BASE

PART NUMBER SELECTIONS

FIXTURES

- A653
- A653A
- A655
- A655A

FITTERS

- 5P or 5T
- 7 or 7T
- 990 or 990T
- 991 or 991T
- 992 or 992T
- 993 or 993T
- BD4
- BD5
- BD7
- B7
- 588

OPTIONS

- CDR Cast Decorative Ring
- CDR-CL Cast Decorative Ring with Custom Logo
- PBDR Perforated Brass Decorative Ring⁵
- PEC1 Photocell-Bimetal 120 Volt
- PEC2 Photocell-Bimetal 208-277 Volt
- PEC1-E Photocell-Electronic 120 Volt
- PEC2-E Photocell-Electronic 208-277 Volt
- R³ Receptacle Only for Twist-Lock Photo Cell
- R1³ Twist-Lock Photo Cell 120-277 Volt
- G³ GFI 15 Amp for 990 Series Fitter
- TB³ Terminal Block
- FHS Single Fuse & Holder-120,277 Volt
- FHD Dual Fuse & Holder-208,240,480 Volt
- QR Quartz Re-Strike
- PF Pineapple Finial or Font (TA, TASCRT)
- BF Ball Finial or Font (TA, TASCRT)
- LAMPS Select from List

POST ARMS

- 50PM
- 50DPM
- 78PM
- 478PM
- 478TSPM
- 70PM**
- 80PM
- 80DPM
- 480PM
- 480DPM
- 55PM
- 55LPM
- 779PT
- 6236PM
- 579PT
- TAPT
- TASCRT
- BAPT
- Twin Only

WALL BRACKET ARMS

- 50WB
- 50DWB
- 78WB
- 478WB
- 478TSWB
- 70WB**
- 80WB
- 80DWB
- 480WB
- 480DWB
- 55WB
- 55LWB
- 6236WB
- 579WB
- TAWB
- TASCRTWB
- 39WB**

**No fitter required

BALLASTS^{2,4}

- 35HPS¹
- 50HPS
- 70HPS
- 100HPS
- 150HPS
- 250HP
- 50MHP
- 70MHP
- 100MHP
- 150MHP
- 200MHP
- 250MHP
- QL55*

*Consult factory for specification details

VOLTAGES

- 120
- 208
- 240
- 277
- 480
- MULTI (120-277)

LAMPS⁴

- HPS35/MED
- HPS50/MED
- HPS70/MED
- HPS100/MED
- HPS150/MED
- HPS250/MOG/ED18
- MHP50/MED
- MHP70/MED
- MHP100/MED
- MHP150/MED
- MHP200/MOG/ED28
- MHP250/MOG/ED28

OPTICS

- RSC
- HSS

PIER BASE

- 450PB

STANDARD FINISHES*

- BKT Black Textured
- WHT White Textured
- PGT Park Green Textured
- ABZT Architectural Medium Bronze Textured
- DBT Dark Bronze Textured

*Smooth Finishes are available upon request

CUSTOM FINISHES

- OI Old Iron
- RT Rust
- WBR Weathered Brown
- CD Cedar
- WBK Weathered Black
- TT Two Tone

STERNBERG SELECT FINISHES

- VG Verde Green
- SI Swedish Iron
- OWGT Old World Gray Textured

NOTES:

- ¹ 35HPS is 120 volt only.
- ² Medium base sockets standard with ballasts up to 150 watts. Mogul base sockets are standard with ballasts 200 watts HID and over.
- ³ For 990 or 990T series fitter only.
- ⁴ Metal halide systems are pulse start.
- ⁵ Standard is polished. If painted, specify PBDR-P.

A653 / A655 PRINCETON SERIES

SPECIFICATIONS

**LIST NO.
A653 / A655
PRINCETON
SERIES**

shall be pre-wired when ballast is located in the fitter. Ballasts shall be DOE EISA compliant.

ACORN GLOBE

The prismatic acorn globe shall be 15 ⁷/₈" in diameter and 27 ³/₈" tall with an 8" aluminum neck. It will be made of vandal resistant prismatic polycarbonate or dent resistant (DR) prismatic acrylic. The acorn globe can be specified in either an I.E.S. Type 3 (Model A653) or Type 5 (Model A655) light distribution. The optional (CDR) is a heavy cast aluminum ring with four cast medallions finished in accent gold. Also available are custom medallions that can be specified with a name, initial or logo.

OPTICAL

The prismatic acorn globe can be specified with an optional reflector (RSC) which will provide a semi cut-off light effect. This will provide reduced up-light and improved downward efficiency. **House Side Shield (HSS)** is an option that will block 120° of light in any one direction.

QUARTZ RE-STRIKE

The A653/A655 fixture can be supplied with an optional quartz re-strike system to retain constant fixture light if the H.I.D. lamp fails. The fixture will be equipped with a 100 watt quartz lamp and a controller to run on a 120 volt circuit and must be used in conjunction with a 120 volt or multi-tap ballast.

PHOTOCELLS

Photocells shall be Thermo Bi-Metal button type. Electronic button type or twist lock ANSI type. Photo controls shall be mounted to the Pole shaft or in the fitter when the luminaire is in a post top mounting configuration. Twist-lock photo controls shall be mounted in the 990 Utility fitter in post top mounting configuration or post top when using an arm mount configuration. All shall be pre-wired to the driver. On multiple head luminaire assemblies button type photo controls will be mounted to an access door attached to the pole shaft and left unwired from the factory for easy wiring in the field. The thermo bi-metal button type control shall be designed to turn on at 1.0 f.c. and turn off at not more than 5 f.c. The electronic button type photo control shall be instant on and a 5-10 second turn off. The photo control shall turn on at 1.5 f.c. and off at 2-3 f.c. The twist-lock photo control shall turn on at 1.0 f.c. and off at 1.5 f.c. Photo controls will operate at 120v, 208v-277v or 480v.

ARMS

All arms are made of cast aluminum and/or extruded aluminum. Arms with decorative filigree have meticulously detailed scroll work and gracefully curved brackets. All A653/A655 fixtures will have its fitter either welded to the arm or will be mechanically attached at the factory to ensure arms will be plumb, secure and level over the life of the installation. Each arm shall be bolted to a post mount adapter, which is welded to the pole to ensure proper alignment to the base. Twin TA, TASCRA and 579 arms will be attached to a decorative center hub which will slip-fit the center tenon of the pole (not shown). BA and 779 arms are available as a twin application. Arms are pre-wired for ease of installation.

FINISH

Prior to coating, each assembly shall be chemically cleaned and etched in a 5-stage washing system which includes alkaline cleaning, rinsing, phosphoric etching, reverse osmosis water rinsing, and non-chrome sealing to ensure corrosion resistance and excellent adhesion for the finish coating. The finish coating shall be electrostatically applied semi-gloss, super durable polyester powder baked at 400 degrees for a durable and superior, color retentive finish. Our optional antique Verde Green finish and Swedish Iron finish are hand brushed using a 3-step process. The total assembly shall be wrapped in shockproof wrapping or fully enclosed in corrugated cartons.

WARRANTY

Five-year limited warranty. See product and finish warranty guide for details.

