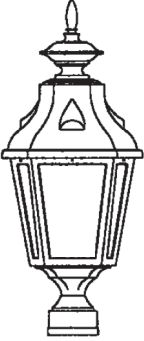











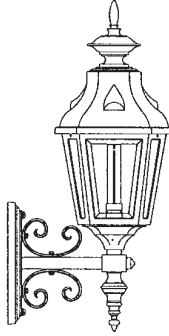




# 8800 CLASSIC RESIDENTIAL SERIES

# SPECIFICATIONS

FIXTURES	SOCKET TYPE			OPTICAL SYSTEMS		BB BALLAST BOX
 <b>8830</b>	 <b>MED</b> Single Medium Base Socket	 <b>3L</b> Three Light Cluster Candelabra Socket Assembly	 <b>PL</b> Compact Fluorescent	 <b>FHC</b> Frosted Hurricane Chimney	 <b>RE3</b> <b>RE5</b> Refractor Type 3 and Type 5	<b>78BB</b> - Large Scale for up to 150 watt ballasts  <b>28BB</b> - Hanging or Pier for up to 150 watt ballasts  <b>27BB</b> - Hanging or Pier for up to 100 watt ballasts 

FIXTURES						
 <b>8830*</b>	 <b>8815</b>	 <b>8814</b>	 <b>8879</b>	 <b>8827</b>	 <b>8835</b>	
9 3/4"	11" / 9 3/4"	11" / 9 3/4"	13 5/8" / 9 3/4"	9 3/4"	9 3/4"	
23 1/2"	33"	23 1/4"	26 15/16"	73" with 36" Chain	23 3/4"	

NOTE: 8800 Series requires ballast box  
 Add 2' to 4" on extensions for ballast box.  
 3 Lite cluster is 25 watt max lamp per socket.  
 \*Remote ballast box required if HID or CF.

# BUILDING A PART NUMBER



## POST & ARM FIXTURES

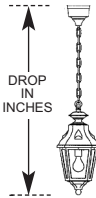
ARM MOUNTED FIXTURE NO.	CENTER POST TOP FIXTURE (PT)	POST	POST CAP	LIGHT SOURCE BALLAST	OPTICS	OPTIONS	LENS	FINISH
OF ARMS	FIXTURE / POSTARM	FIXTURE	(See Post Section)	WATTS / TYPE / VOLTS				
2	8830/78PM		3412FP5	FCC	100HPS120	RE5	HPS100/MED	CSA / BKT



## WALL FIXTURES

FIXTURE / WALL BRACKET	LIGHT SOURCE BALLAST	OPTICS	OPTIONS	LENS	FINISH	PIER FIXTURES
WATTS / TYPE / VOLTS						Uses same information boxes as wall fixture
8814/80WBBB	100HPS120	RE5	HPS100/MED	CTA	BKT	8835/3L

FIXTURE / PIER BASE



## HANGING FIXTURES

FIXTURE / HANGING BRACKET	OVERALL DROP IN INCHES	LIGHT SOURCE BALLAST	OPTICS	OPTIONS	LENS	FINISH
WATTS / TYPE / VOLTS						
8827/CH27BB	36 INCHES	100 HPS120	RE5	HPS100/MED	CSA	BKT

## PART NUMBER SELECTIONS

### FIXTURES<sup>1</sup>

- 8830
- 8815
- 8814
- 8879
- 8827
- 8835

### OPTICS

- RE3
- RE5
- FHC
- MED
- 3L
- PL

### LENSES

- BG
- CSA
- CTA
- CA
- WA

### OPTIONS

- LAMPS  
Select from List
- BE - Brass Eagle
- BP - Brass Package

### BALLASTS<sup>1,4</sup>

- 35HPS<sup>2</sup>
- 50HPS
- 70HPS
- 100HPS
- 150HPS
- 50MHP
- 70MHP
- 100MHP
- 150MHP
- 26PLT
- 32PLT
- 42PLT
- 57PLT
- 60PLH
- INCAND  
(150 watt max.)

### BB - BALLAST BOX

- 78BB - Large Scale for up to 150 watt ballasts
- 28BB - Hanging or Pier for up to 150 watt ballasts
- 27BB - Hanging or Pier for up to 100 watt ballasts

### LAMPS<sup>5</sup>

- HPS35/MED
- HPS50/MED
- HPS70/MED
- HPS100/MED
- HPS150/MED
- MHP50/MED
- MHP70/MED
- MHP100/MED
- MHP150/MED
- PLT26
- PLT32
- PLT42
- PLT57
- PLH60

### STANDARD FINISHES\*

- BKT Black Textured
- WHT White Textured
- PGT Park Green Textured
- ABZT Architectural Medium Bronze Textured
- DBT Dark Bronze Textured

\*Smooth Finishes are available upon request

### CUSTOM FINISHES

- OI Old Iron
- RT Rust
- WBR Weathered Brown
- CD Cedar
- WBK Weathered Black
- TT Two Tone

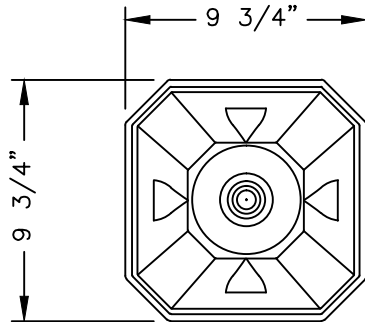
### STERNBERG SELECT FINISHES

- VG Verde Green
- SI Swedish Iron
- OWGT Old World Gray Textured

### Notes:

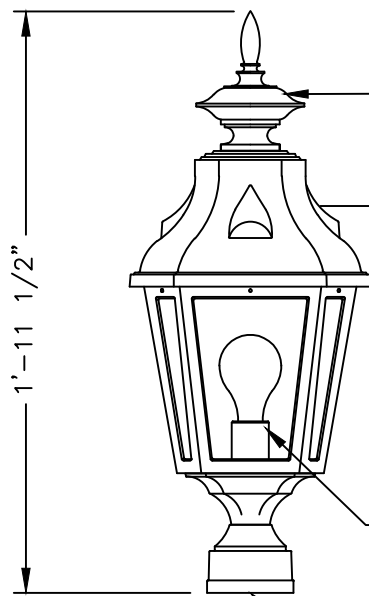
- <sup>1</sup> Pole mounted fixtures - requires ballast to be mounted in pole base.
- <sup>1</sup> Wall mounted fixtures - requires wall bracket arms with ballast box.
- <sup>1</sup> Pier mounted fixtures - require PB28BB or PB27BB if ballasted.
- <sup>1</sup> Hanging fixtures - require CH/SH28BB or CH/SH27BB if ballasted.
- <sup>2</sup> 35HPS is 120 volt only.
- <sup>3</sup> Medium base socket only when used to house lamp.
- <sup>4</sup> Medium base sockets standard with HID ballasts. 4-pin for PL.
- <sup>5</sup> Metal halide systems are pulse start.

# 8830 CLASSIC RESIDENTIAL SERIES



ALL ELECTRICAL COMPONENTS ARE U.L. OR E.T.L. LISTED IN USA AND CANADA.

FIXTURE WILL BE PREWIRED AND TESTED.



CAST ALUMINUM FINIAL

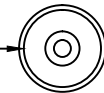
CAST ALUMINUM ROOF

(8) SIDED LENS AVAILABLE IN CLEAR SEEDED, CLEAR TEXTURED, CLEAR ACRYLIC, WHITE ACRYLIC OR BEVELED GLASS

MEDIUM BASE SOCKET, AVAILABLE WITH COMPACT FLUORESCENT OR 3 LIGHT CLUSTER

POST TOP STYLE AVAILABLE FOR WALL BRACKET, PIER BASE AND HANGING.

SLIPS 3" OD X 1 1/2" TALL TENON



SECURED WITH SET SCREWS

**STERNBERG**

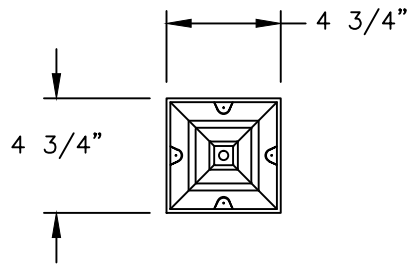
SINCE 1923

8830

3/16"=1'

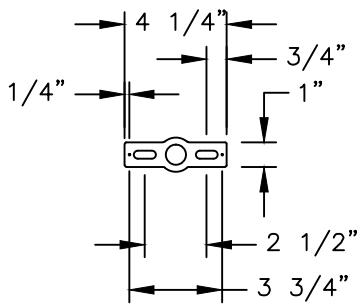
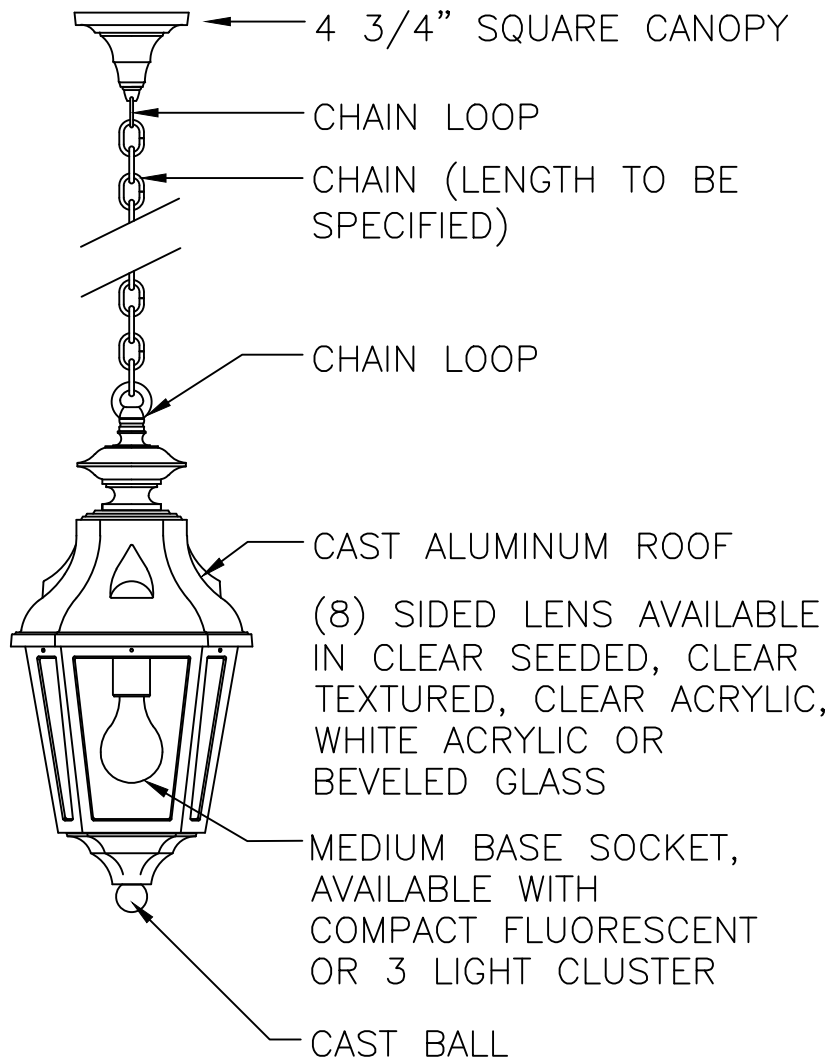
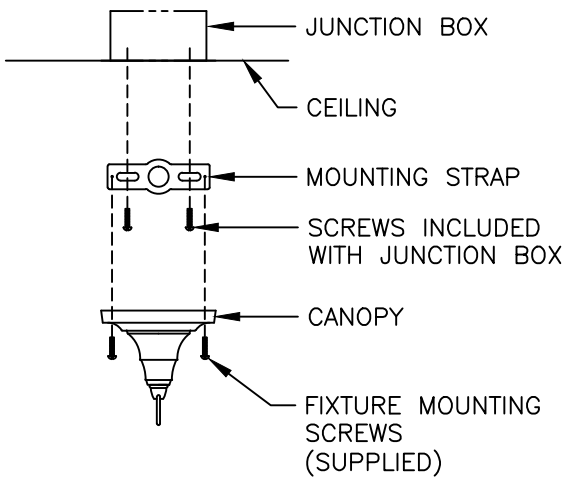
DRAWN LMG  
DRAWN DATE OCT 10 2011  
DRAWING NUMBER

# 8827 CLASSIC RESIDENTIAL SERIES



ALL ELECTRICAL COMPONENTS ARE U.L. OR E.T.L. LISTED IN USA AND CANADA.

FIXTURE WILL BE PREWIRED AND TESTED.



MOUNTING STRAP



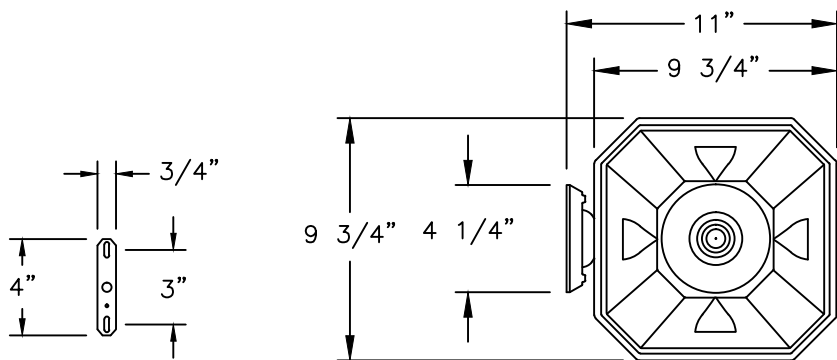
8827

3/16"=1'	DRAWN	LMG
	DRAWN DATE	OCT 10 2011
		DRAWING NUMBER

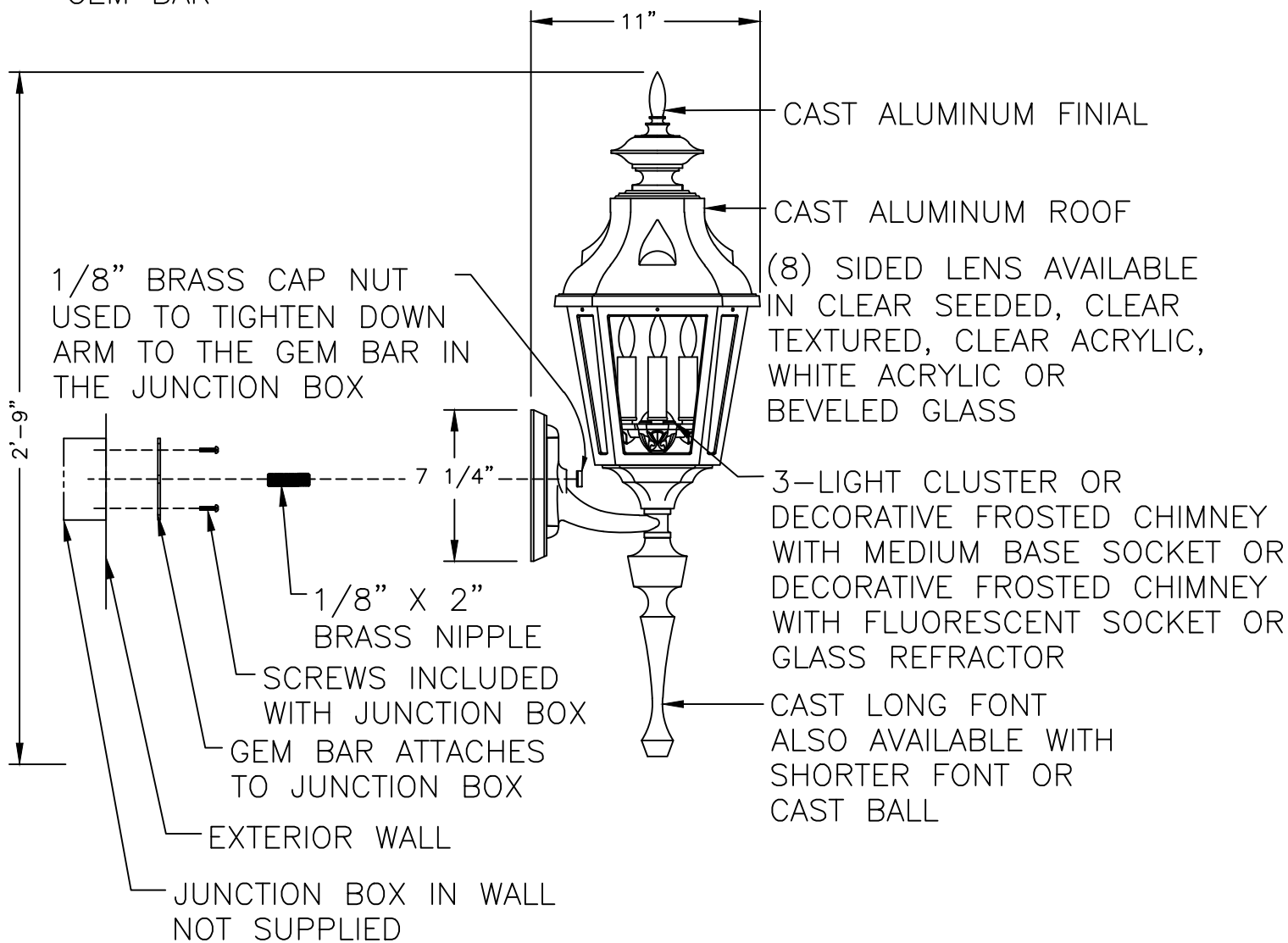
# 8815 CLASSIC RESIDENTIAL SERIES

ALL ELECTRICAL COMPONENTS ARE U.L. OR E.T.L. LISTED IN USA AND CANADA.

FIXTURE WILL BE PREWIRED AND TESTED.



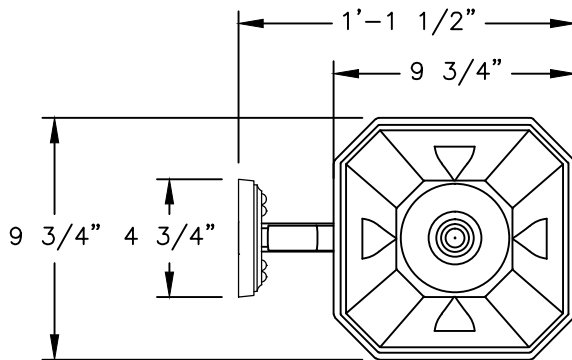
GEM BAR



8815

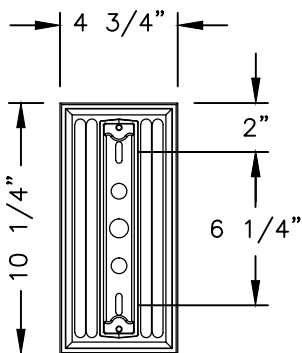
3/16"=1'	DRAWN	LMG
	DRAWN DATE	OCT 10 2011
		DRAWING NUMBER

# 8879 CLASSIC RESIDENTIAL SERIES

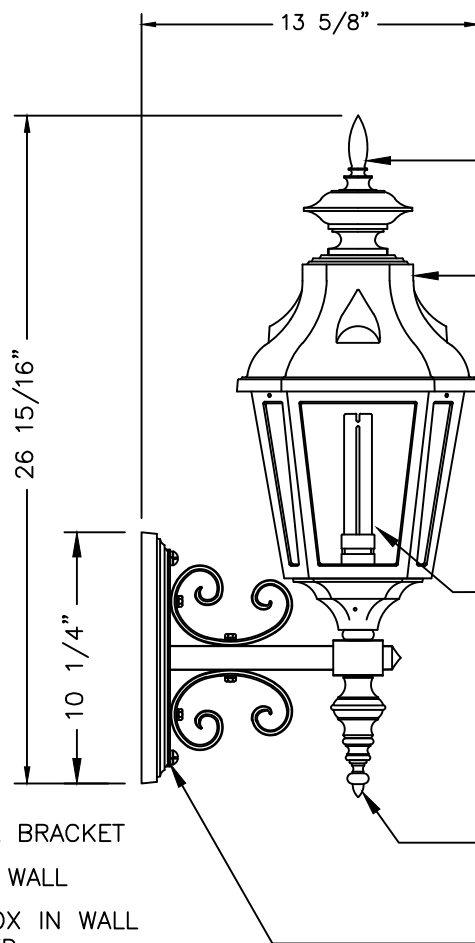
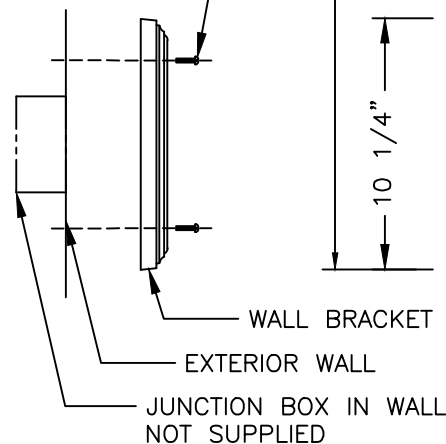


ALL ELECTRICAL COMPONENTS ARE U.L. OR E.T.L. LISTED IN USA AND CANADA.

FIXTURE WILL BE PREWIRED AND TESTED.



MOUNTING HARDWARE BY OTHERS



CAST ALUMINUM FINIAL

CAST ALUMINUM ROOF

(8) SIDED LENS AVAILABLE IN CLEAR SEEDED, CLEAR TEXTURED, CLEAR ACRYLIC, WHITE ACRYLIC OR BEVELED GLASS

FLUORESCENT SOCKET OR DECORATIVE FROSTED CHIMNEY WITH MEDIUM BASE SOCKET OR 3-LIGHT CLUSTER OR GLASS REFRACTOR

CAST ALUMINUM FONT

(2) 1/4-20 X 1 1/8" RHMS

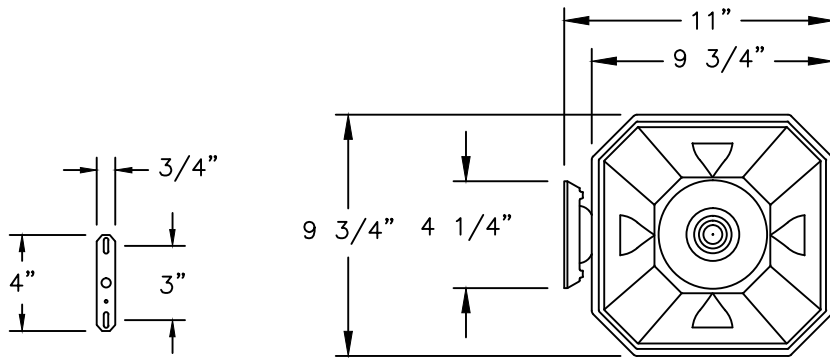


8879

3/16"=1'

DRAWN LMG  
DRAWN DATE OCT 13 2011  
DRAWING NUMBER

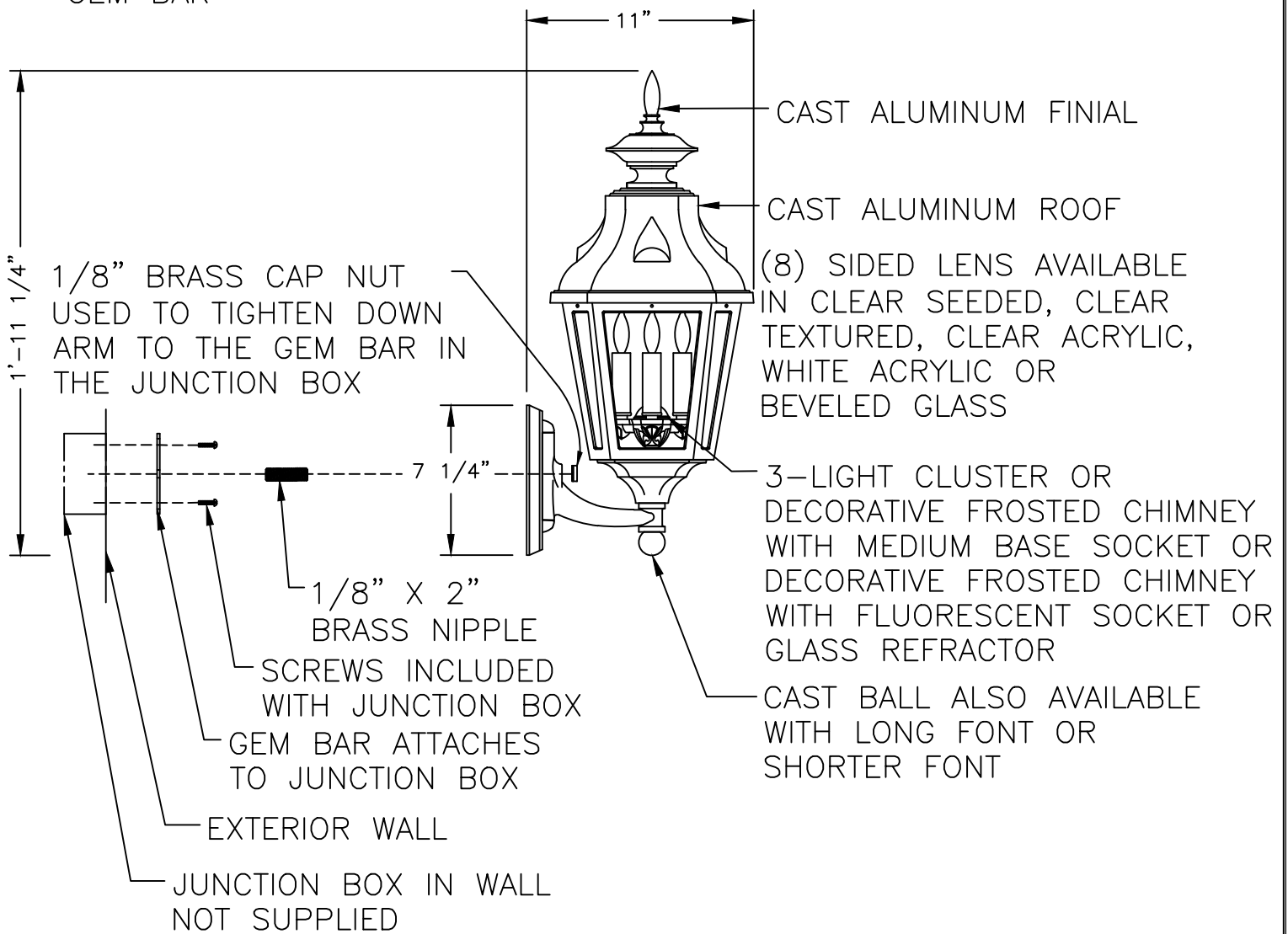
# 8814 CLASSIC RESIDENTIAL SERIES



GEM BAR

ALL ELECTRICAL COMPONENTS ARE U.L. OR E.T.L. LISTED IN USA AND CANADA.

FIXTURE WILL BE PREWIRED AND TESTED.

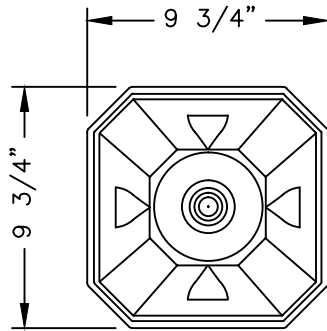


8814

3/16"=1'

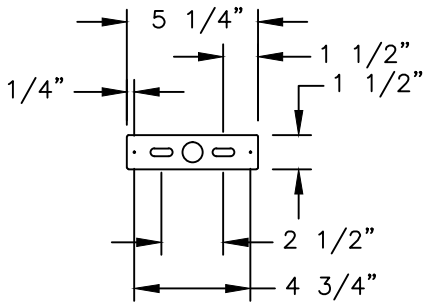
DRAWN LMG  
 DRAWN DATE OCT 10 2011  
 DRAWING NUMBER

# 8835 CLASSIC RESIDENTIAL SERIES

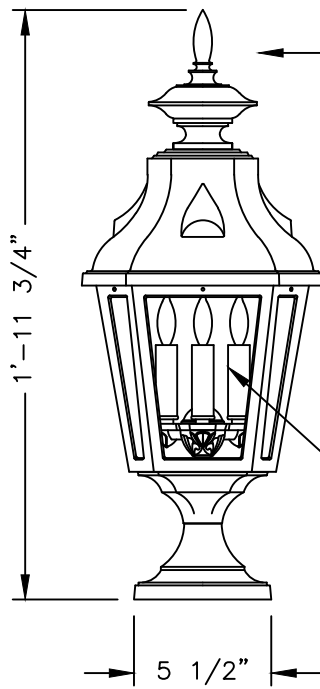


ALL ELECTRICAL COMPONENTS ARE U.L. OR E.T.L. LISTED IN USA AND CANADA.

FIXTURE WILL BE PREWIRED AND TESTED.



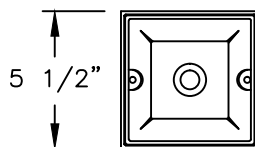
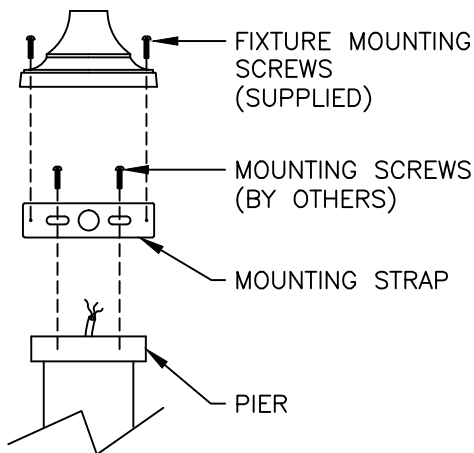
MOUNTING STRAP



CAST ALUMINUM FINIAL ALSO AVAILABLE WITH CUPOLA

(8) SIDED LENS AVAILABLE IN CLEAR SEEDED, CLEAR TEXTURED, CLEAR ACRYLIC, WHITE ACRYLIC OR BEVELED GLASS

3-LIGHT CLUSTER OR DECORATIVE FROSTED CHIMNEY WITH MEDIUM BASE SOCKET OR DECORATIVE FROSTED CHIMNEY WITH FLUORESCENT SOCKET OR GLASS REFRACTOR



PIER BASE SECURED WITH (2) 1/4-20 X 3/4" RHMS

**STERNBERG**  
SINCE 1923

8835

3/16"=1'

DRAWN LMG  
DRAWN DATE OCT 13 2011  
DRAWING NUMBER