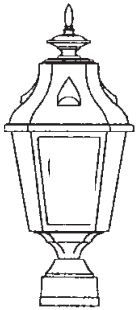


# 8700 CLASSIC RESIDENTIAL SERIES

# SPECIFICATIONS

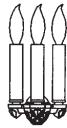
FIXTURES	SOCKET TYPE	BB BALLAST BOX
----------	-------------	----------------



**8730**



**MED**  
Single  
Medium  
Base Socket



**3L** Three Light  
Cluster  
Candelabra  
Socket  
Assembly



**PL**  
Compact  
Fluorescent

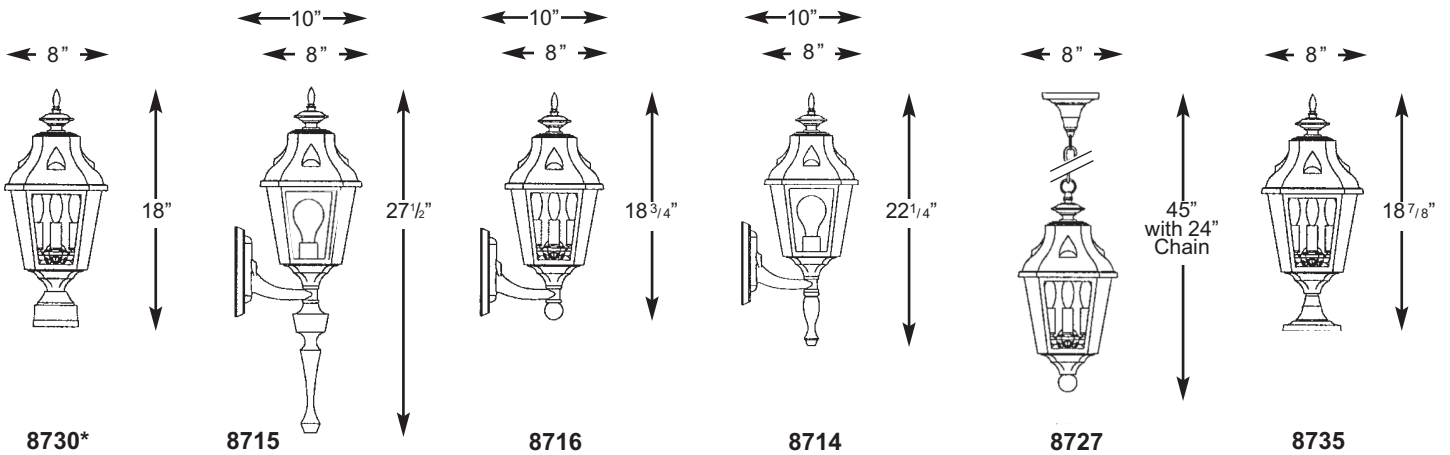
**879BB** - Medium  
Scale for up to 50 watt  
ballasts



**27BB** - Hanging or  
Pier for up to 70 watt  
ballasts



FIXTURES
----------



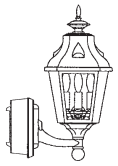
NOTE: 8700 Series requires ballast box  
Add 2' to 4" on extensions for ballast box.  
3 Lite cluster is 25 watt max lamp per socket.  
\*Remote ballast box required if HID or CF.

# BUILDING A PART NUMBER



## POST & ARM FIXTURES

ARM MOUNTED FIXTURE NO. OF ARMS	CENTER POST TOP FIXTURE (PT)	POST	POST CAP	LIGHT SOURCE BALLAST	OPTICS	OPTIONS	LENS	FINISH
2	8730/78PM	3412FP5	FCC	70 HPS120		HPS70/MED	CSA	BKT



## WALL FIXTURES

FIXTURE / WALL BRACKET	LIGHT SOURCE BALLAST	OPTICS	OPTIONS	LENS	FINISH
8716/879WBBB	70HPS120		HPS70/MED	CTA	BKT



**PIER FIXTURES**  
Uses same information boxes as wall fixture

8735/3L

FIXTURE / PIER BASE



## HANGING FIXTURES

FIXTURE / HANGING BRACKET	OVERALL DROP IN INCHES	LIGHT SOURCE BALLAST	OPTICS	OPTIONS	LENS	FINISH
8727/CH27BB	24 INCHES	70 HPS120		HPS70/MED	CSA	BKT

## PART NUMBER SELECTIONS

### FIXTURES<sup>1</sup>

- 8714
- 8715
- 8716
- 8727
- 8730
- 8735

### OPTICS

- MED
- 3L
- PL

### LENSES

- BG
- CSA
- CTA
- CA
- WA

### OPTIONS

- LAMPS  
Select from List
- BES - Brass Eagle Small
- BP - Brass Package

### LAMPS<sup>5</sup>

- HPS35/MED
- HPS50/MED
- HPS70/MED
- MHP50/MED
- MHP70/MED
- PLT26
- PLT32
- PLT42

### BALLASTS<sup>1,4</sup>

- 35HPS<sup>2</sup>
- 50HPS
- 70HPS
- 50MHP
- 70MHP
- 26PLT
- 32PLT
- 42PLT
- INCAND  
(100 watt max.)

### BB - BALLAST BOX

- 879BB - Medium Scale for up to 50 watt
- 27BB - Hanging or Pier for up to 70 watt ballasts

### STANDARD FINISHES\*

- BKT Black Textured
- WHT White Textured
- PGT Park Green Textured
- ABZT Architectural Medium Bronze Textured
- DBT Dark Bronze Textured

\*Smooth Finishes are available upon request

### CUSTOM FINISHES

- OI Old Iron
- RT Rust
- WBR Weathered Brown
- CD Cedar
- WBK Weathered Black
- TT Two Tone

### STERNBERG SELECT FINISHES

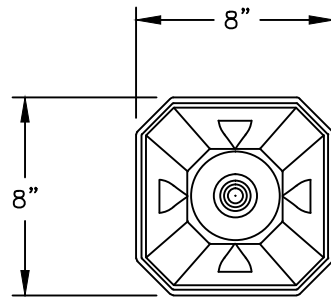
- VG Verde Green
- SI Swedish Iron
- OWGT Old World Gray Textured

### NOTES:

- 1 Pole mounted fixtures - requires ballast to be mounted in pole base.
- 1 Wall mounted fixtures - requires wall bracket arms with ballast box.
- 1 Pier mounted fixtures - require PB27BB if ballasted.
- 1 Hanging fixtures - require CH/SH27BB if ballasted.
- 2 35HPS is 120 volt only.
- 3 Medium base socket only when used to house lamp.
- 4 Medium base sockets standard with HID ballasts. 4-pin for PL
- 5 Metal halide systems are pulse start.

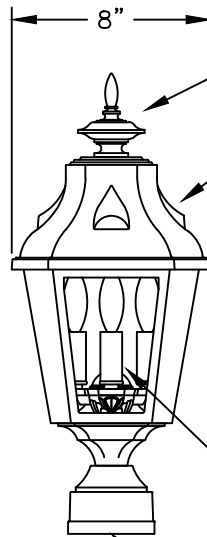


# 8730 CLASSIC RESIDENTIAL SERIES



ALL ELECTRICAL COMPONENTS ARE U.L. OR E.T.L. LISTED IN USA AND CANADA.

FIXTURE WILL BE PREWIRED AND TESTED.



CAST ALUMINUM FINIAL

CAST ALUMINUM ROOF

(4) SIDED LENS AVAILABLE IN CLEAR SEEDED, CLEAR TEXTURED, CLEAR ACRYLIC, WHITE ACRYLIC OR BEVELED GLASS

3 LIGHT CLUSTER ALSO AVAILABLE WITH MEDIUM BASE SOCKET, OR COMPACT FLUORESCENT

POST TOP STYLE AVAILABLE FOR WALL BRACKET, PIER BASE AND HANGING.

SLIPS 3" OD X 1 1/2" TALL TENON



SECURED WITH SET SCREWS

**STERNBERG**

SINCE 1923

8730

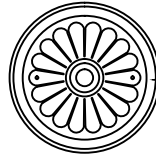
3/16"=1'

DRAWN LMG  
DRAWN DATE OCT 11 2011  
DRAWING NUMBER

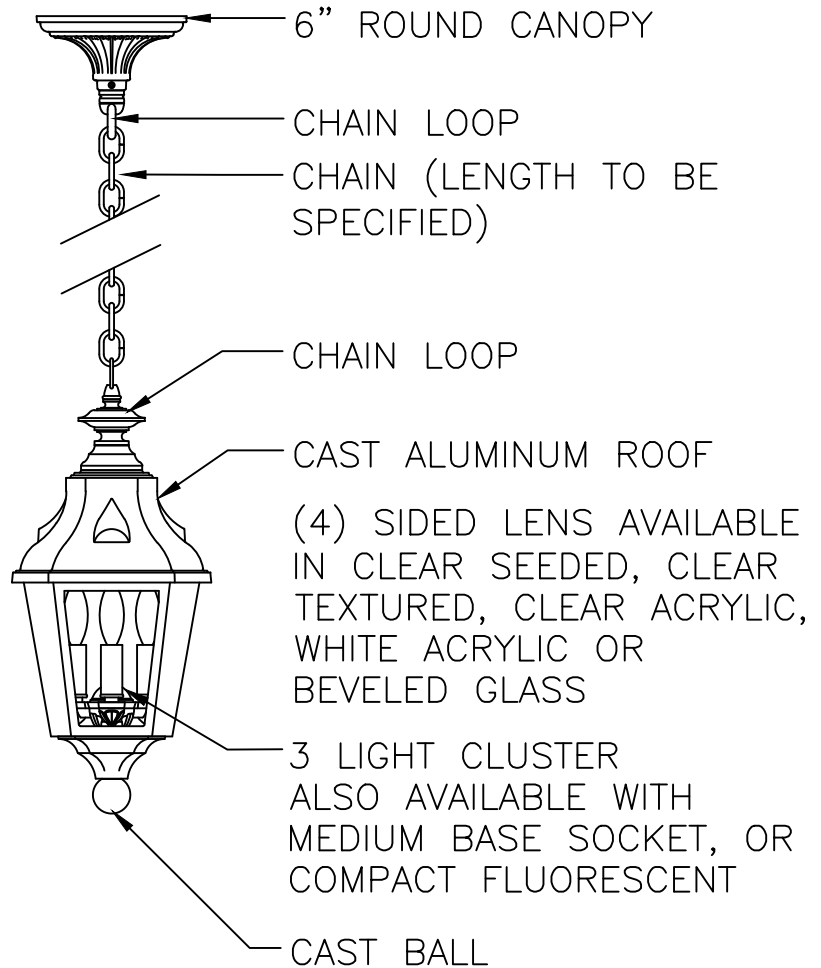
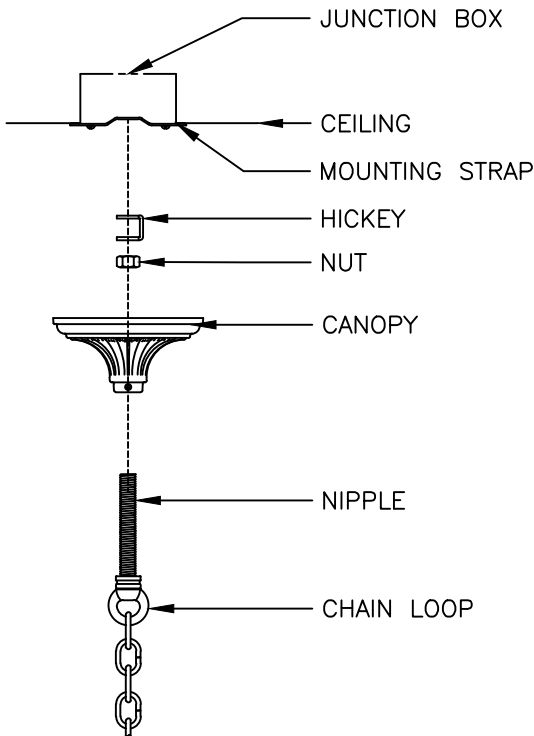
# 8727 CLASSIC RESIDENTIAL SERIES

ALL ELECTRICAL COMPONENTS  
ARE U.L. OR E.T.L. LISTED IN  
USA AND CANADA.

FIXTURE WILL BE PREWIRED  
AND TESTED.



CANOPY SECURED WITH  
(2) 8-32 CAPNUTS



**STERNBERG**  
SINCE 1923

8727

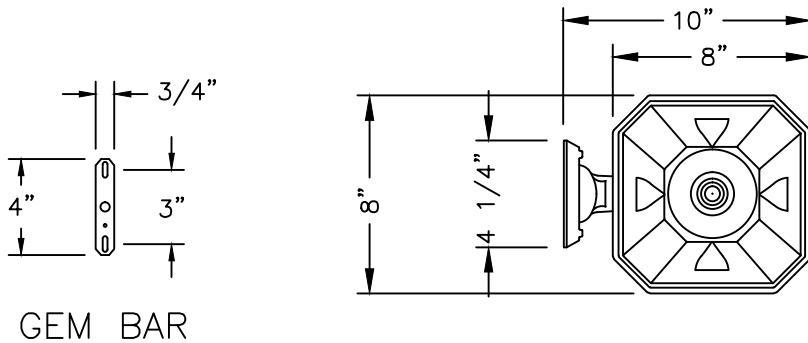
3/16"=1'

DRAWN LMG  
DRAWN DATE OCT 13 2011  
DRAWING NUMBER

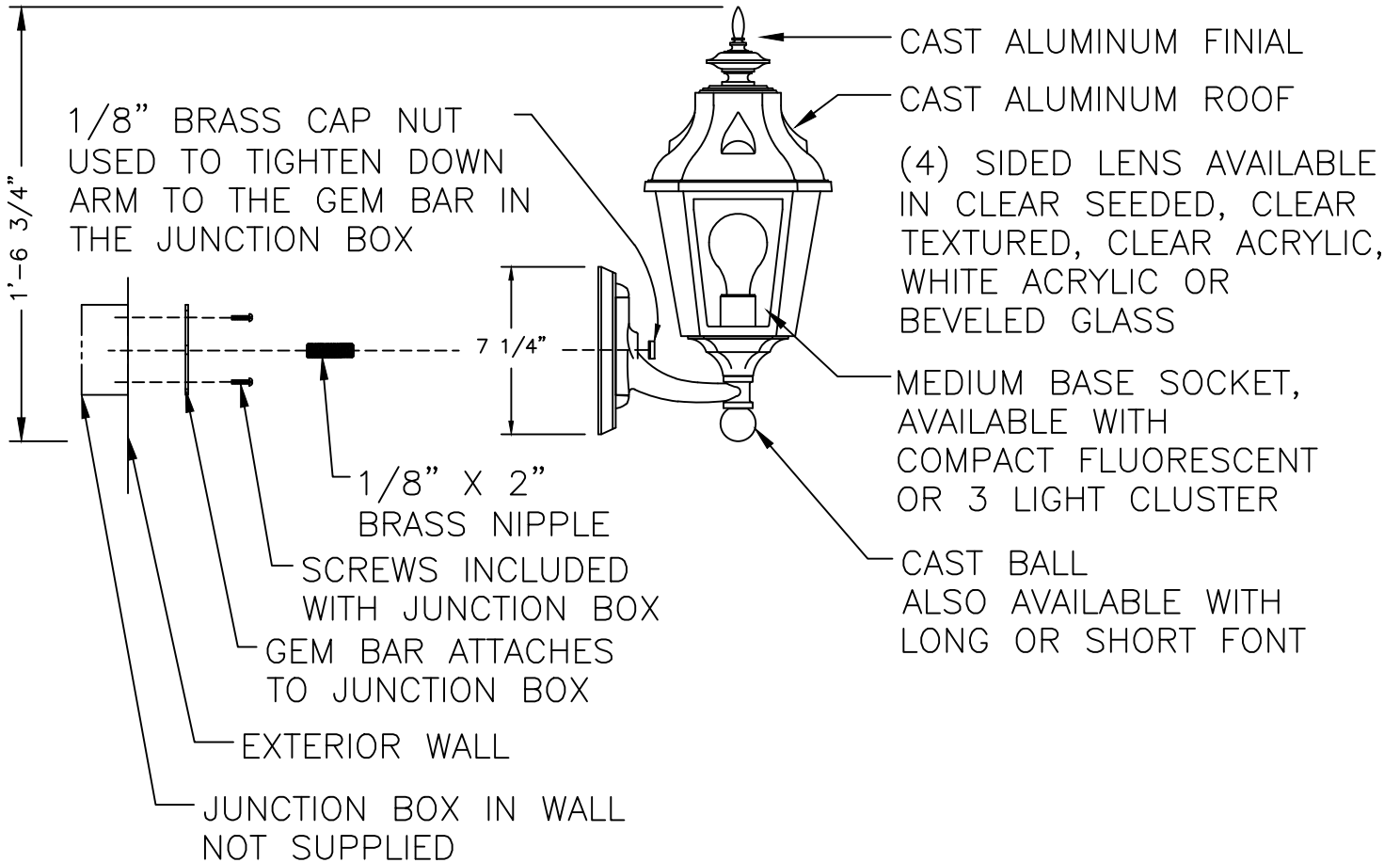
# 8716 CLASSIC RESIDENTIAL SERIES

ALL ELECTRICAL COMPONENTS  
ARE U.L. OR E.T.L. LISTED IN  
USA AND CANADA.

FIXTURE WILL BE PREWIRED  
AND TESTED.



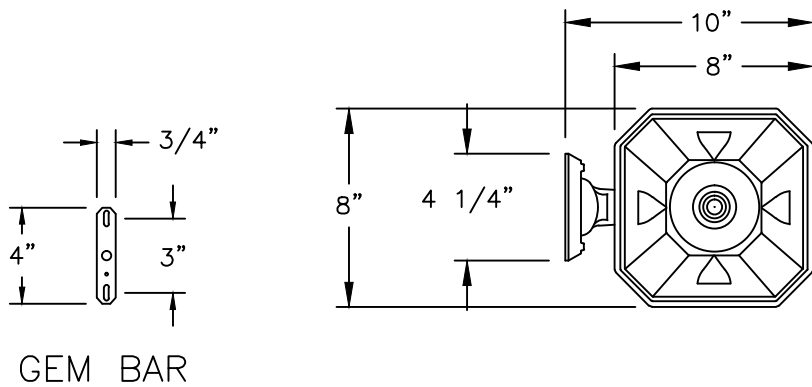
GEM BAR



8716

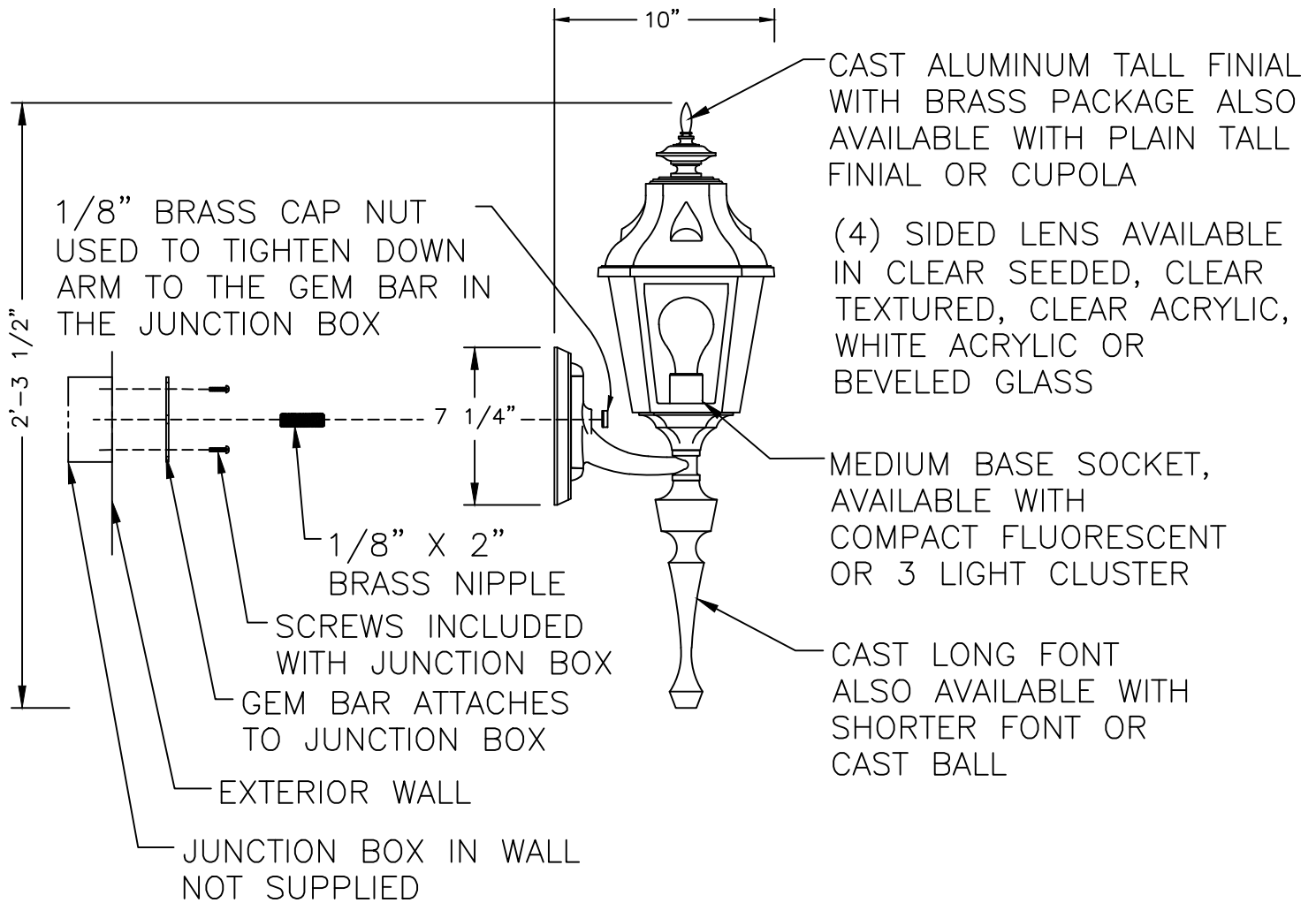
3/16"=1'	DRAWN LMG
	DRAWN DATE OCT 11 2011
DRAWING NUMBER	

# 8715 CLASSIC RESIDENTIAL SERIES



ALL ELECTRICAL COMPONENTS ARE U.L. OR E.T.L. LISTED IN USA AND CANADA.

FIXTURE WILL BE PREWIRED AND TESTED.



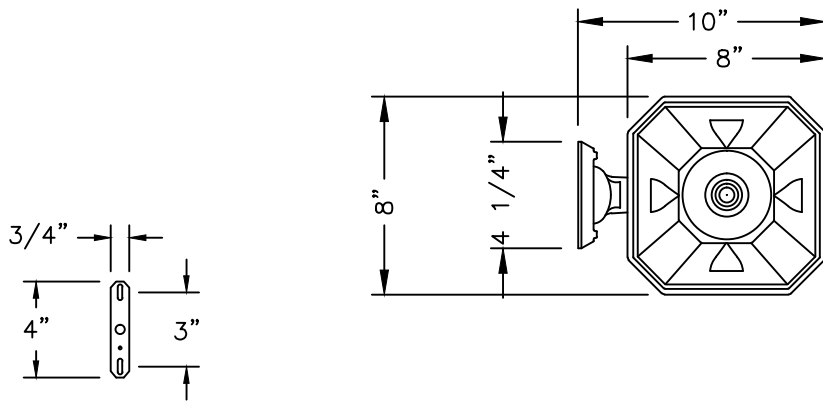
8715

3/16"=1'	DRAWN LMG
	DRAWN DATE OCT 11 2011
DRAWING NUMBER	

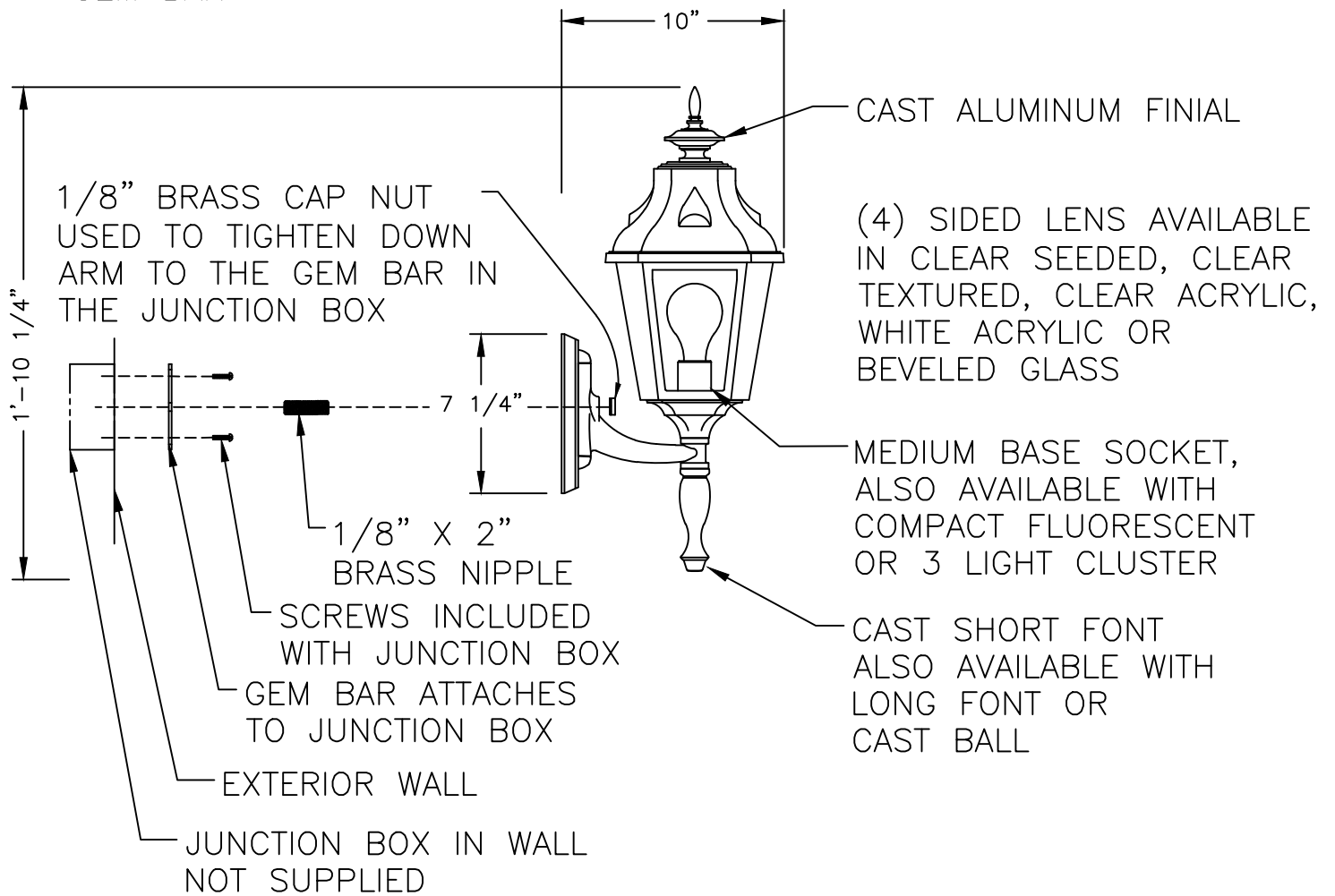
# 8714 CLASSIC RESIDENTIAL SERIES

ALL ELECTRICAL COMPONENTS ARE U.L. OR E.T.L. LISTED IN USA AND CANADA.

FIXTURE WILL BE PREWIRED AND TESTED. MOUNTING HARDWARE IS SUPPLIED.



GEM BAR



8714

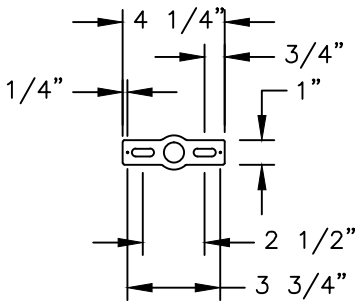
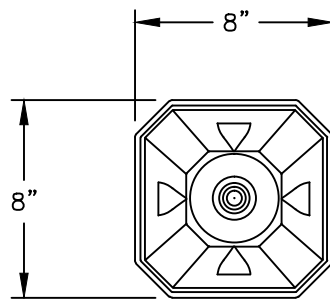
3/16"=1'

DRAWN LMG  
 DRAWN DATE OCT 13 2011  
 DRAWING NUMBER

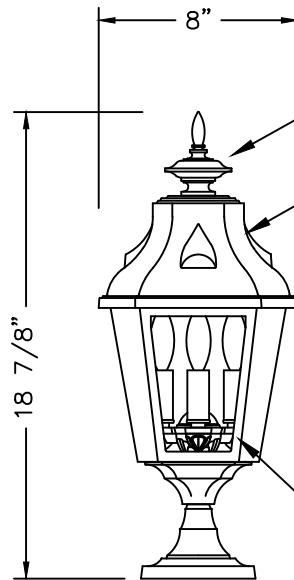
# 8735 CLASSIC RESIDENTIAL SERIES

ALL ELECTRICAL COMPONENTS ARE U.L. OR E.T.L. LISTED IN USA AND CANADA.

FIXTURE WILL BE PREWIRED AND TESTED.



MOUNTING STRAP

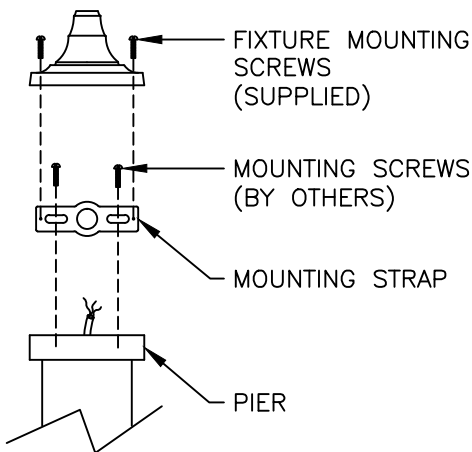


CAST ALUMINUM FINIAL

CAST ALUMINUM ROOF

(6) SIDED LENS AVAILABLE IN CLEAR SEEDED, CLEAR TEXTURED, CLEAR ACRYLIC, WHITE ACRYLIC OR BEVELED GLASS

3 LIGHT CLUSTER ALSO AVAILABLE WITH MEDIUM BASE SOCKET, OR COMPACT FLUORESCENT

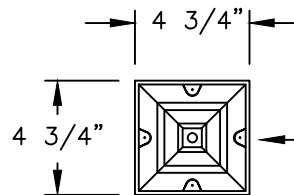


FIXTURE MOUNTING SCREWS (SUPPLIED)

MOUNTING SCREWS (BY OTHERS)

MOUNTING STRAP

PIER



PIER BASE SECURED WITH (2) 10-24 X 5/8" RHMS



8735

3/16"=1'	DRAWN LMG
	DRAWN DATE OCT 13 2011
DRAWING NUMBER	