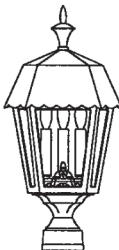

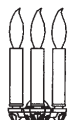






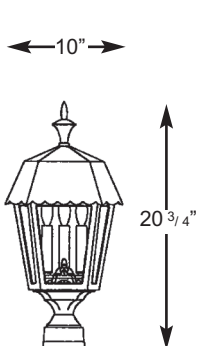
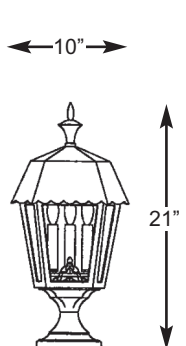
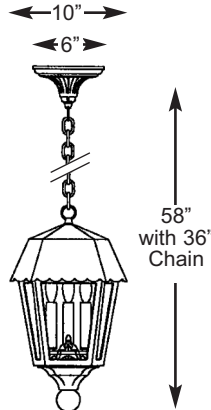
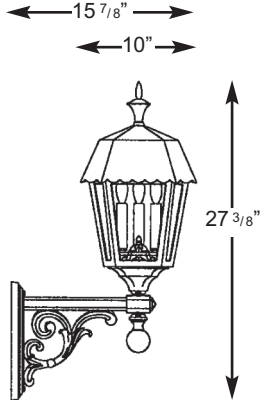
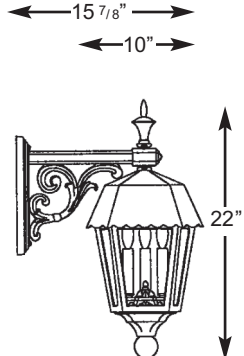


8400/8300/8200/8100 MANSARD RESI SERIES SPECIFICATIONS

FIXTURES	SOCKET TYPE	OPTICAL SYSTEMS	BB BALLAST BOX			
 8403	 MED Single Medium Base Socket	 3L Three Light Cluster Candelabra Socket Assembly	 PL Compact Fluorescent	 FHC Frosted Hurricane Chimney	 RE3 RE5 Refractor Type 3 and Type 5	78BB - Large Scale for up to 150 watt ballasts  28BB - Hanging or Pier for up to 150 watt ballasts  27BB - Hanging or Pier for up to 100 watt ballasts 

FIXTURES				
 8403*	 8326	 8202	 8112	 8114

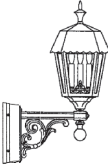
NOTE:
8400/8300/8200/8100 Series requires ballast box.
Add 2' to 4" on extensions for ballast box.
3 Lite cluster is 25 watt max lamp per socket.
*Remote ballast box required if HID or CF.

BUILDING A PART NUMBER



POST & ARM FIXTURES

ARM MOUNTED FIXTURE NO.	CENTER POST TOP FIXTURE (PT)	POST	POST CAP	LIGHT SOURCE BALLAST	OPTICS	OPTIONS	LENS	FINISH
OF ARMS	FIXTURE / POSTARM	FIXTURE	(See Post Section)	WATTS / TYPE / VOLTS				
2	8403/78PM		3412FP5	FCC	100HPS120	RE5	HPS100/MED	CSA / BKT



WALL FIXTURES

FIXTURE / WALL BRACKET	LIGHT SOURCE BALLAST	OPTICS	OPTIONS	LENS	FINISH	PIER FIXTURES
WATTS / TYPE / VOLTS						Uses same information boxes as wall fixture
8112/80WBBB	100HPS120	RE5	HPS100/MED	CTA	BKT	8326/3L
						FIXTURE / PIER BASE



HANGING FIXTURES

FIXTURE / HANGING BRACKET	OVERALL DROP IN INCHES	LIGHT SOURCE BALLAST	OPTICS	OPTIONS	LENS	FINISH
WATTS / TYPE / VOLTS						
8202/CH27BB	36 INCHES	100 HPS120	RE5	HPS100/MED	CSA	BKT

PART NUMBER SELECTIONS

FIXTURES¹

- 8403
- 8326
- 8202
- 8114
- 8112

OPTICS

- RE3
- RE5
- FHC
- MED
- 3L
- PL

LENSES

- BG
- CSA
- CTA
- CA
- WA

OPTIONS

- LAMPS
Select from List
- BE - Brass Eagle
- BES - Brass Eagle Small
- BP - Brass Package

LAMPS⁵

- HPS35/MED
- HPS50/MED
- HPS70/MED
- HPS100/MED
- HPS150/MED
- MHP50/MED
- MHP70/MED
- MHP100/MED
- MHP150/MED
- PLT26
- PLT32
- PLT42
- PLT57

BALLASTS^{1,4}

- 35HPS²
- 50HPS
- 70HPS
- 100HP
- 150HPS
- 50MHP
- 70MHP
- 100MHP
- 150MHP
- 26PLT
- 32PLT
- 42PLT
- 57PLT
- INCAND
(150 watt max.)

BB - BALLAST BOX

- 78BB - Large Scale for up to 150 watt ballasts
- 28BB - Hanging or Pier for up to 150 watt ballasts
- 27BB - Hanging or Pier for up to 100 watt ballasts

STANDARD FINISHES*

- BKT Black Textured
- WHT White Textured
- PGT Park Green Textured
- ABZT Architectural Medium Bronze Textured
- DBT Dark Bronze Textured

*Smooth Finishes are available upon request

CUSTOM FINISHES

- OI Old Iron
- RT Rust
- WBR Weathered Brown
- CD Cedar
- WBK Weathered Black
- TT Two Tone

STERNBERG SELECT FINISHES

- VG Verde Green
- SI Swedish Iron
- OWGT Old World Gray Textured

NOTES:

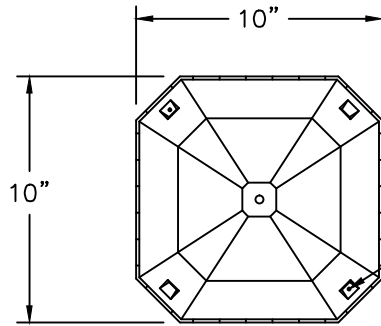
- ¹ Pole mounted fixtures - requires ballast to be mounted in pole base.
- ¹ Wall mounted fixtures - requires wall bracket arms with ballast box.
- ¹ Pier mounted fixtures - require PB28BB or PB27BB if ballasted.
- ¹ Hanging fixtures - require CH/SH28BB or CH/SH27BB if ballasted.
- ² 35HPS is 120 volt only.
- ³ Medium base socket only when used to house lamp.
- ⁴ Medium base sockets standard with HID ballasts. 4-pin for PL.
- ⁵ Metal halide systems are pulse start.



8403 MANSARD RESIDENTIAL SERIES

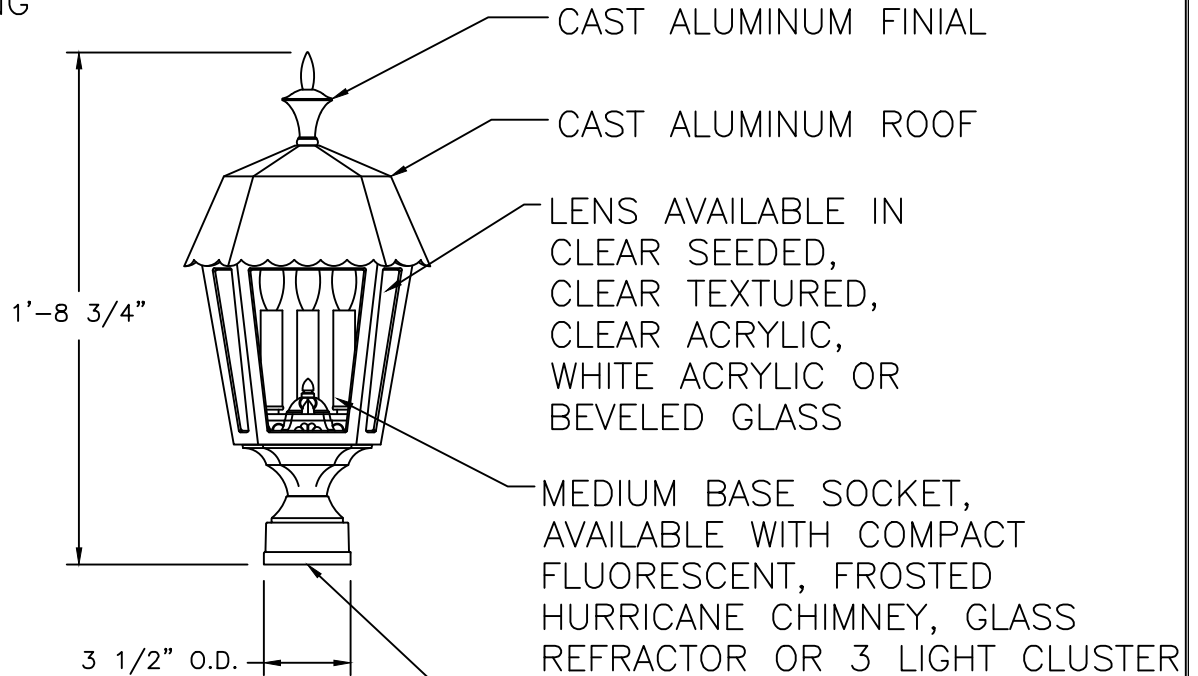
ALL ELECTRICAL COMPONENTS ARE U.L. OR E.T.L. LISTED IN USA AND CANADA.

FIXTURE WILL BE PREWIRED AND TESTED. MOUNTING HARDWARE IS SUPPLIED.



MEDIUM BASE SOCKET, ALSO AVAILABLE WITH COMPACT FLUORESCENT OR 3 LIGHT CLUSTER

ROOF SECURED WITH (2) 10-24 X 1/2" KNURLED THUMB SCREWS



CAST ALUMINUM FINIAL

CAST ALUMINUM ROOF

LENS AVAILABLE IN CLEAR SEEDED, CLEAR TEXTURED, CLEAR ACRYLIC, WHITE ACRYLIC OR BEVELED GLASS

MEDIUM BASE SOCKET, AVAILABLE WITH COMPACT FLUORESCENT, FROSTED HURRICANE CHIMNEY, GLASS REFRACTOR OR 3 LIGHT CLUSTER

POST TOP STYLE AVAILABLE IN WALL BRACKET, PIER BASE AND HANGING.

SECURED WITH SET SCREWS

SLIPS 3" OD X 1 1/2" TALL TENON

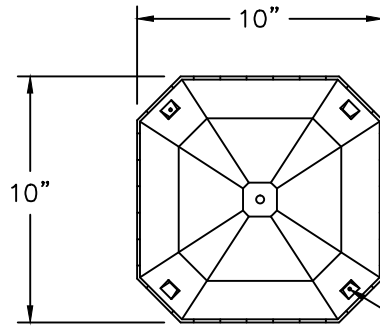


STERNBERG
SINCE 1923

8403

3/16"=1'	DRAWN LMG DRAWN DATE MAY 3 2011
	DRAWING NUMBER

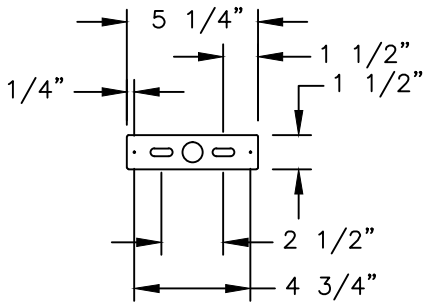
8326 MANSARD RESIDENTIAL SERIES



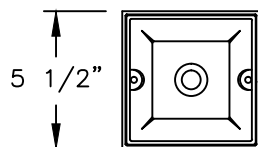
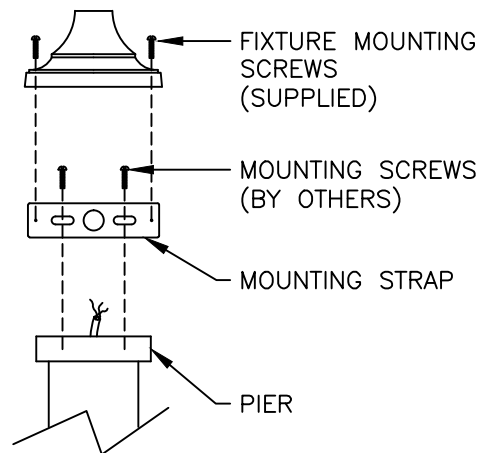
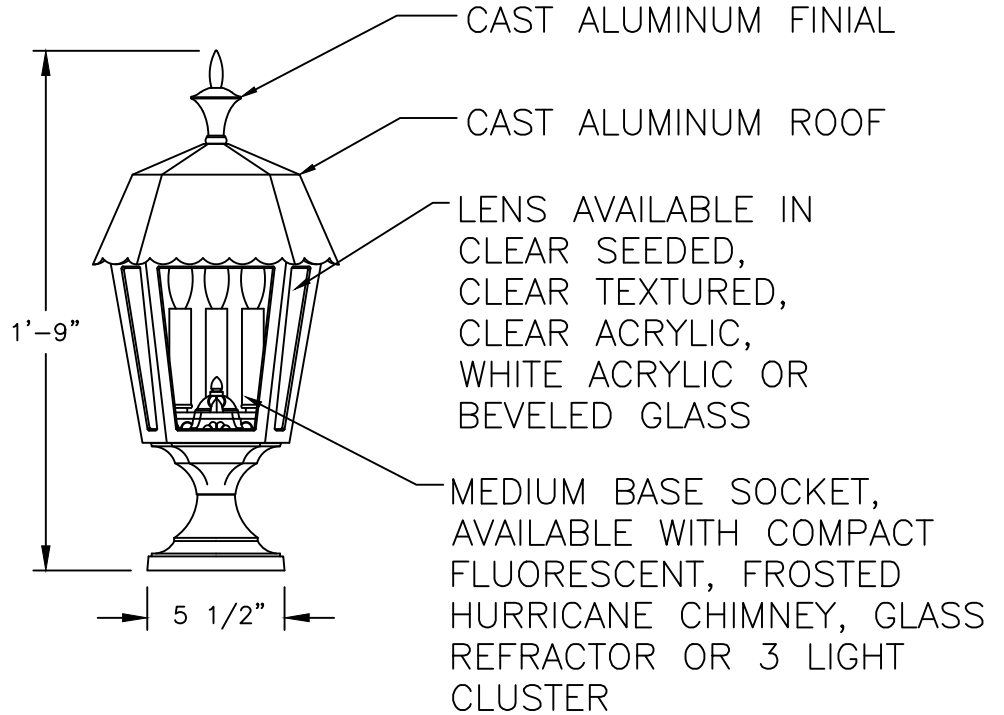
ALL ELECTRICAL COMPONENTS ARE U.L. OR E.T.L. LISTED IN USA AND CANADA.

FIXTURE WILL BE PREWIRED AND TESTED.

ROOF SECURED WITH (2) 10-24 X 1/2" KNURLED THUMB SCREWS



MOUNTING STRAP



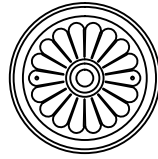
PIER BASE SECURED WITH (2) 1/4-20 X 3/4" RHMS

STERNBERG
SINCE 1923

8326

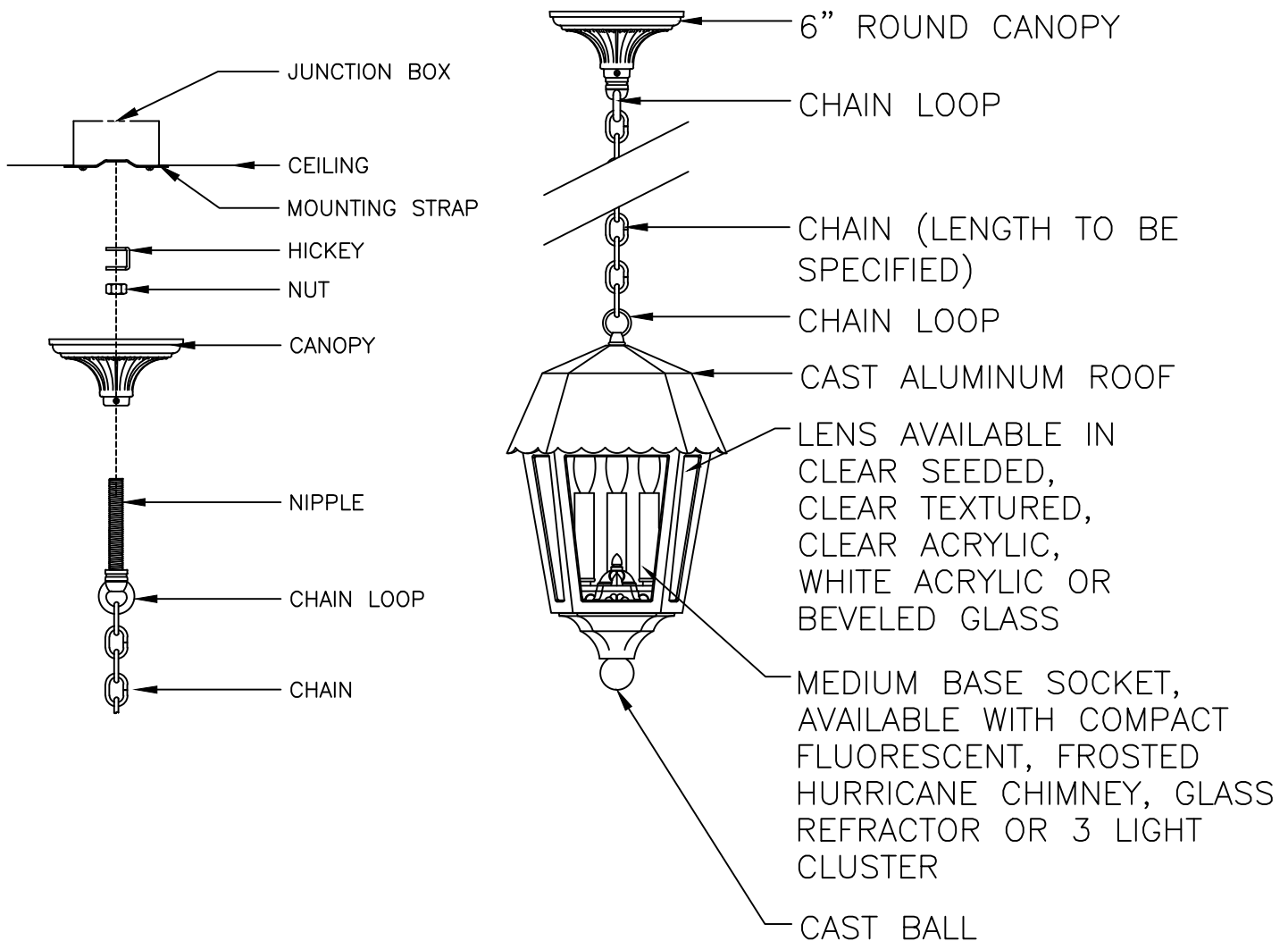
3/16"=1'
DRAWN LMG
DRAWN DATE MAY 5 2011
DRAWING NUMBER

8202 MANSARD RESIDENTIAL SERIES



ALL ELECTRICAL COMPONENTS ARE U.L. OR E.T.L. LISTED IN USA AND CANADA.

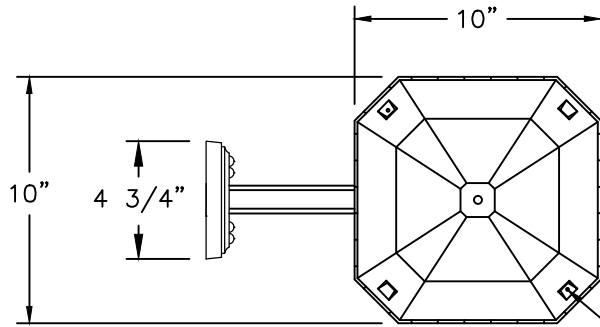
FIXTURE WILL BE PREWIRED AND TESTED.



8202

3/16"=1'	DRAWN LMG
	DRAWN DATE MAR 22 2011
DRAWING NUMBER	

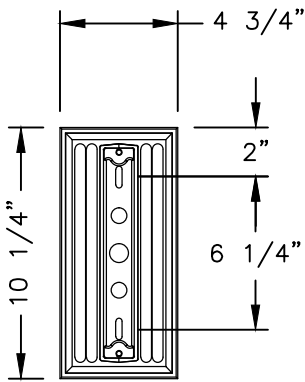
8112 MANSARD RESIDENTIAL SERIES



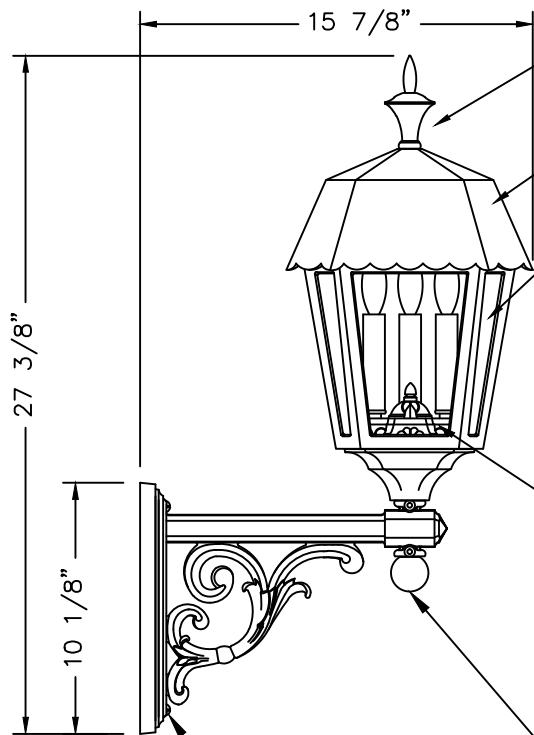
ALL ELECTRICAL COMPONENTS ARE U.L. OR E.T.L. LISTED IN USA AND CANADA.

FIXTURE WILL BE PREWIRED AND TESTED.

ROOF SECURED WITH (2) 10-24 X 1/2" KNURLED THUMB SCREWS



MOUNTING HARDWARE BY OTHERS



CAST ALUMINUM FINIAL

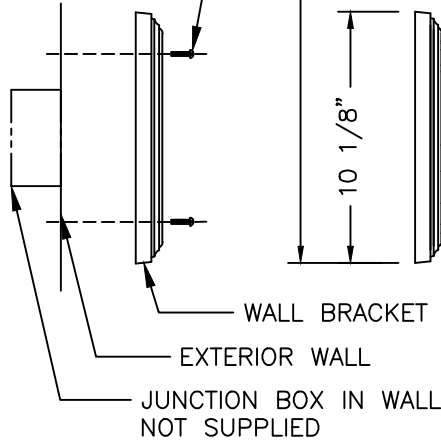
CAST ALUMINUM ROOF

LENS AVAILABLE IN CLEAR SEEDED, CLEAR TEXTURED, CLEAR ACRYLIC, WHITE ACRYLIC OR BEVELED GLASS

MEDIUM BASE SOCKET, AVAILABLE WITH COMPACT FLUORESCENT, FROSTED HURRICANE CHIMNEY, GLASS REFRACTOR OR 3 LIGHT CLUSTER

CAST BALL

(2) 1/4-20 X 1 1/8" RHMS



WALL BRACKET

EXTERIOR WALL

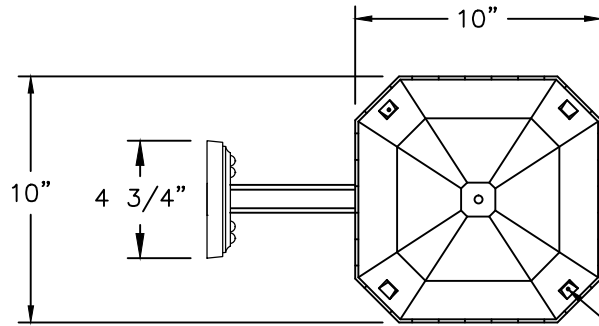
JUNCTION BOX IN WALL NOT SUPPLIED



8112

3/16"=1'	DRAWN	LMG
	DRAWN DATE	MAY 3 2011
		DRAWING NUMBER

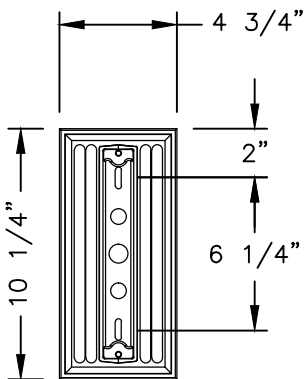
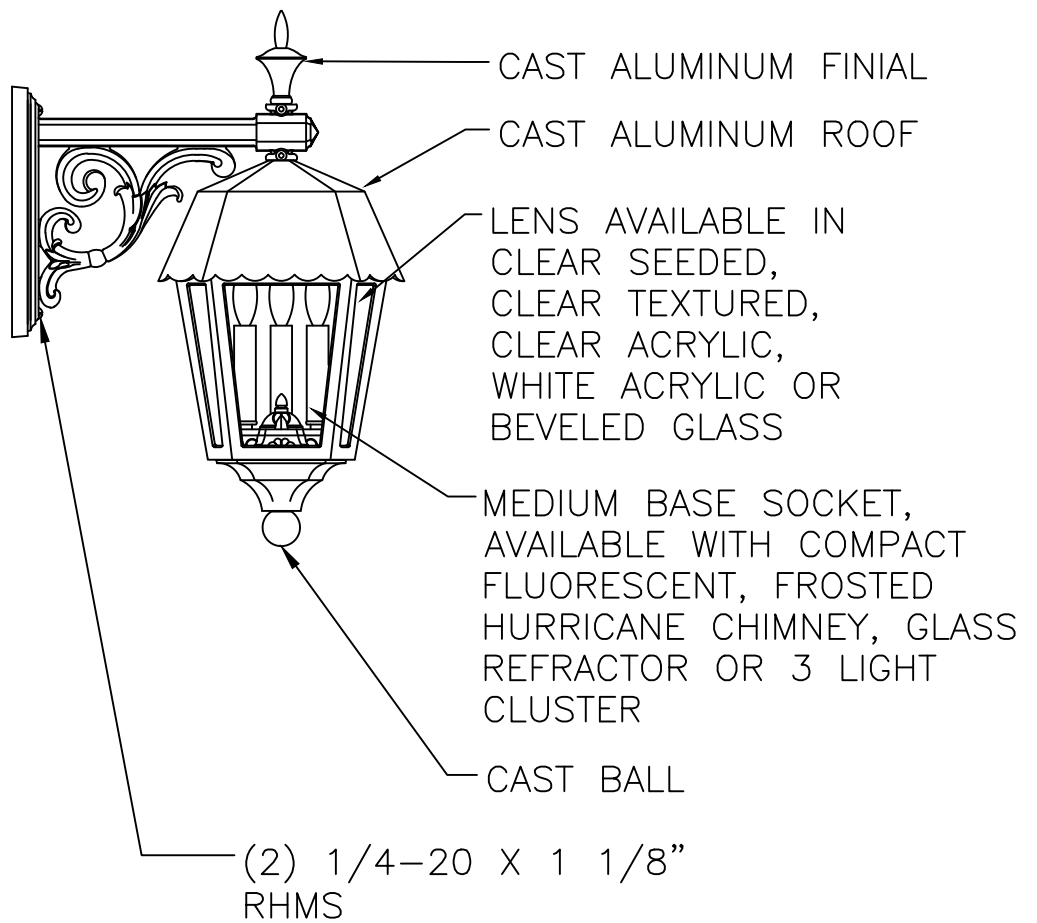
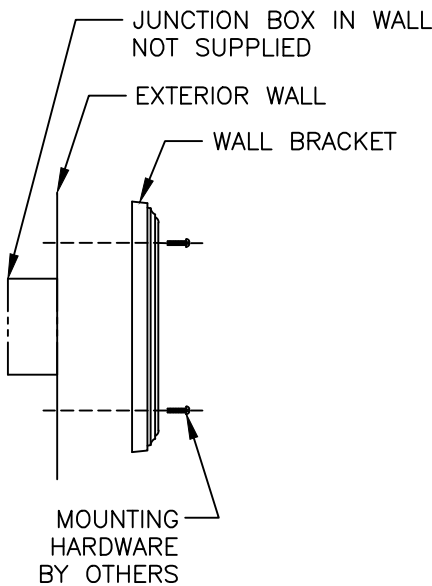
8114 MANSARD RESIDENTIAL SERIES



ALL ELECTRICAL COMPONENTS ARE U.L. OR E.T.L. LISTED IN USA AND CANADA.

FIXTURE WILL BE PREWIRED AND TESTED.

ROOF SECURED WITH (2) 10-24 X 1/2" KNURLED THUMB SCREWS



STERNBERG
SINCE 1923

8114

3/16"=1'	DRAWN LMG
	DRAWN DATE MAY 3 2011
DRAWING NUMBER	