

803-340B HARBORTOWN LIGHTED BOLLARD SPECIFICATIONS

GENERAL

The model 803-340B decorative Harbortown lighted bollard is a small scale, maritime theme design. It features a multi-tube cylindrical body, decorative aluminum cage, dome roof and a fresnel clear lens. The Model shall be Sternberg Lighting #803-340B lighted bollard.

CONSTRUCTION

The bollard housing shaft shall be 3" diameter extruded round tubing having a wall thickness of 1/8" and made of ASTM 6063 extruded aluminum and tempered to a T5 condition; the center shaft shall be surrounded with three 1" diameter extruded round tubes having a wall thickness of 1/8" spaced 120° and supported by two cast aluminum shaft braces. The bollard housing shall be heavy wall cast aluminum, 356 alloy for high tensile strength. The assembly comes standard with a 1/4" thick clear glass fresnel lens with an integrally mounted lamp diffuser providing a Type V distribution. Optional sand blasted glass lens is available. The anchor foot base shall be 8" diameter and made of heavy wall, 319 alloy cast aluminum and shall be welded to bollard housing shaft. It shall have a 3/4" thick floor cast as an integral part of the base. The overall height of the bollard shall be 60 3/8".

ELECTRICAL

H.I.D. ballasts shall be high power factor with lamp starting down to -30 degrees C. Medium base porcelain sockets are 4KV rated. The ballast/ socket assembly shall be pre-wired when ballast is located in the fixture.

All compact fluorescent (PL) ballasts shall be instant start electronic with a starting temperature of down to 0 degrees F. They shall have a 4-pin socket to accept quad or triple tube lamps. Ballasts shall be DOE EISA compliant.

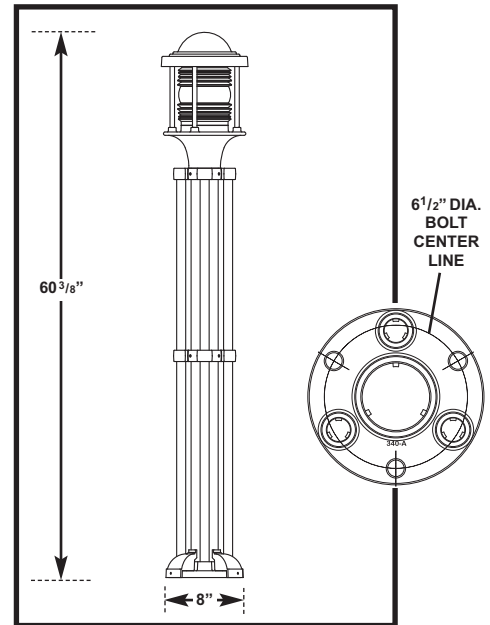
FINISH

Prior to coating, each assembly is chemically cleaned and etched in a 5-stage washing system which includes alkaline cleaning, rinsing, phosphoric etching, reverse osmosis water rinsing, and non-chrome sealing to ensure corrosion resistance and excellent adhesion for the finish coating. The finish coating shall be electrostatically applied semi-gloss, super durable polyester powder baked at 400 degrees for a durable and superior, color retentive finish. Our optional antique Verde Green finish and Swedish Iron finish are hand brushed using a 3-step process. The total assembly is wrapped in shockproof wrapping or fully enclosed in corrugated cartons.

INSTALLATION

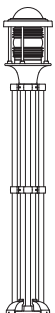
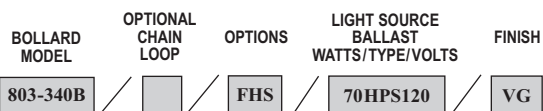
Three, hot-dipped galvanized "L" type anchor bolts shall be provided with the post for non-quick release bollard anchorage. Bollard will be provided with a grounding stud mounted on the base floor.

WARRANTY Five-year limited warranty. See warranty literature for details.



See installation template for exact door position.

BUILDING A PART NUMBER



MODELS*

- 803-340B

* NOTE: For custom heights, designate height after bollard model. Example: 803-340B-60"

** TO ORDER CHAIN: Specify total length of chain required for project.

*** Remote Ballast Only

MHP- Metal halide systems are pulse start.

PART NUMBER SELECTIONS

BALLASTS

- 35HPS
- 50HPS
- 70HPS
- 100HPS
- 50MHP
- 70MH P***
- 100MH P***
- 26PLT
- 32PLT
- 42PLT
- INCAND

VOLTAGES

- 120
- 208
- 240
- 277
- 480
- MULTI (120-277)

LAMPS

- HPS35/MED
- HPS50/MED
- HPS70/MED
- HPS100/MED
- MHP50/MED
- MHP70/MED
- MHP100/MED
- PLT26
- PLT32
- PLT42

OPTIONAL CHAIN LOOP**

- CL1 Chain Loop
- CL2 Chain Loops 180°

STANDARD FINISHES*

- BKT Black Textured
- WHT White Textured
- PGT Park Green Textured
- ABZT Architectural Medium Bronze Textured
- DBT Dark Bronze Textured

*Smooth Finishes are available upon request

CUSTOM FINISHES

- OI Old Iron
- RT Rust
- WBR Weathered Brown

OPTIONS

- FHS Single Fuse and Holder-120,277 Volt
- FHD Dual Fuse and Holder-208,240,480 Volt
- GFI Ground Fault Interrupter Duplex Outlet¹
- LAMPS Select from List

¹GFI not available with QR option

- CD Cedar
- WBK Weathered Black
- TT Two Tone

STERNBERG SELECT FINISHES

- VG Verde Green
- SI Swedish Iron
- OWGT Old World Gray Textured

806-346B HARBORTOWN LIGHTED BOLLARD SPECIFICATIONS

GENERAL

The model 806-346B decorative Harbortown lighted bollard is a small scale, maritime theme design. It features a cylindrical body, decorative aluminum cage, dome roof and a fresnel clear lens. The Model shall be Sternberg Lighting #806-346B lighted bollard.

CONSTRUCTION

The bollard housing shaft shall be 6" diameter extruded round tubing having a wall thickness of 1/4" and made of ASTM 6061 extruded aluminum and tempered to a T6 condition. The bollard housing shall be heavy wall cast aluminum, 356 alloy for high tensile strength. The assembly comes standard with a 1/4" thick clear glass fresnel lens with an integrally mounted lamp diffuser providing a Type V distribution. Optional sand blasted glass lens is available. The anchor foot base shall be 6" diameter and made of heavy wall, 319 alloy cast aluminum and shall be vertically fastened to bollard housing shaft. It shall have a 5/8" thick floor cast as an integral part of the base. The overall height of the bollard shall be 59 3/4".

ELECTRICAL

H.I.D. ballasts shall be high power factor with lamp starting down to -30 degrees C. Medium base porcelain sockets are 4KV rated. The ballast/socket assembly shall be pre-wired when ballast is located in the fixture. All compact fluorescent (PL) ballasts shall be instant start electronic with a starting temperature of down to 0 degrees F. They shall have a 4-pin socket to accept quad or triple tube lamps. Ballasts shall be DOE EISA compliant.

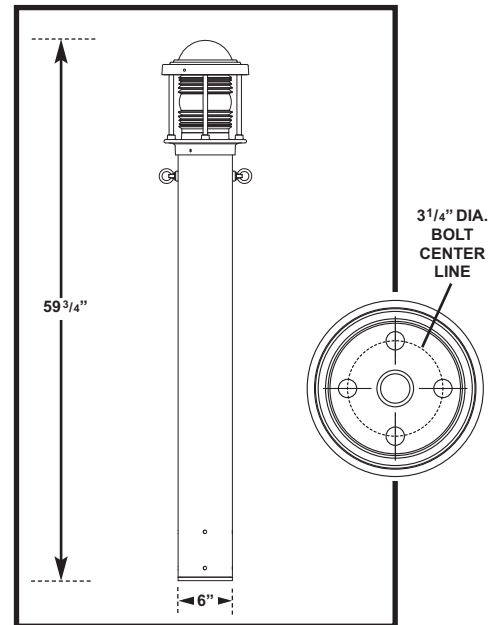
FINISH

Prior to coating, each assembly is chemically cleaned and etched in a 5-stage washing system which includes alkaline cleaning, rinsing, phosphoric etching, reverse osmosis water rinsing, and non-chrome sealing to ensure corrosion resistance and excellent adhesion for the finish coating. The finish coating shall be electrostatically applied semi-gloss, super durable polyester powder baked at 400 degrees for a durable and superior, color retentive finish. Our optional antique Verde Green finish and Swedish Iron finish are hand brushed using a 3-step process. The total assembly is wrapped in shockproof wrapping or fully enclosed in corrugated cartons.

INSTALLATION

Four, hot-dipped galvanized "L" type anchor bolts shall be provided with the post for non-quick release bollard anchorage. Quick release anchorage requires no anchor bolts. Bollard will be provided with a grounding stud mounted on the base floor.


WARRANTY Five-year limited warranty. See warranty literature for details.



See installation template for exact door position.

BUILDING A PART NUMBER PART NUMBER SELECTIONS

BOLLARD MODEL	OPTIONAL CHAIN LOOP	OPTIONS	LIGHT SOURCE BALLAST WATTS/TYPE/VOLTS	FINISH
806-346B		FHS	70HPS120	VG



MODELS*

- 806-346B

* NOTE: For custom heights, designate height after bollard model. Example: 806-346B-60"

** TO ORDER CHAIN: Specify total length of chain required for project.

MHP- Metal halide systems are pulse start.

- | | | | |
|---|---|--|---|
| <p>BALLASTS</p> <ul style="list-style-type: none"> • 35HPS • 50HPS • 70HPS • 100HPS • 50MHP • 70MHP • 100MHP • 26PLT • 32PLT • 42PLT • INCAND <p>VOLTAGES</p> <ul style="list-style-type: none"> • 120 • 208 • 240 • 277 • 480 • MULTI (120-277) | <p>LAMPS</p> <ul style="list-style-type: none"> • HPS35/MED • HPS50/MED • HPS70/MED • HPS100/MED • MHP50/MED • MHP70/MED • MHP100/MED • PLT26 • PLT32 • PLT42 <p>OPTIONAL CHAIN LOOP**</p> <ul style="list-style-type: none"> • CL1 Chain Loop • CL2 Chain Loops 180° | <p>STANDARD FINISHES*</p> <ul style="list-style-type: none"> • BKT Black Textured • WHT White Textured • PGT Park Green Textured • ABZT Architectural Medium Bronze Textured • DBT Dark Bronze Textured <p>*Smooth Finishes are available upon request</p> <p>CUSTOM FINISHES</p> <ul style="list-style-type: none"> • OI Old Iron • RT Rust • WBR Weathered Brown <p>OPTIONS</p> <ul style="list-style-type: none"> • FHS Single Fuse and Holder-120,277 Volt • PEC1 Photocell-Bimetal 120 Volt • PEC2 Photocell-Bimetal 208-277 Volt • PEC1-E Photocell-Electronic 120 Volt • PEC2-E Photocell-Electronic 208-277 Volt | <ul style="list-style-type: none"> • CD Cedar • WBK Weathered Black • TT Two Tone <p>STERNBERG SELECT FINISHES</p> <ul style="list-style-type: none"> • VG Verde Green • SI Swedish Iron • OWGT Old World Gray Textured <p>• FHD Dual Fuse and Holder-208,240,480 Volt</p> <p>• GFI Ground Fault Interrupter Duplex Outlet¹</p> <p>• LAMPS Select from List</p> |
|---|---|--|---|

¹GFI not available with QR option