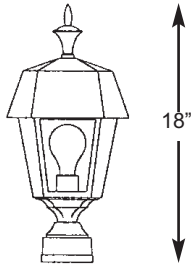


8000 MANSARD RESIDENTIAL SERIES

SPECIFICATIONS

FIXTURES	SOCKET TYPE	BB BALLAST BOX
----------	-------------	----------------

← 8 1/2" →



8030



MED
Single
Medium
Base Socket



3L Three Light
Cluster
Candelabra
Socket
Assembly



PL
Compact
Fluorescent

879BB - Medium
Scale for up to 50 watt
ballasts



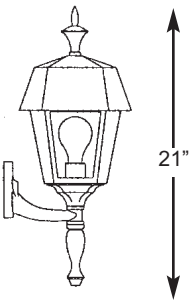
27BB - Hanging or
Pier for up to 100
watt ballasts



FIXTURES

← 9 3/4" →

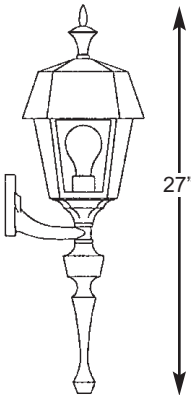
← 8 1/2" →



8014

← 9 3/4" →

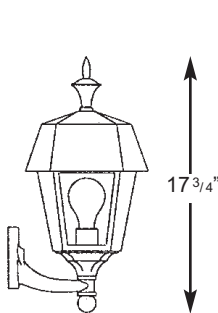
← 8 1/2" →



8015

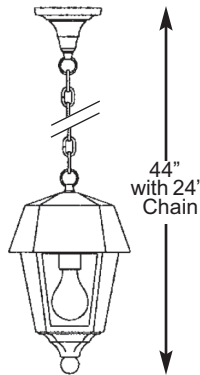
← 9 3/4" →

← 8 1/2" →



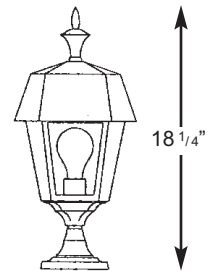
8016

← 8 1/2" →



8027

← 8 1/2" →



8035

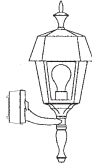
NOTE: 8000 Series requires ballast box
Add 2' to 4" on extensions for ballast box.
3 Lite cluster is 25 watt max lamp per socket.
*Remote ballast box required if HID or CF.

BUILDING A PART NUMBER



POST & ARM FIXTURES

ARM MOUNTED FIXTURE NO. OF ARMS	CENTER POST TOP FIXTURE (PT) FIXTURE	POST (See Post Section)	POST CAP	LIGHT SOURCE BALLAST WATTS / TYPE / VOLTS	OPTICS	OPTIONS	LENS	FINISH
2	8030/78PM	3412FP5	FCC	70 HPS120	MED	HPS70/MED	CSA	BKT



WALL FIXTURES

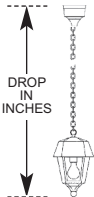
FIXTURE / WALL BRACKET	LIGHT SOURCE BALLAST WATTS / TYPE / VOLTS	OPTICS	OPTIONS	LENS	FINISH
8014/879BB	70HPS120	MED	HPS70/MED	CTA	BKT



PIER FIXTURES
Uses same information boxes as wall fixture

8035/MED

FIXTURE / PIER BASE



HANGING FIXTURES

FIXTURE / HANGING BRACKET	OVERALL DROP IN INCHES	LIGHT SOURCE BALLAST WATTS / TYPE / VOLTS	OPTICS	OPTIONS	LENS	FINISH
8027BB/CH28	24 INCHES	70 HPS120	MED	HPS70/MED	CSA	BKT

PART NUMBER SELECTIONS

FIXTURES¹

- 8014
- 8015
- 8016
- 8027
- 8030
- 8035

OPTICS

- MED
- 3L
- PL

LENSES

- BG
- CSA
- CTA
- CA
- WA

OPTIONS

- LAMPS
Select from List
- BES - Brass Eagle Small
- BP - Brass Package

BALLASTS^{1,4}

- 35HPS²
- 50HPS
- 70HPS
- 50MHP
- 70MHP
- 26PLT
- 32PLT
- 42PLT
- INCAND
(100 watt max.)

BB - BALLAST BOX

- 879BB - Medium Scale for up to 50 watt ballasts
- 27BB - Hanging or Pier for up to 70 watt ballasts

LAMPS⁵

- HPS35/MED
- HPS50/MED
- HPS70/MED
- MHP50/MED
- MHP70/MED
- PLT26
- PLT32
- PLT42

STANDARD FINISHES*

- BKT Black Textured
- WHT White Textured
- PGT Park Green Textured
- ABZT Architectural Medium Bronze Textured
- DBT Dark Bronze Textured

*Smooth Finishes are available upon request

CUSTOM FINISHES

- OI Old Iron
- RT Rust
- WBR Weathered Brown
- CD Cedar
- WBK Weathered Black
- TT Two Tone

STERNBERG SELECT FINISHES

- VG Verde Green
- SI Swedish Iron
- OWGT Old World Gray Textured

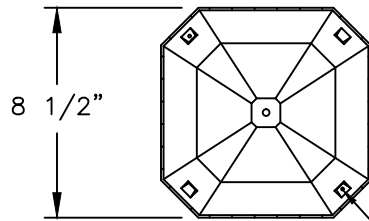
NOTES:

- 1 Pole mounted fixtures - requires ballast to be mounted in pole base.
- 1 Wall mounted fixtures - requires wall bracket arms with ballast box.
- 1 Pier mounted fixtures - require PB27BB if ballasted.
- 1 Hanging fixtures - require CH/SH27BB if ballasted.
- 2 35HPS is 120 volt only.
- 3 Medium base socket only when used to house lamp.
- 4 Medium base sockets standard with HID ballasts. 4-pin for PL
- 5 Metal halide systems are pulse start.



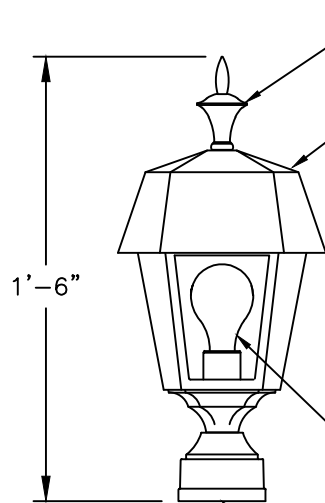
8030 MANSARD RESIDENTIAL SERIES

ALL ELECTRICAL COMPONENTS ARE U.L. OR E.T.L. LISTED IN USA AND CANADA.



FIXTURE WILL BE PREWIRED AND TESTED.

ROOF SECURED WITH (2) 10-24 X 1/2" KNURLED THUMB SCREWS



CAST ALUMINUM FINIAL

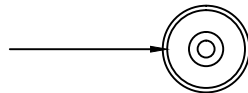
CAST ALUMINUM ROOF

(4) SIDED LENS AVAILABLE IN CLEAR SEEDED, CLEAR TEXTURED, CLEAR ACRYLIC, WHITE ACRYLIC OR BEVELED GLASS

MEDIUM BASE SOCKET, AVAILABLE WITH COMPACT FLUORESCENT OR 3 LIGHT CLUSTER

POST TOP STYLE AVAILABLE FOR WALL BRACKET, PIER BASE AND HANGING.

SLIPS 3" OD X 1 1/2" TALL TENON



SECURED WITH SET SCREWS



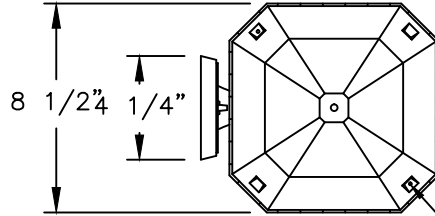
8030

3/16"=1'	DRAWN LMG
	DRAWN DATE APR 14 2011
DRAWING NUMBER	

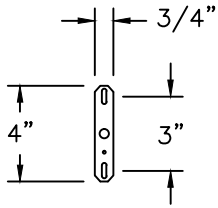
8014 MANSARD RESIDENTIAL SERIES

ALL ELECTRICAL COMPONENTS
ARE U.L. OR E.T.L. LISTED IN
USA AND CANADA.

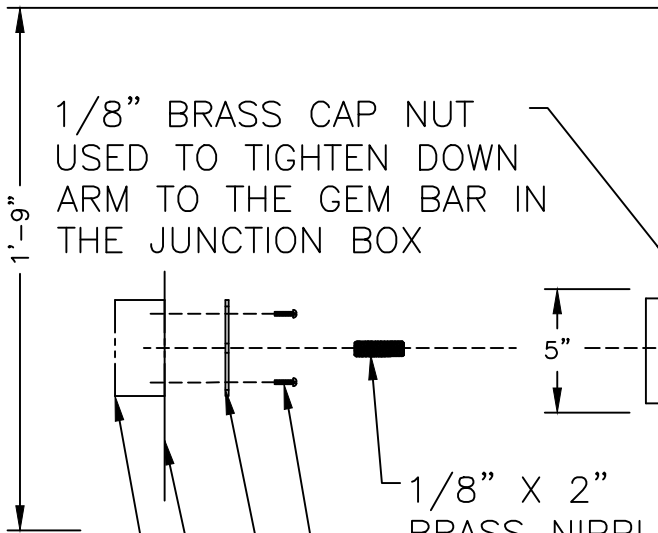
FIXTURE WILL BE PREWIRED
AND TESTED.



ROOF SECURED WITH
(2) 10-24 X 1/2"
KNURLED THUMB SCREWS



GEM BAR



1/8" BRASS CAP NUT
USED TO TIGHTEN DOWN
ARM TO THE GEM BAR IN
THE JUNCTION BOX

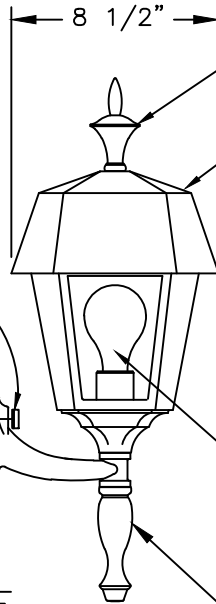
1/8" X 2"
BRASS NIPPLE

SCREWS INCLUDED
WITH JUNCTION BOX

GEM BAR ATTACHES
TO JUNCTION BOX

EXTERIOR WALL

JUNCTION BOX IN WALL
NOT SUPPLIED



CAST ALUMINUM FINIAL

CAST ALUMINUM ROOF

(4) SIDED LENS AVAILABLE
IN CLEAR SEEDED, CLEAR
TEXTURED, CLEAR ACRYLIC,
WHITE ACRYLIC OR
BEVELED GLASS

MEDIUM BASE SOCKET,
AVAILABLE WITH
COMPACT FLUORESCENT
OR 3 LIGHT CLUSTER

CAST SHORT FONT
ALSO AVAILABLE WITH
LONG FONT OR CAST
BALL



8014

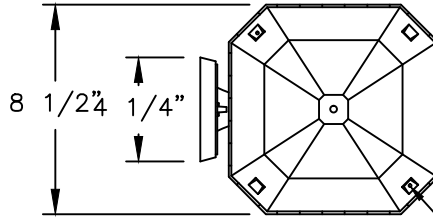
3/16"=1'

DRAWN LMG
DRAWN DATE MAY 5 2011
DRAWING NUMBER

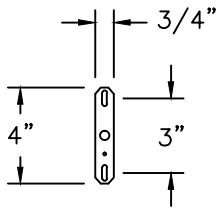
8015 MANSARD RESIDENTIAL SERIES

ALL ELECTRICAL COMPONENTS
ARE U.L. OR E.T.L. LISTED IN
USA AND CANADA.

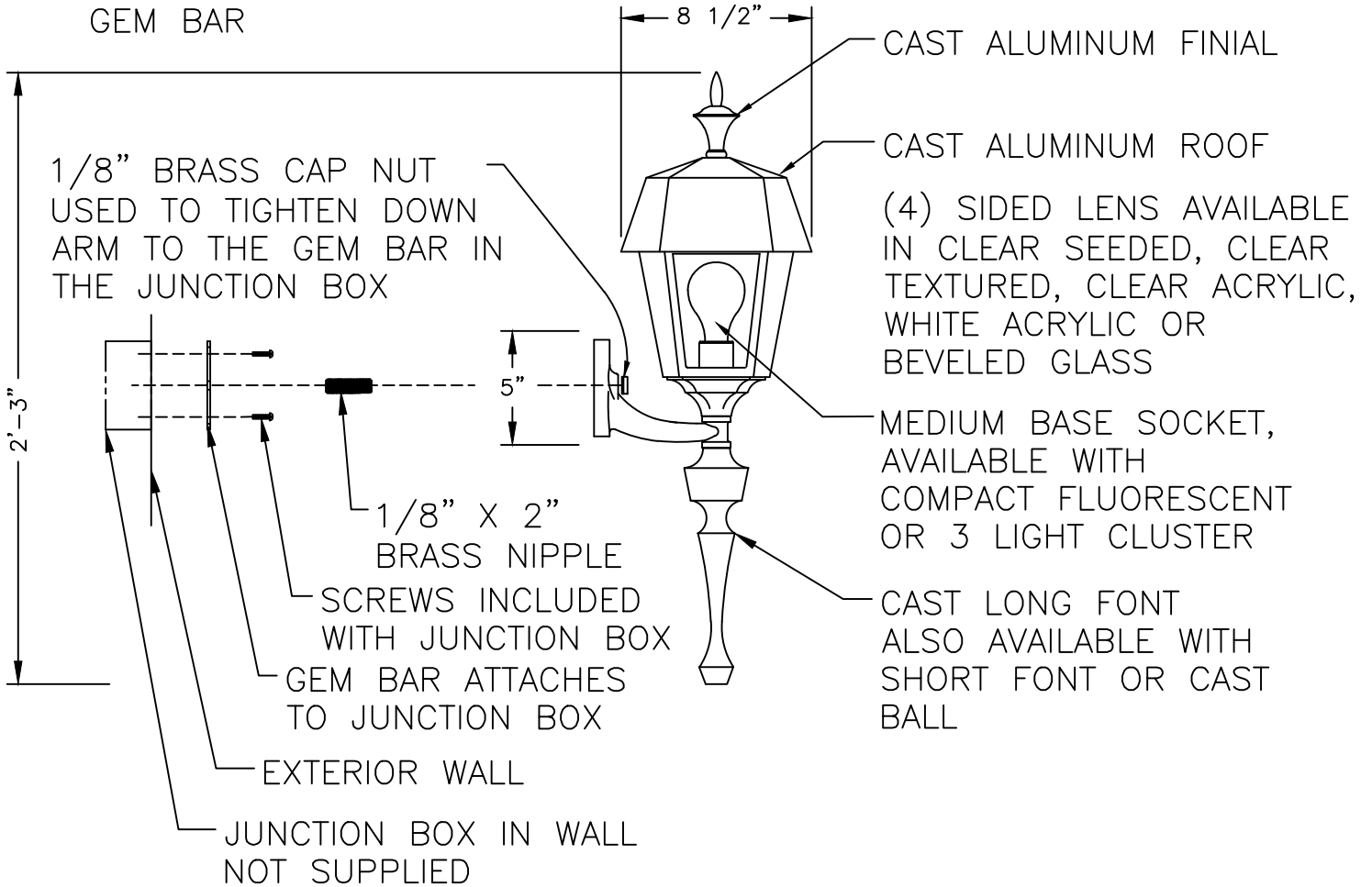
FIXTURE WILL BE PREWIRED
AND TESTED.



ROOF SECURED WITH
(2) 10-24 X 1/2"
KNURLED THUMB SCREWS



GEM BAR



8015

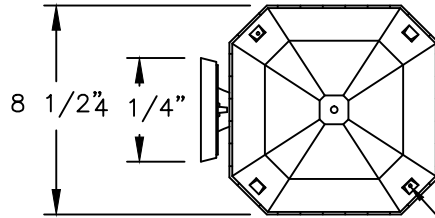
3/16"=1'

DRAWN LMG
DRAWN DATE MAY 5 2011
DRAWING NUMBER

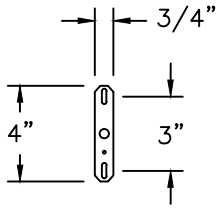
8016 MANSARD RESIDENTIAL SERIES

ALL ELECTRICAL COMPONENTS
ARE U.L. OR E.T.L. LISTED IN
USA AND CANADA.

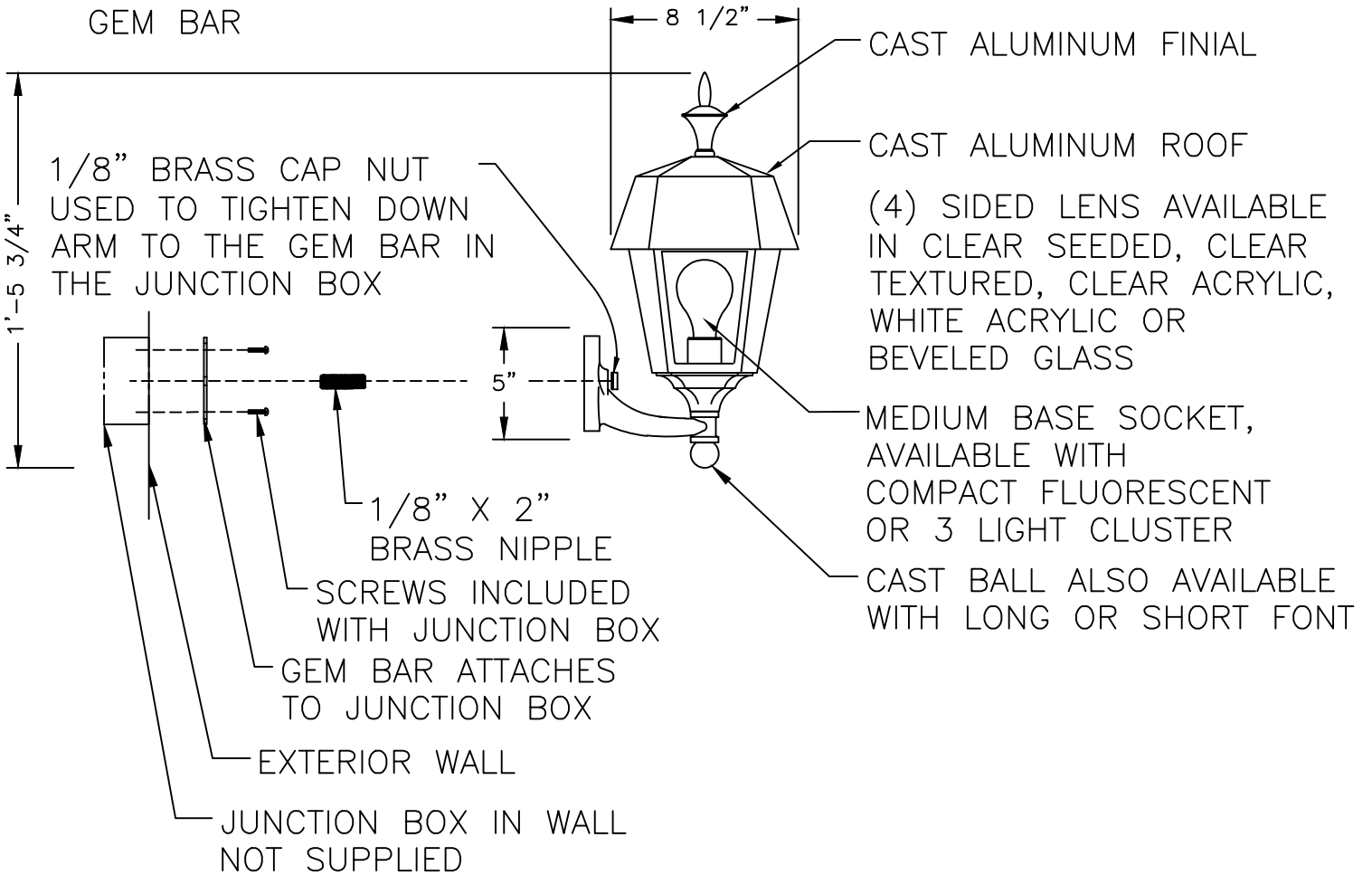
FIXTURE WILL BE PREWIRED
AND TESTED.



ROOF SECURED WITH
(2) 10-24 X 1/2"
KNURLED THUMB SCREWS



GEM BAR



8016

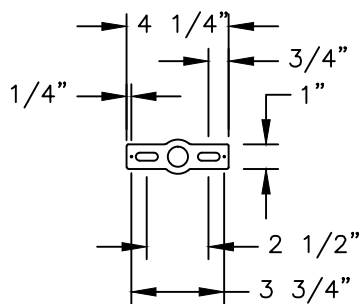
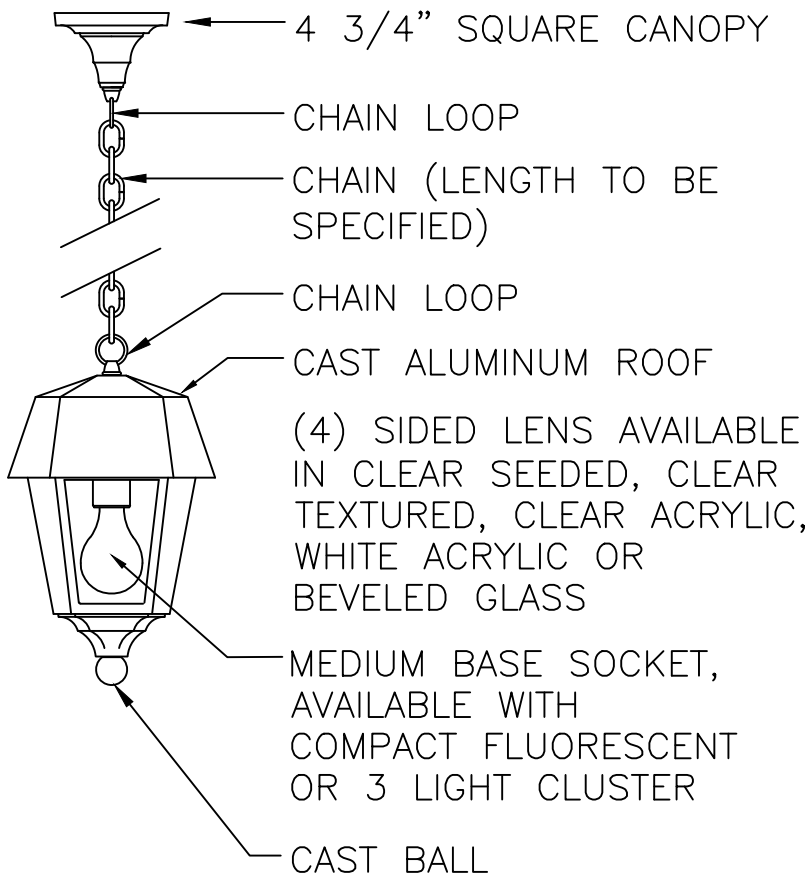
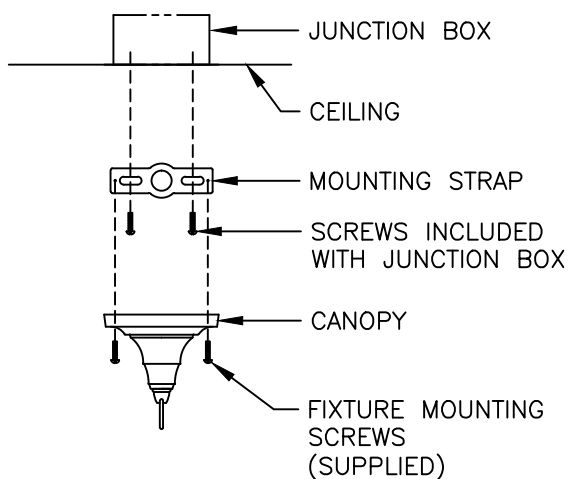
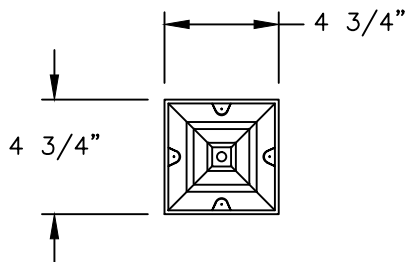
3/16"=1'

DRAWN LMG
DRAWN DATE MAY 5 2011
DRAWING NUMBER

8027 MANSARD RESIDENTIAL SERIES

ALL ELECTRICAL COMPONENTS ARE U.L. OR E.T.L. LISTED IN USA AND CANADA.

FIXTURE WILL BE PREWIRED AND TESTED.



MOUNTING STRAP



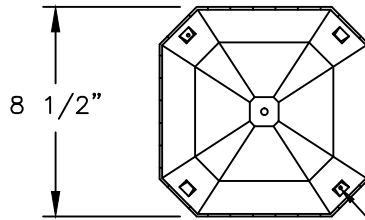
8027

3/16"=1'	DRAWN LMG
	DRAWN DATE MAY 5 2011
DRAWING NUMBER	

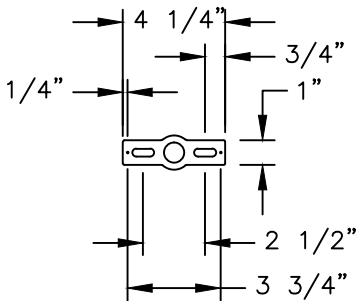
8035 MANSARD RESIDENTIAL SERIES

ALL ELECTRICAL COMPONENTS ARE U.L. OR E.T.L. LISTED IN USA AND CANADA.

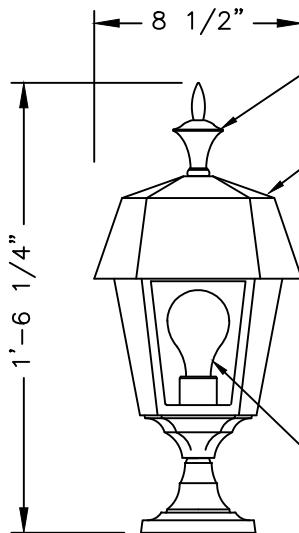
FIXTURE WILL BE PREWIRED AND TESTED.



ROOF SECURED WITH (2) 10-24 X 1/2" KNURLED THUMB SCREWS



MOUNTING STRAP

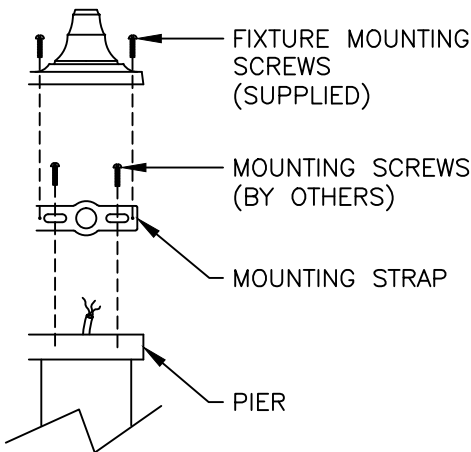


CAST ALUMINUM FINIAL

CAST ALUMINUM ROOF

(4) SIDED LENS AVAILABLE IN CLEAR SEEDED, CLEAR TEXTURED, CLEAR ACRYLIC, WHITE ACRYLIC OR BEVELED GLASS

MEDIUM BASE SOCKET, AVAILABLE WITH COMPACT FLUORESCENT OR 3 LIGHT CLUSTER

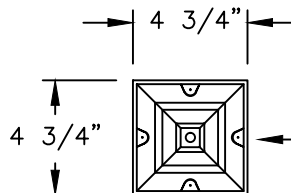


FIXTURE MOUNTING SCREWS (SUPPLIED)

MOUNTING SCREWS (BY OTHERS)

MOUNTING STRAP

PIER



PIER BASE SECURED WITH (2) 10-24 X 5/8" RHMS



8035

3/16"=1'	DRAWN LMG
	DRAWN DATE APR 22 2011
DRAWING NUMBER	