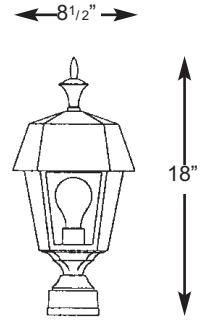

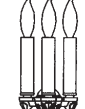
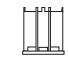
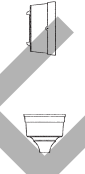
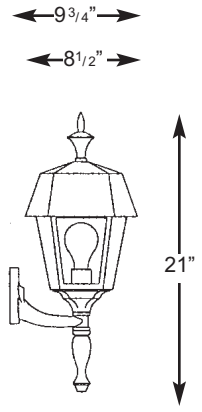
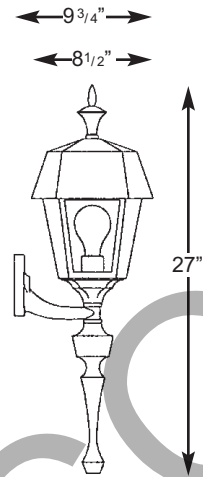
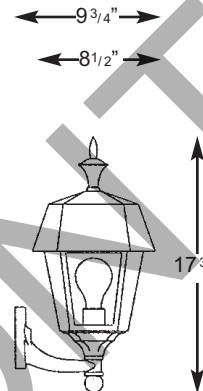
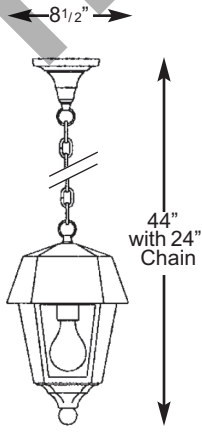
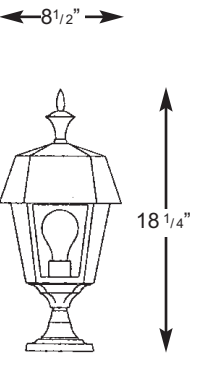


**8000 MANSARD RESIDENTIAL SERIES**

**SPECIFICATIONS**

FIXTURES	SOCKET TYPE			BB BALLAST BOX
 <p><b>8030</b></p>	 <p><b>MED</b> Single Medium Base Socket</p>	 <p><b>3L</b> Three Light Cluster Candelabra Socket Assembly</p>	 <p><b>PL</b> Compact Fluorescent</p>	<p><b>879BB</b> - Medium Scale for up to 50 watt ballasts</p> <p><b>27BB</b> - Hanging or Pier for up to 100 watt ballasts</p> 

FIXTURES				
 <p><b>8014</b></p>	 <p><b>8015</b></p>	 <p><b>8016</b></p>	 <p><b>8027</b></p>	 <p><b>8035</b></p>

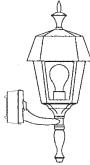
NOTE: 8000 Series requires ballast box.  
Add 2' to 4" on extensions for ballast box.  
3 Lite cluster is 25 watt max lamp per socket.  
\*Remote ballast box required if HID or CF.

# BUILDING A PART NUMBER



## POST & ARM FIXTURES

ARM MOUNTED FIXTURE NO. OF ARMS	CENTER POST TOP FIXTURE (PT) FIXTURE	POST (See Post Section)	POST CAP	LIGHT SOURCE BALLAST WATTS / TYPE / VOLTS	OPTICS	OPTIONS	LENS	FINISH
2	8030/78PM	3412FP5	FCC	70 HPS120	MED	HPS70/MED	CSA	BKT

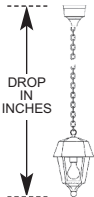


## WALL FIXTURES

FIXTURE / WALL BRACKET	LIGHT SOURCE BALLAST WATTS / TYPE / VOLTS	OPTICS	OPTIONS	LENS	FINISH	PIER FIXTURES Uses same information boxes as wall fixture
8014/879BB	70HPS120	MED	HPS70/MED	CTA	BKT	8035/MED



FIXTURE / PIER BASE



## HANGING FIXTURES

FIXTURE / HANGING BRACKET	OVERALL DROP IN INCHES	LIGHT SOURCE BALLAST WATTS / TYPE / VOLTS	OPTICS	OPTIONS	LENS	FINISH
8027BB/CH28	24 INCHES	70 HPS120	MED	HPS70/MED	CSA	BKT

## PART NUMBER SELECTIONS

### FIXTURES<sup>1</sup>

- 8014
- 8015
- 8016
- 8027
- 8030
- 8035

### OPTICS

- MED
- 3L
- PL

### LENSES

- BG
- CSA
- CTA
- CA
- WA

### OPTIONS

- LAMPS  
Select from List
- BES - Brass Eagle Small
- BP - Brass Package

### BALLASTS<sup>1,4</sup>

- 35HPS<sup>2</sup>
- 50HPS
- 70HPS
- 50MHP
- 70MHP
- 26PLT
- 32PLT
- 42PLT
- INCAND  
(100 watt max.)

### BB - BALLAST BOX

- 879BB - Medium Scale for up to 50 watt ballasts
- 27BB - Hanging or Pier for up to 70 watt ballasts

### LAMPS<sup>5</sup>

- HPS35/MED
- HPS50/MED
- HPS70/MED
- MHP50/MED
- MHP70/MED
- PLT26
- PLT32
- PLT42

### STANDARD FINISHES\*

- BKT Black Textured
- WHT White Textured
- PGT Park Green Textured
- ABZT Architectural Medium Bronze Textured
- DBT Dark Bronze Textured

\*Smooth Finishes are available upon request

### CUSTOM FINISHES

- OI Old Iron
- RT Rust
- WBR Weathered Brown
- CD Cedar
- WBK Weathered Black
- TT Two Tone

### STERNBERG SELECT FINISHES

- VG Verde Green
- SI Swedish Iron
- OWGT Old World Gray Textured

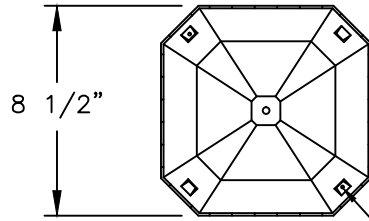
### NOTES:

- 1 Pole mounted fixtures - requires ballast to be mounted in pole base.
- 1 Wall mounted fixtures - requires wall bracket arms with ballast box.
- 1 Pier mounted fixtures - require PB27BB if ballasted.
- 1 Hanging fixtures - require CH/SH27BB if ballasted.
- 2 35HPS is 120 volt only.
- 3 Medium base socket only when used to house lamp.
- 4 Medium base sockets standard with HID ballasts. 4-pin for PL
- 5 Metal halide systems are pulse start.



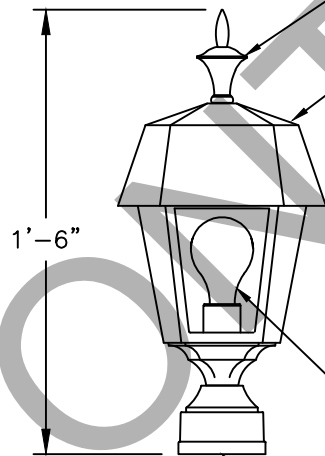
# 8030 MANSARD RESIDENTIAL SERIES

ALL ELECTRICAL COMPONENTS ARE U.L. OR E.T.L. LISTED IN USA AND CANADA.



FIXTURE WILL BE PREWIRED AND TESTED.

ROOF SECURED WITH (2) 10-24 X 1/2" KNURLED THUMB SCREWS



CAST ALUMINUM FINIAL

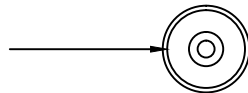
CAST ALUMINUM ROOF

(4) SIDED LENS AVAILABLE IN CLEAR SEEDED, CLEAR TEXTURED, CLEAR ACRYLIC, WHITE ACRYLIC OR BEVELED GLASS

MEDIUM BASE SOCKET, AVAILABLE WITH COMPACT FLUORESCENT OR 3 LIGHT CLUSTER

POST TOP STYLE AVAILABLE FOR WALL BRACKET, PIER BASE AND HANGING.

SLIPS 3" OD X 1 1/2" TALL TENON



SECURED WITH SET SCREWS



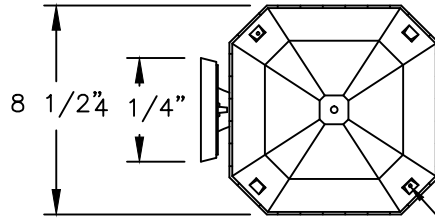
8030

3/16"=1'	DRAWN LMG
	DRAWN DATE APR 14 2011
DRAWING NUMBER	

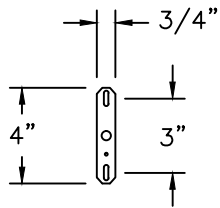
# 8014 MANSARD RESIDENTIAL SERIES

ALL ELECTRICAL COMPONENTS ARE U.L. OR E.T.L. LISTED IN USA AND CANADA.

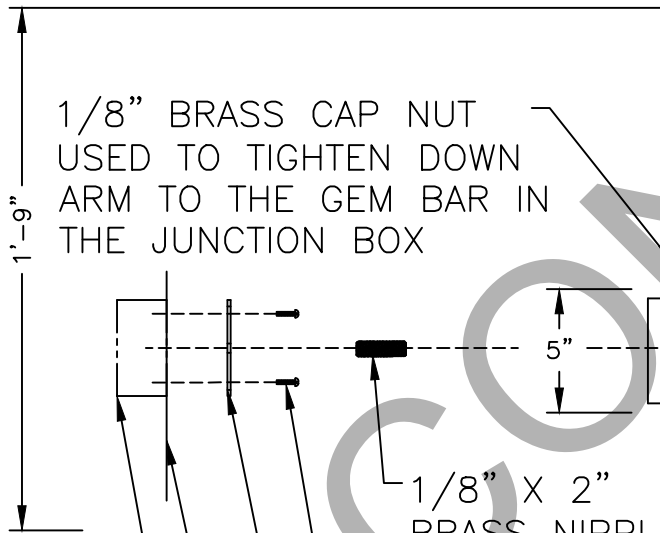
FIXTURE WILL BE PREWIRED AND TESTED.



ROOF SECURED WITH (2) 10-24 X 1/2" KNURLED THUMB SCREWS



GEM BAR



1/8" BRASS CAP NUT USED TO TIGHTEN DOWN ARM TO THE GEM BAR IN THE JUNCTION BOX

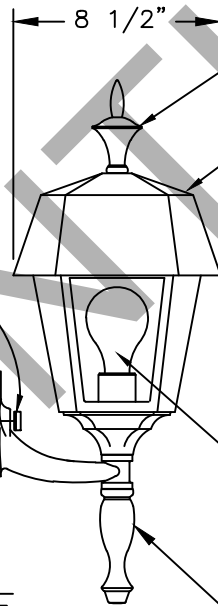
1/8" X 2" BRASS NIPPLE

SCREWS INCLUDED WITH JUNCTION BOX

GEM BAR ATTACHES TO JUNCTION BOX

EXTERIOR WALL

JUNCTION BOX IN WALL NOT SUPPLIED



CAST ALUMINUM FINIAL

CAST ALUMINUM ROOF

(4) SIDED LENS AVAILABLE IN CLEAR SEEDED, CLEAR TEXTURED, CLEAR ACRYLIC, WHITE ACRYLIC OR BEVELED GLASS

MEDIUM BASE SOCKET, AVAILABLE WITH COMPACT FLUORESCENT OR 3 LIGHT CLUSTER

CAST SHORT FONT ALSO AVAILABLE WITH LONG FONT OR CAST BALL



8014

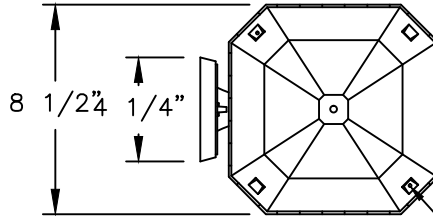
3/16"=1'

DRAWN LMG  
DRAWN DATE MAY 5 2011  
DRAWING NUMBER

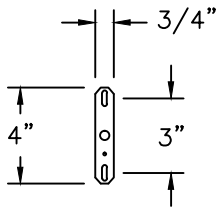
# 8015 MANSARD RESIDENTIAL SERIES

ALL ELECTRICAL COMPONENTS ARE U.L. OR E.T.L. LISTED IN USA AND CANADA.

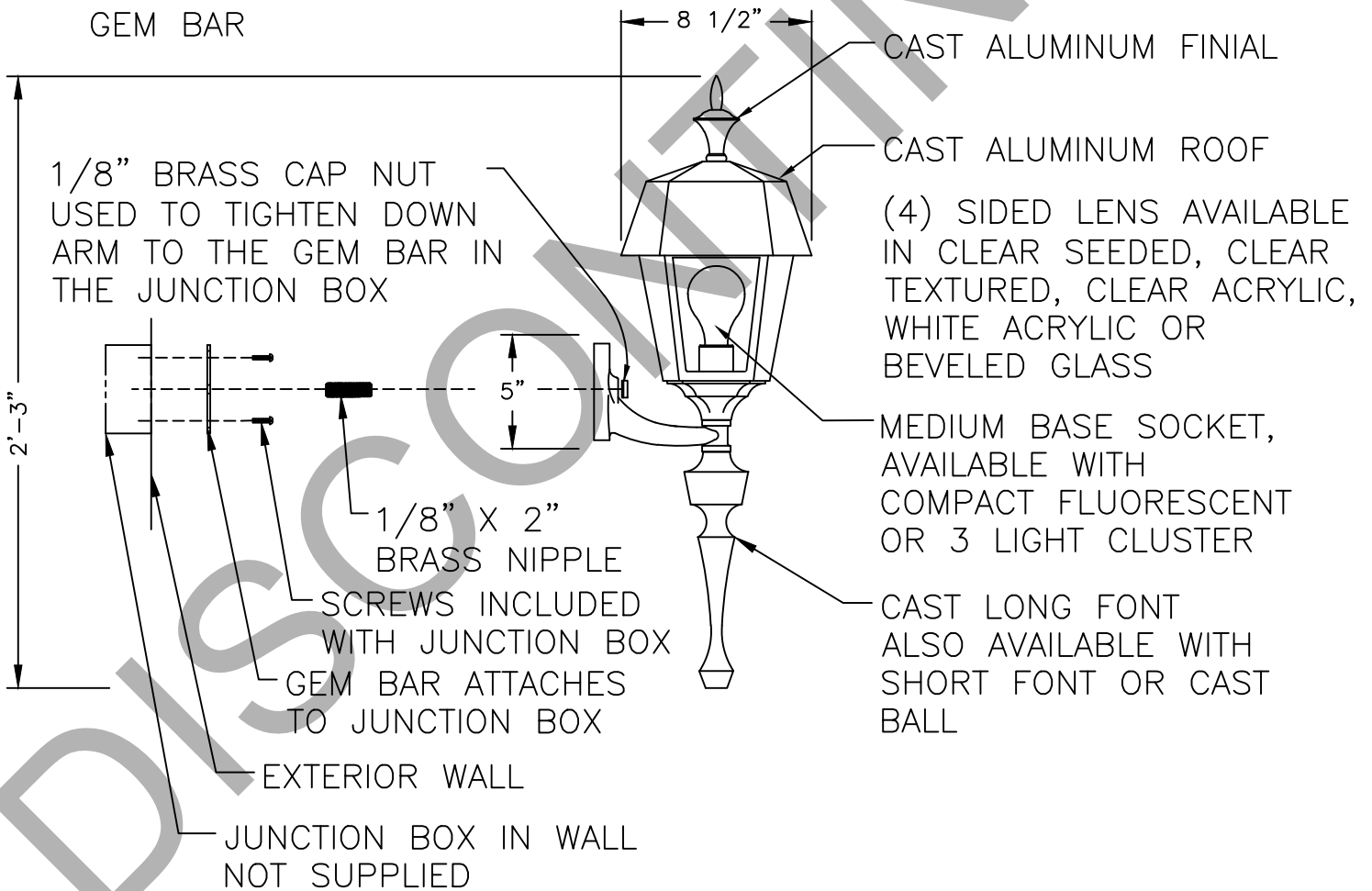
FIXTURE WILL BE PREWIRED AND TESTED.



ROOF SECURED WITH (2) 10-24 X 1/2" KNURLED THUMB SCREWS



GEM BAR



8015

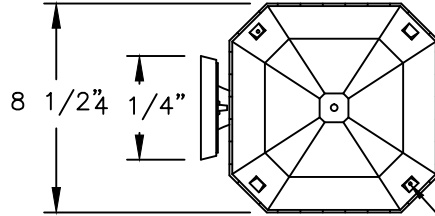
3/16"=1'

DRAWN LMG  
 DRAWN DATE MAY 5 2011  
 DRAWING NUMBER

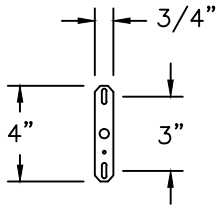
# 8016 MANSARD RESIDENTIAL SERIES

ALL ELECTRICAL COMPONENTS ARE U.L. OR E.T.L. LISTED IN USA AND CANADA.

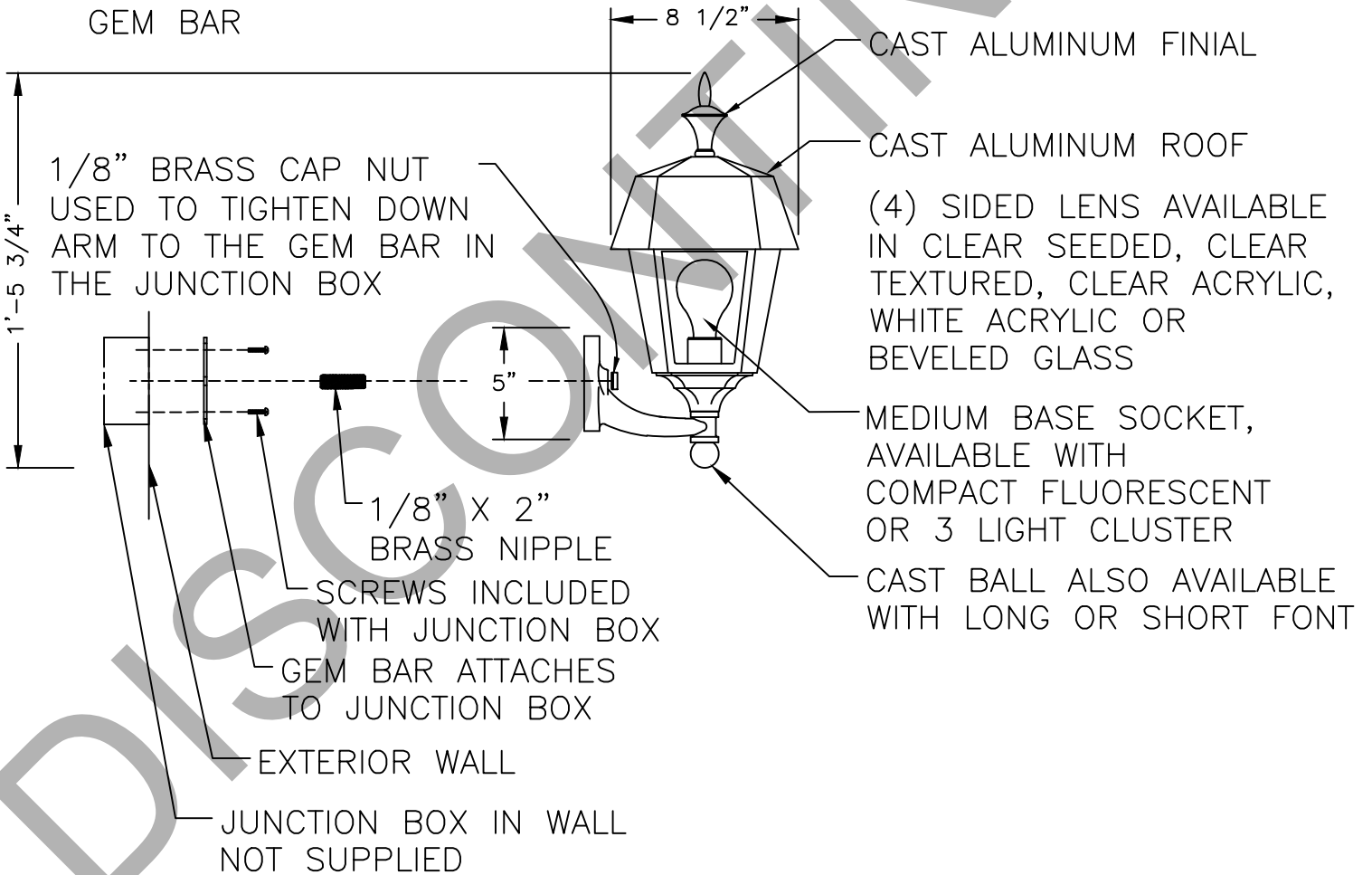
FIXTURE WILL BE PREWIRED AND TESTED.



ROOF SECURED WITH (2) 10-24 X 1/2" KNURLED THUMB SCREWS



GEM BAR



8016

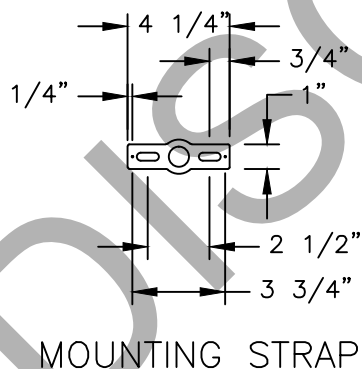
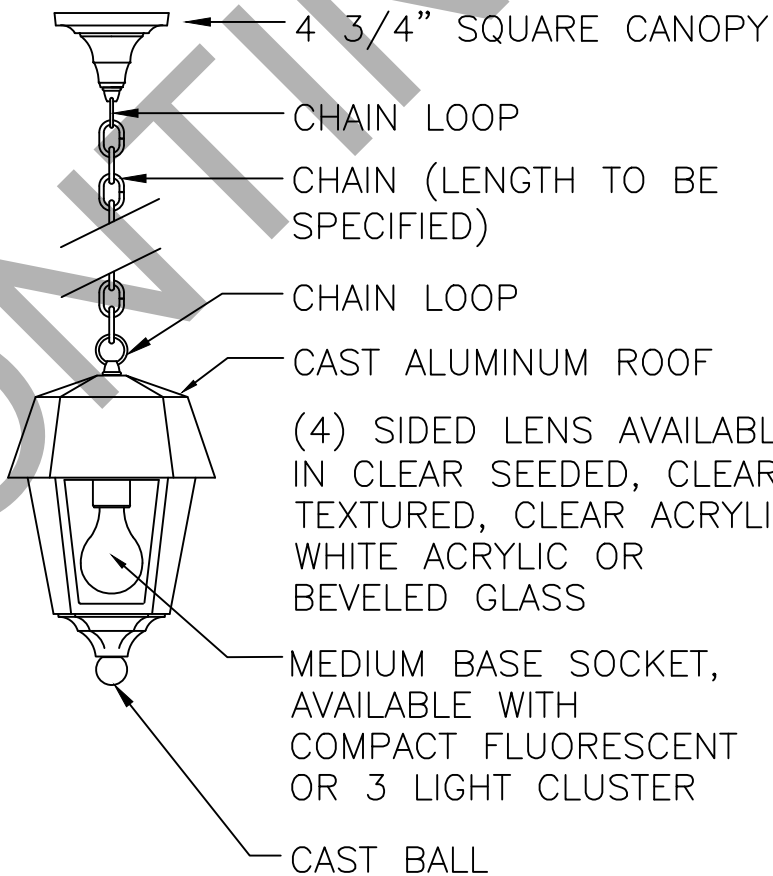
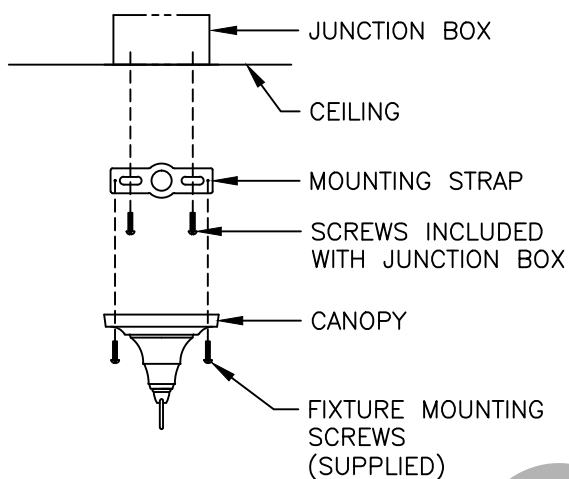
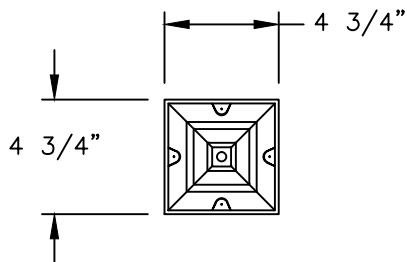
3/16"=1'

DRAWN LMG  
 DRAWN DATE MAY 5 2011  
 DRAWING NUMBER

# 8027 MANSARD RESIDENTIAL SERIES

ALL ELECTRICAL COMPONENTS ARE U.L. OR E.T.L. LISTED IN USA AND CANADA.

FIXTURE WILL BE PREWIRED AND TESTED.



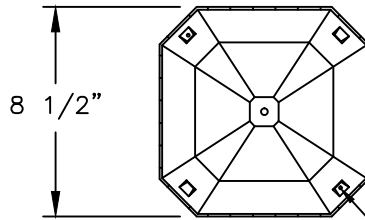
8027

3/16"=1'	DRAWN LMG
	DRAWN DATE MAY 5 2011
DRAWING NUMBER	

# 8035 MANSARD RESIDENTIAL SERIES

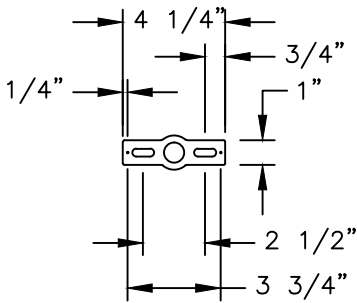
ALL ELECTRICAL COMPONENTS ARE U.L. OR E.T.L. LISTED IN USA AND CANADA.

FIXTURE WILL BE PREWIRED AND TESTED.

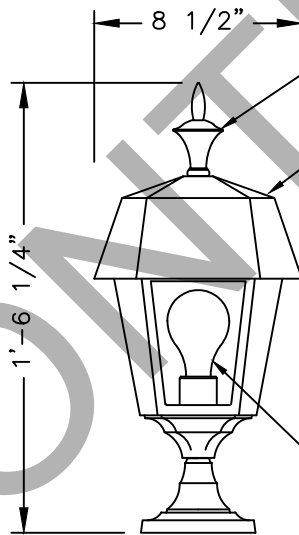


8 1/2"

ROOF SECURED WITH (2) 10-24 X 1/2" KNURLED THUMB SCREWS



MOUNTING STRAP

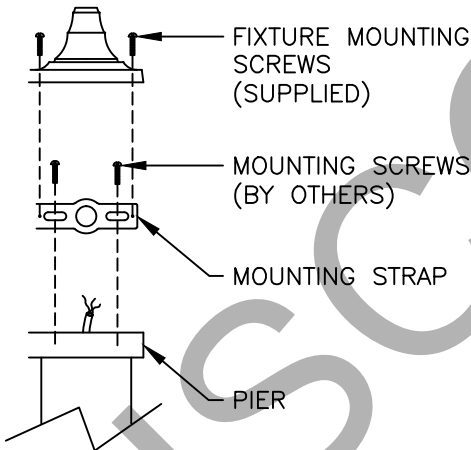


CAST ALUMINUM FINIAL

CAST ALUMINUM ROOF

(4) SIDED LENS AVAILABLE IN CLEAR SEEDED, CLEAR TEXTURED, CLEAR ACRYLIC, WHITE ACRYLIC OR BEVELED GLASS

MEDIUM BASE SOCKET, AVAILABLE WITH COMPACT FLUORESCENT OR 3 LIGHT CLUSTER

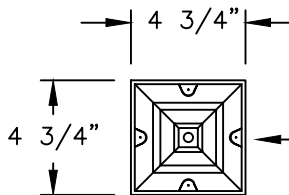


FIXTURE MOUNTING SCREWS (SUPPLIED)

MOUNTING SCREWS (BY OTHERS)

MOUNTING STRAP

PIER



PIER BASE SECURED WITH (2) 10-24 X 5/8" RHMS



8035

3/16"=1'	DRAWN LMG DRAWN DATE APR 22 2011
	DRAWING NUMBER