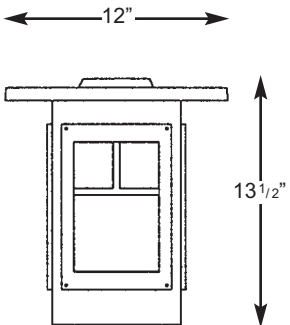


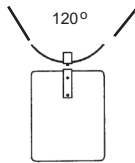





770 MISSION RESIDENTIAL SERIES

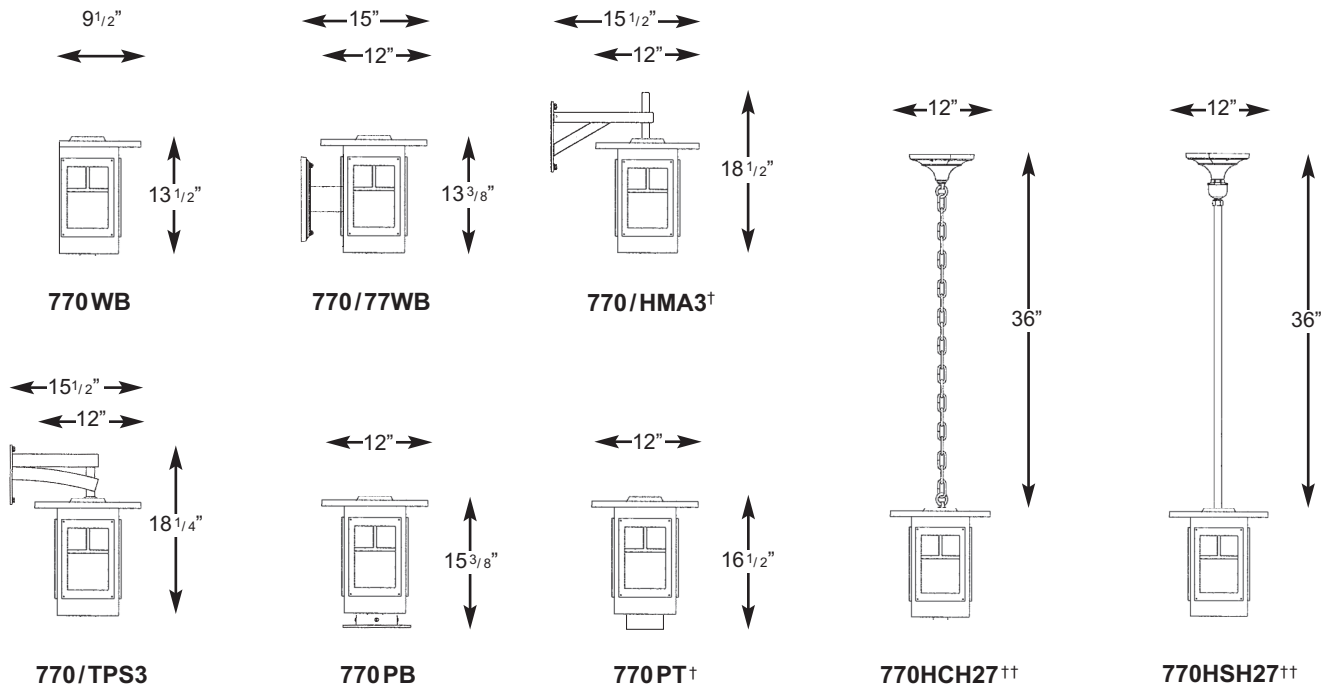
SPECIFICATIONS

FIXTURE	SOCKET TYPE	OPTICAL SYSTEMS	BB BALLAST BOX	POST FITTER	
 <p>770</p>	 <p>MED Single Medium Base Socket</p>	 <p>PL Compact Fluorescent</p>	 <p>HSS House Side Shield</p>	 <p>FMC Frosted Mission Chimney</p>	<p>78BB - Large Scale for up to 100 watt ballasts</p>  <p>27BB - Hanging or Pier for up to 100 watt ballasts</p>  <p>SIZES</p> <ul style="list-style-type: none"> ○ R3" □ S4" ○ R4"

LENSES



POST MOUNT, WALL BRACKETS & PIER MOUNT



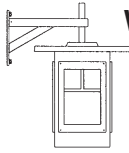
NOTE: 770 Series 100W Max. INC. Refractors not available.
† Remote Ballast required if HID or CF. †† Add BB Ballast Box for 100W HID.

BUILDING A PART NUMBER



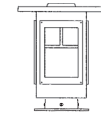
POST & ARM FIXTURES

ARM MOUNTED FIXTURE	CENTER POST TOP FIXTURE (PT)	POST	POST CAP	LIGHT SOURCE BALLAST	OPTICS	OPTIONS	LENS	FINISH
NO. OF ARMS	FIXTURE / POSTARM	FIXT./FITTER	(See Post Section)	WATTS / TYPE / VOLTS				
		770/S4	4SQX	100MHP120			WA	BKT



WALL FIXTURES

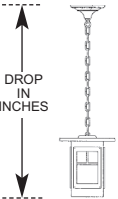
FIXTURE / WALL BRACKET	LIGHT SOURCE BALLAST	OPTICS	OPTIONS	LENS	FINISH
WATTS / TYPE / VOLTS					
770HMA3	100MHP120		MHP100/MED	WA	BKT



PIER FIXTURES
Uses same information boxes as wall fixture

770/P28B

FIXTURE / PIER BASE



HANGING FIXTURES

FIXTURE / HANGING BRACKET	OVERALL DROP IN INCHES	LIGHT SOURCE BALLAST	OPTICS	OPTIONS	LENS	FINISH
WATTS / TYPE / VOLTS						
770H/CH27	36 INCHES	100MHP120	FMC	MHP100/MED	CA	BKT

PART NUMBER SELECTIONS

FIXTURES <ul style="list-style-type: none"> • 770 	POST ARMS <ul style="list-style-type: none"> • 77PM • HMA3PM • TPS3PM 	WALL BRACKET ARMS <ul style="list-style-type: none"> • 77WB • HMA3WB • TPS3WB 	LAMPS⁴ <ul style="list-style-type: none"> • HPS35/MED • HPS50/MED • HPS70/MED • HPS100/MED • MHP50/MED • MHP70/MED • MHP100/MED 	BALLASTS^{3,4} <ul style="list-style-type: none"> • 35HPS¹ • 50HPS • 70HPS • 100HPS • 50MHP • 70MHP • 100MHP • 26PLT • 32PLT • 42PLT • 57PLT • 70PLT • INCAND (100 watt max.) 	BB - BALLAST BOX <ul style="list-style-type: none"> • 78BB - Medium Scale for up to 100 watt ballasts • 27BB - Hanging or Pier for up to 100 watt ballasts 	STANDARD FINISHES* <ul style="list-style-type: none"> • BKT Black Textured • WHT White Textured • PGT Park Green Textured • ABZT Architectural Medium Bronze Textured • DBT Dark Bronze Textured <p><small>*Smooth Finishes are available upon request</small></p>
OPTICS <ul style="list-style-type: none"> • HSS • FMC • MED • PL 	LENSES <ul style="list-style-type: none"> • CA • CSA • CTA • PA • WA • AGB 	HANGING BRACKETS <ul style="list-style-type: none"> • CH27 • SH27 	PIER BASE <ul style="list-style-type: none"> • P28B 	CUSTOM FINISHES <ul style="list-style-type: none"> • OI Old Iron • RT Rust • WBR Weathered Brown • CD Cedar • WBK Weathered Black • TT Two Tone 	STERNBERG SELECT FINISHES <ul style="list-style-type: none"> • VG Verde Green • SI Swedish Iron • OWGT Old World Gray Textured 	

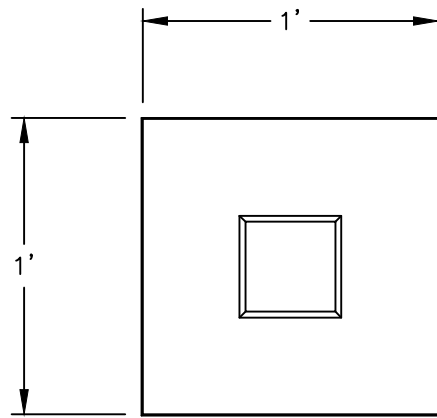
OPTIONS

- PEC1-E Photocell-Electronic 120-277 Volt
- FHS Single Fuse and Holder-120,277 Volt
- LAMPS Select from List

NOTES:

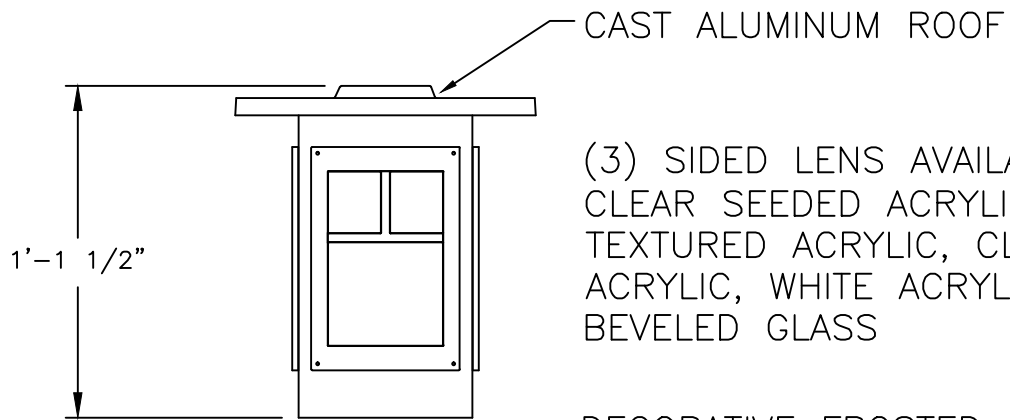
- ¹ 35HPS is 120 volt only.
- ² MED base only when used to house lamp.
- ³ Medium base sockets standard with ballasts up to 100 watts for HID. 4-pin for PL.
- ⁴ Metal halide systems are pulse start.

770 PRAIRIE RESIDENTIAL SERIES



ALL ELECTRICAL COMPONENTS ARE U.L. OR E.T.L. LISTED IN USA AND CANADA.

FIXTURE WILL BE PREWIRED AND TESTED.



(3) SIDED LENS AVAILABLE IN CLEAR SEEDED ACRYLIC, CLEAR TEXTURED ACRYLIC, CLEAR ACRYLIC, WHITE ACRYLIC OR BEVELED GLASS

DECORATIVE FROSTED CHIMNEY WITH MEDIUM BASE SOCKET OR DECORATIVE FROSTED CHIMNEY WITH FLUORESCENT SOCKET OR 3-LIGHT CLUSTER

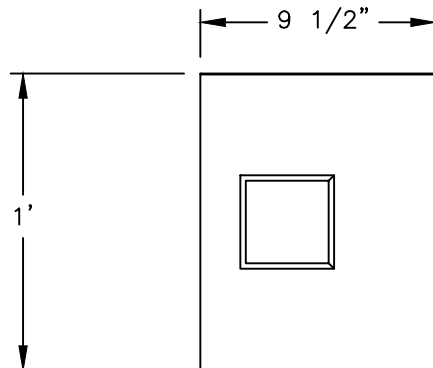


770

3/16"=1'

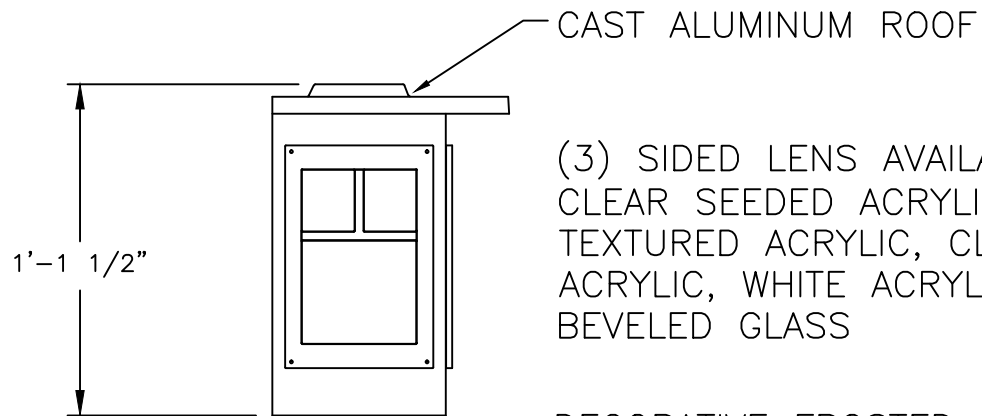
DRAWN LMG
 DRAWN DATE JAN 25 2012
 DRAWING NUMBER

770WB PRAIRIE RESIDENTIAL SERIES



ALL ELECTRICAL COMPONENTS ARE U.L. OR E.T.L. LISTED IN USA AND CANADA.

FIXTURE WILL BE PREWIRED AND TESTED.



(3) SIDED LENS AVAILABLE IN CLEAR SEEDED ACRYLIC, CLEAR TEXTURED ACRYLIC, CLEAR ACRYLIC, WHITE ACRYLIC OR BEVELED GLASS

DECORATIVE FROSTED CHIMNEY WITH MEDIUM BASE SOCKET OR DECORATIVE FROSTED CHIMNEY WITH FLUORESCENT SOCKET OR 3-LIGHT CLUSTER

STERNBERG

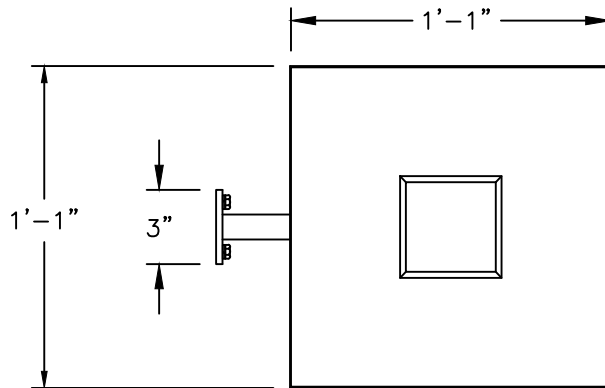
SINCE 1923

770WB

3/16"=1'

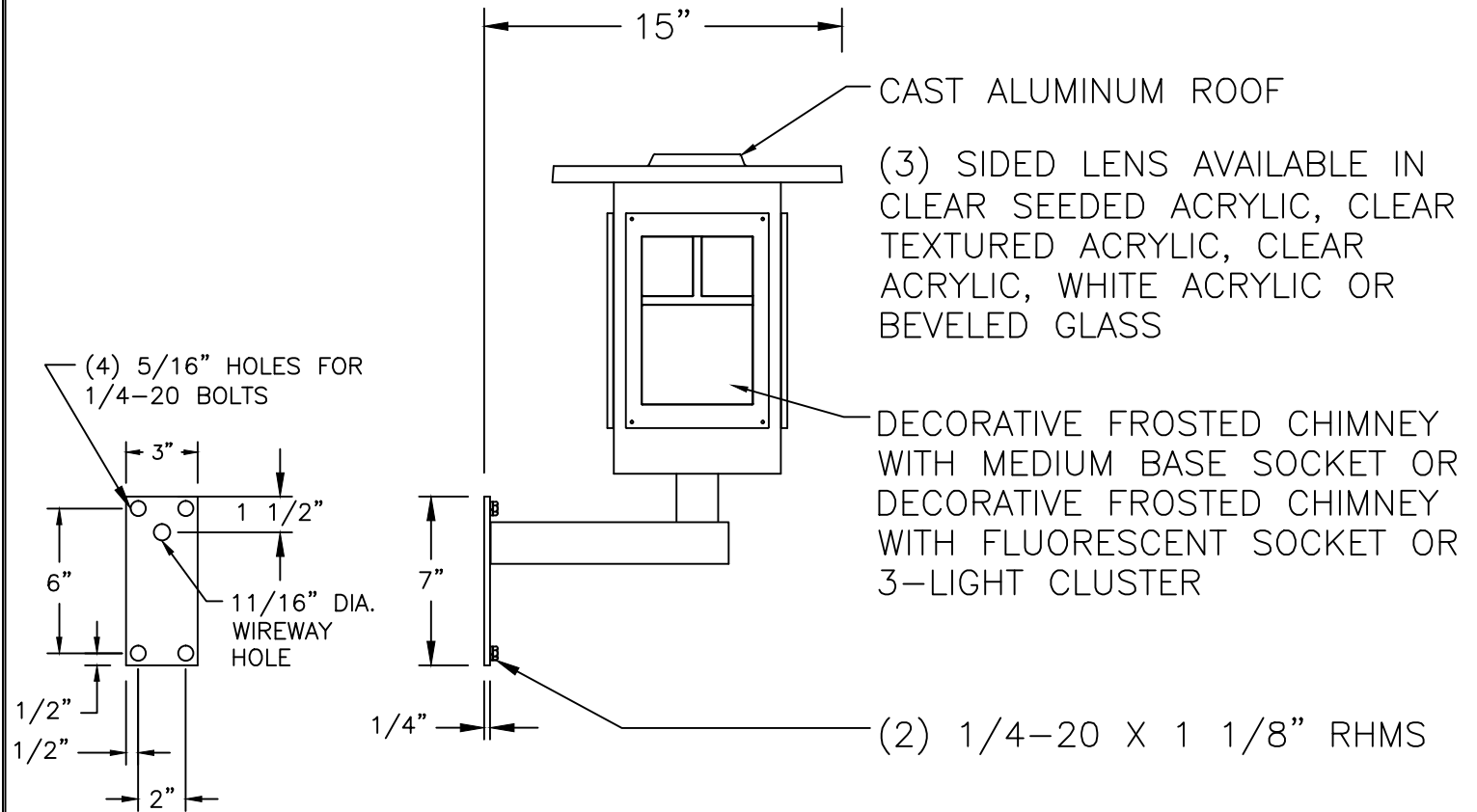
DRAWN LMG
 DRAWN DATE JAN 20 2012
 DRAWING NUMBER

770/H3 PRAIRIE RESIDENTIAL SERIES



ALL ELECTRICAL COMPONENTS ARE U.L. OR E.T.L. LISTED IN USA AND CANADA.

FIXTURE WILL BE PREWIRED AND TESTED.



STERNBERG
SINCE 1923

770/H3

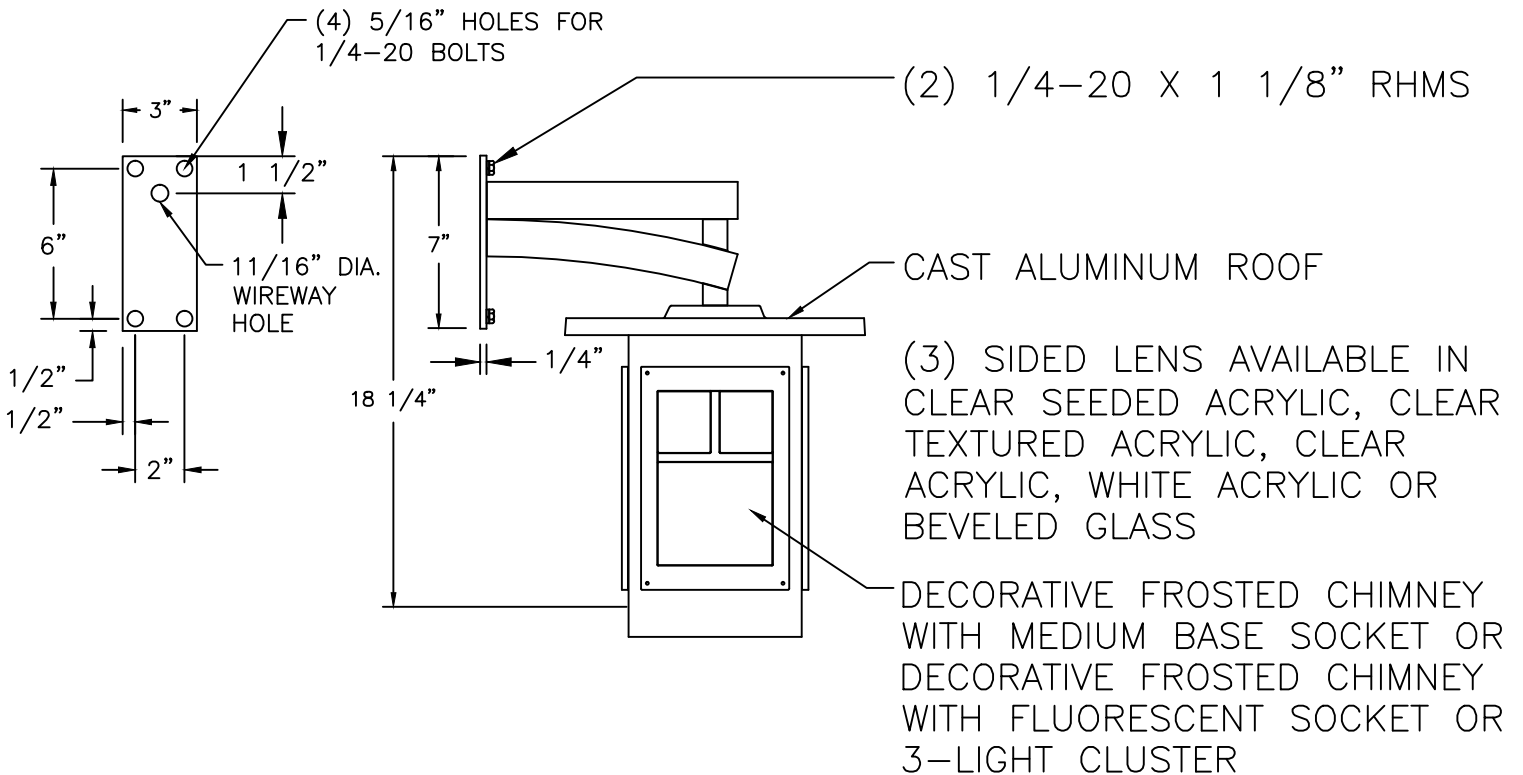
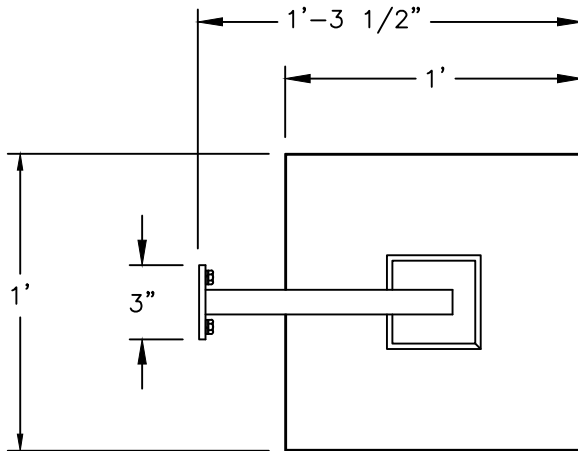
DRAWN LMG
DRAWN DATE NOV 22 2011
DRAWING NUMBER

3/16"=1'

770/TPS3 PRAIRIE RESIDENTIAL SERIES

ALL ELECTRICAL COMPONENTS ARE U.L. OR E.T.L. LISTED IN USA AND CANADA.

FIXTURE WILL BE PREWIRED AND TESTED.

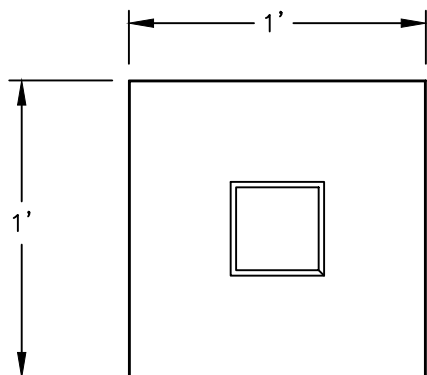


STERNBERG
SINCE 1923

770/TPS3

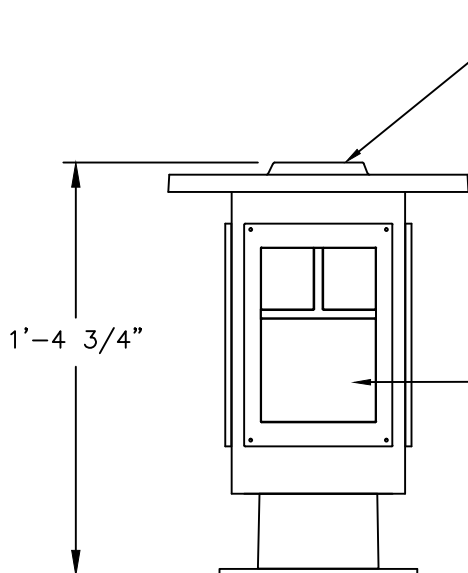
3/16"=1'	DRAWN	LMG
	DRAWN DATE	JAN 20 2012
		DRAWING NUMBER

770/PB PRAIRIE RESIDENTIAL SERIES



ALL ELECTRICAL COMPONENTS ARE U.L. OR E.T.L. LISTED IN USA AND CANADA.

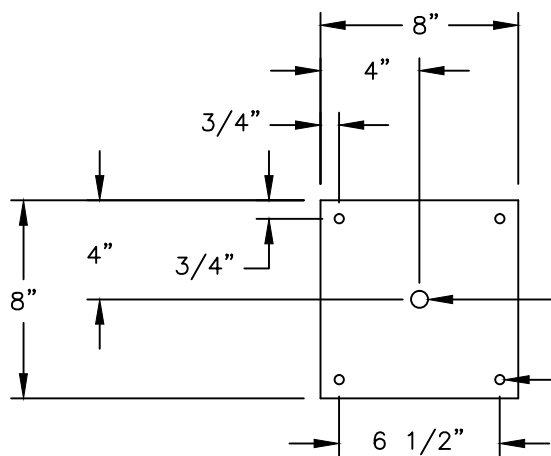
FIXTURE WILL BE PREWIRED AND TESTED.



CAST ALUMINUM ROOF

(3) SIDED LENS AVAILABLE IN CLEAR SEEDED ACRYLIC, CLEAR TEXTURED ACRYLIC, CLEAR ACRYLIC, WHITE ACRYLIC OR BEVELED GLASS

DECORATIVE FROSTED CHIMNEY WITH MEDIUM BASE SOCKET OR DECORATIVE FROSTED CHIMNEY WITH FLUORESCENT SOCKET OR 3-LIGHT CLUSTER



11/16" WIRE WAY HOLE

(4) 3/8" DIA. MOUNTING HOLES

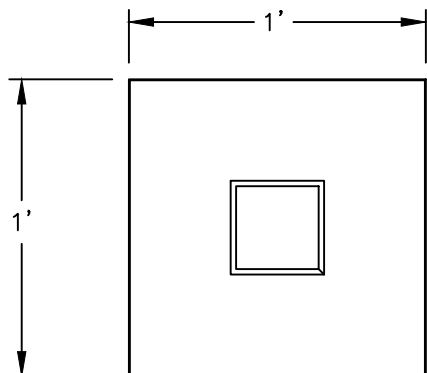


770/PB

3/16"=1'

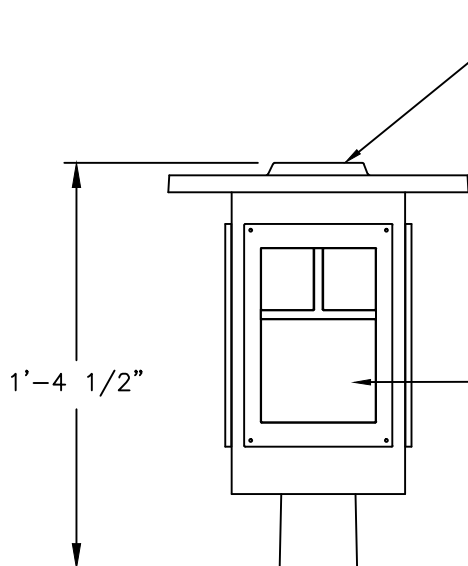
DRAWN LMG
DRAWN DATE JAN 20 2012
DRAWING NUMBER

770PT PRAIRIE RESIDENTIAL SERIES



ALL ELECTRICAL COMPONENTS ARE U.L. OR E.T.L. LISTED IN USA AND CANADA.

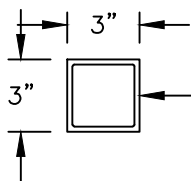
FIXTURE WILL BE PREWIRED AND TESTED.



CAST ALUMINUM ROOF

(3) SIDED LENS AVAILABLE IN CLEAR SEEDED ACRYLIC, CLEAR TEXTURED ACRYLIC, CLEAR ACRYLIC, WHITE ACRYLIC OR BEVELED GLASS

DECORATIVE FROSTED CHIMNEY WITH MEDIUM BASE SOCKET OR DECORATIVE FROSTED CHIMNEY WITH FLUORESCENT SOCKET OR 3-LIGHT CLUSTER



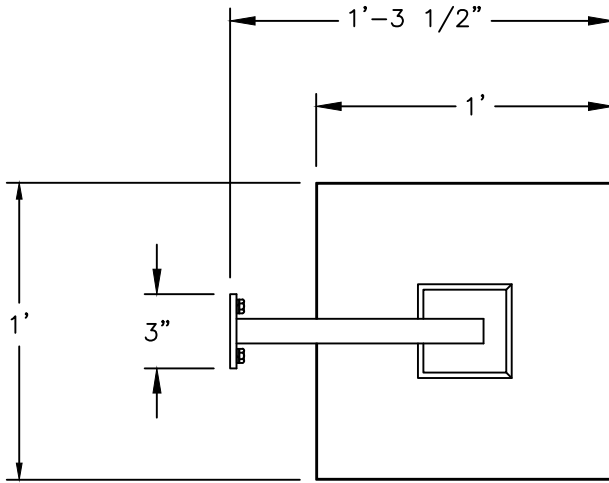
TO SLIP FIT 4" SQUARE TENON



770PT

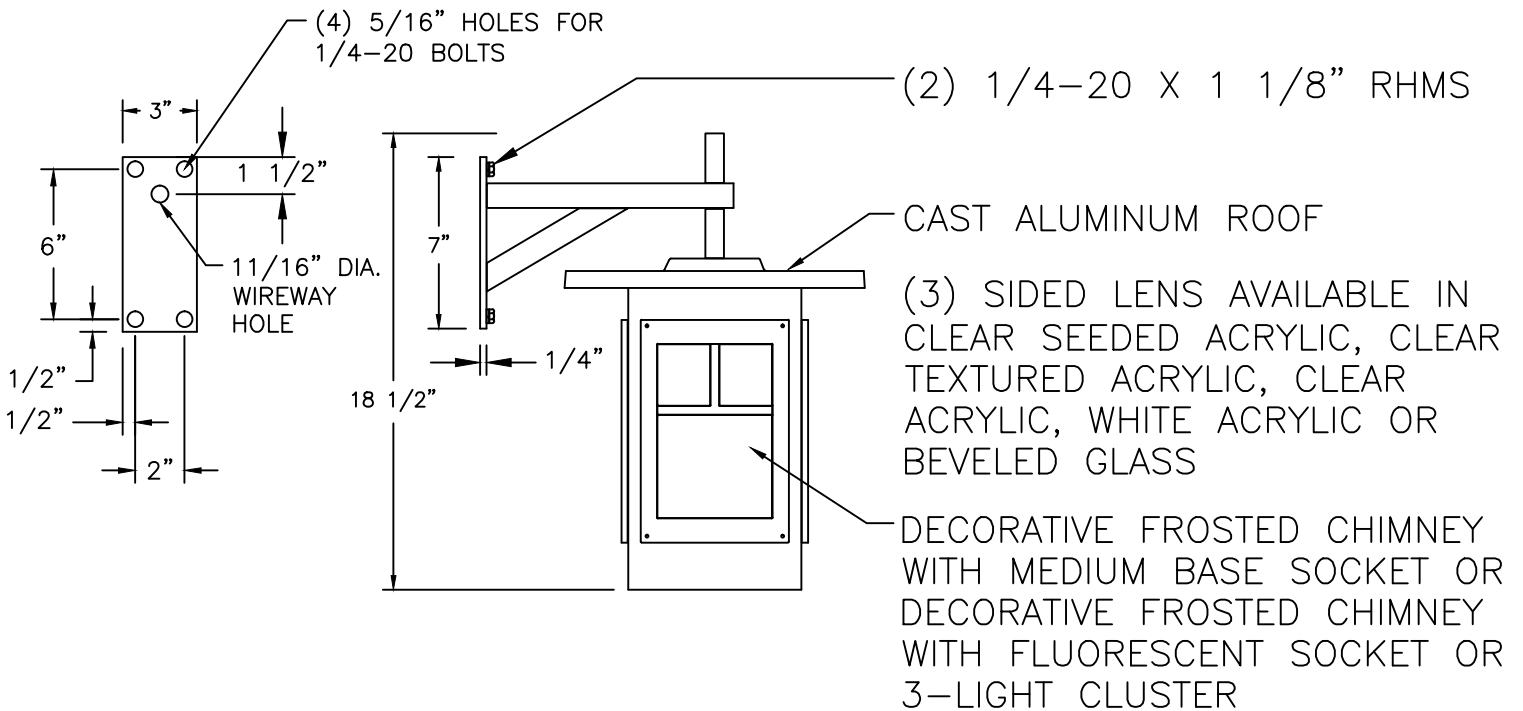
3/16"=1'	DRAWN	LMG
	DRAWN DATE	DEC 8 2011
		DRAWING NUMBER

770/HMA3 PRAIRIE RESIDENTIAL SERIES



ALL ELECTRICAL COMPONENTS ARE U.L. OR E.T.L. LISTED IN USA AND CANADA.

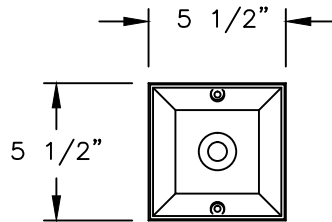
FIXTURE WILL BE PREWIRED AND TESTED.



770/HMA3

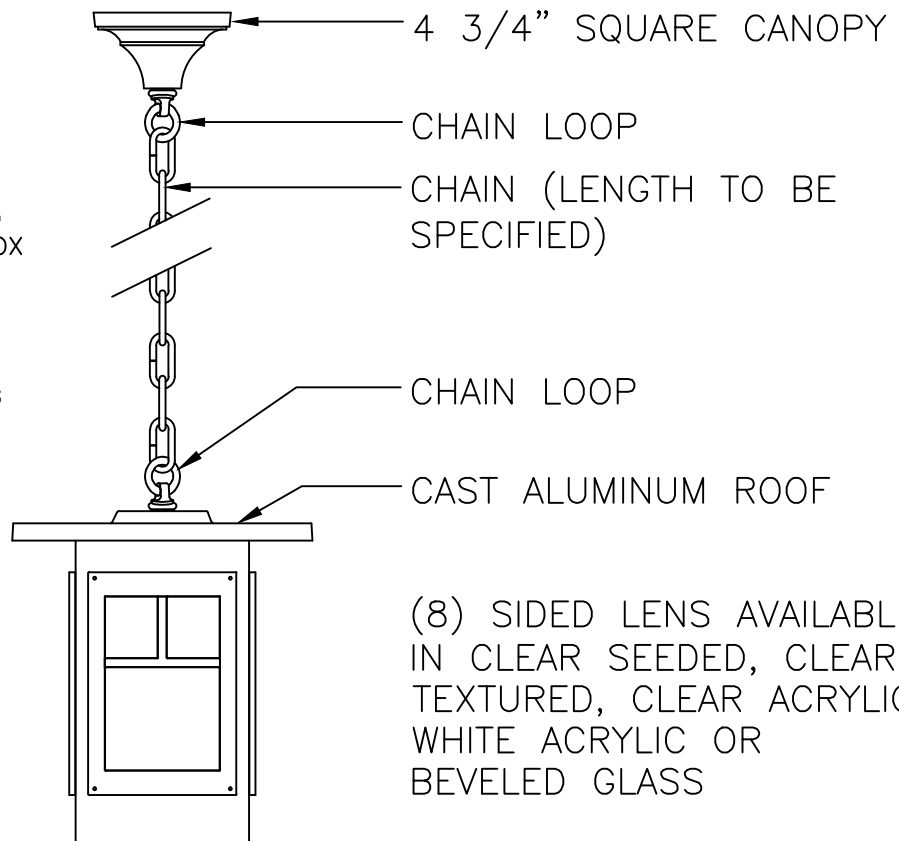
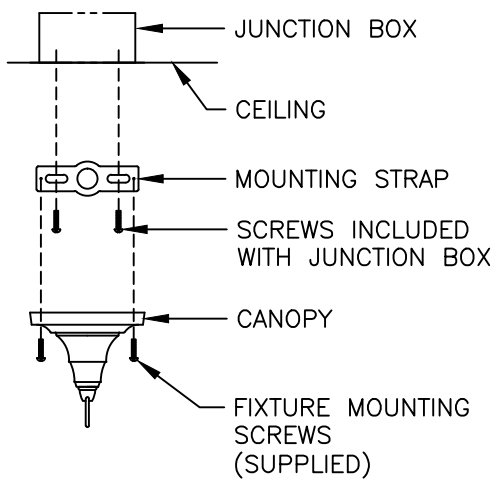
3/16"=1'	DRAWN LMG
	DRAWN DATE JAN 20 2012
DRAWING NUMBER	

770HCH27 PRAIRIE RESIDENTIAL SERIES



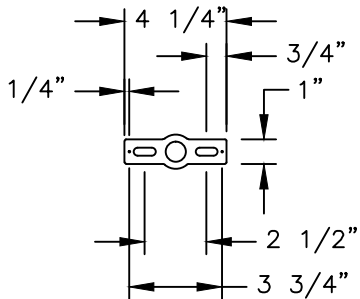
ALL ELECTRICAL COMPONENTS ARE U.L. OR E.T.L. LISTED IN USA AND CANADA.

FIXTURE WILL BE PREWIRED AND TESTED.



(8) SIDED LENS AVAILABLE IN CLEAR SEEDED, CLEAR TEXTURED, CLEAR ACRYLIC, WHITE ACRYLIC OR BEVELED GLASS

DECORATIVE FROSTED CHIMNEY WITH MEDIUM BASE SOCKET OR DECORATIVE FROSTED CHIMNEY WITH FLUORESCENT SOCKET OR 3-LIGHT CLUSTER



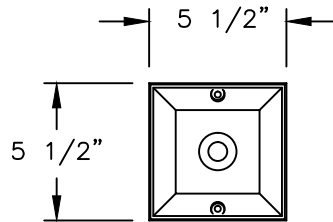
MOUNTING STRAP



770HCH27

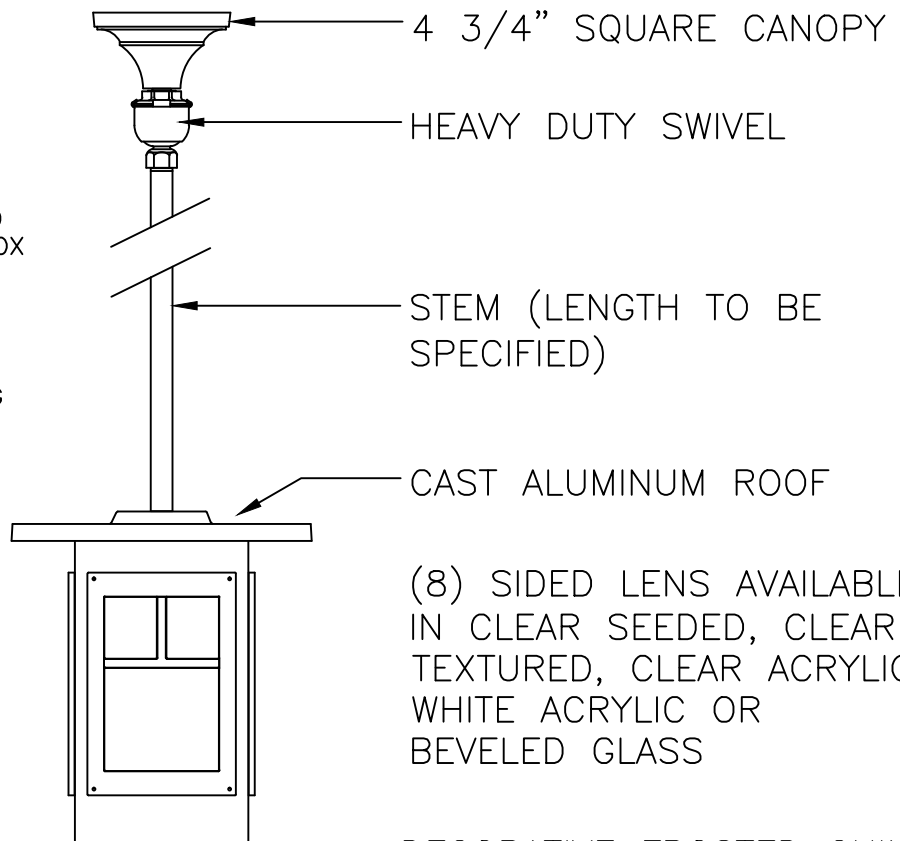
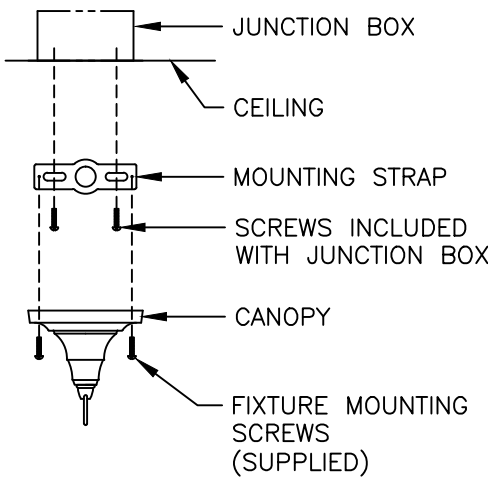
3/16"=1'	DRAWN	LMG
	DRAWN DATE	NOV 29 2011
		DRAWING NUMBER

770HSH27 PRAIRIE RESIDENTIAL SERIES



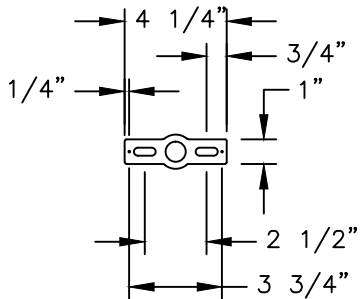
ALL ELECTRICAL COMPONENTS ARE U.L. OR E.T.L. LISTED IN USA AND CANADA.

FIXTURE WILL BE PREWIRED AND TESTED.



(8) SIDED LENS AVAILABLE IN CLEAR SEEDED, CLEAR TEXTURED, CLEAR ACRYLIC, WHITE ACRYLIC OR BEVELED GLASS

DECORATIVE FROSTED CHIMNEY WITH MEDIUM BASE SOCKET OR DECORATIVE FROSTED CHIMNEY WITH FLUORESCENT SOCKET OR 3-LIGHT CLUSTER



MOUNTING STRAP



770HSH27

3/16"=1'	DRAWN	LMG
	DRAWN DATE	NOV 29 2011
		DRAWING NUMBER