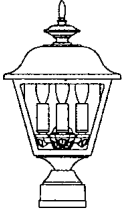

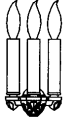



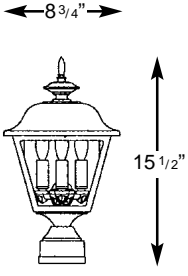
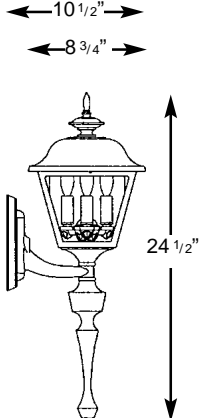
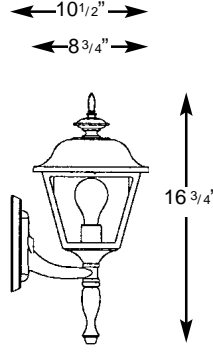
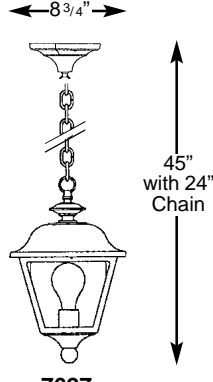
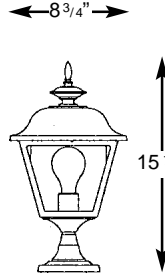


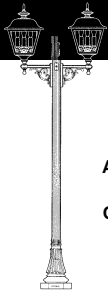
7600 NANTUCKET RESIDENTIAL SERIES SPECIFICATIONS

FIXTURES	SOCKET TYPE			BB BALLAST BOX
				879BB - Medium Scale for up to 50 watt ballasts  27BB - Hanging or Pier for up to 70 watt ballasts 
7630	MED Single Medium Base Socket	3L Three Light Cluster Candelabra Socket Assembly	CF Compact Fluorescent	

FIXTURES				
				
7630*	7615	7614	7627	7635

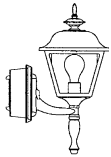
NOTE: 7600 Series requires ballast box
 Add 2' to 4" on extensions for ballast box.
 3 Lite cluster is 25 watt max lamp per socket.
 *Remote ballast box required if HID or CF.

BUILDING A PART NUMBER



POST & ARM FIXTURES

ARM MOUNTED FIXTURE NO. OF ARMS	CENTER POST TOP FIXTURE (PT) FIXTURE	POST	POST CAP	LIGHT SOURCE BALLAST	OPTICS	OPTIONS	LENS	FINISH
2	7630/78PM	3412FP5	FCC	50HPS120		HPS50/MED	CSA	BK



WALL FIXTURES

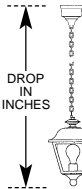
FIXTURE / WALL BRACKET	LIGHT SOURCE BALLAST	OPTICS	OPTIONS	LENS	FINISH
7614/879BB	50HPS120		HPS50/MED	CTA	BK



PIER FIXTURES
Uses same information boxes as wall fixture

7635/MED

FIXTURE / PIER BASE



HANGING FIXTURES

FIXTURE / HANGING BRACKET	OVERALL DROP IN INCHES	LIGHT SOURCE BALLAST	OPTICS	OPTIONS	LENS	FINISH
7627/CH27BB	24 INCHES	50HPS120		HPS50/MED	CSA	BK

PART NUMBER SELECTIONS

FIXTURES¹

- 7614
- 7615
- 7627
- 7630
- 7635

LENSES

- BG
- CSA
- CTA
- CA
- WA

LAMPS⁸

- HPS35/MED
- HPS50/MED
- HPS70/MED
- MHP50/MED
- MHP70/MED
- PLT26
- PLT32
- PLT42

BALLASTS^{1,4}

- 35HPS²
- 50HPS
- 70HPS
- 50MHP
- 70MHP
- 26PLT
- 32PLT
- 42PLT
- INCAND
(100 watt max.)

BB - BALLAST BOX

- 879BB - Medium Scale for up to 50 watt ballasts
- 27BB - Hanging or Pier for up to 70 watt ballasts

FINISHES STANDARD

- BKT Black Textured
- BK Black
- VG Verde Green
- PGT Park Green Textured
- PG Park Green
- ABZT Architectural Medium Bronze Textured
- ABZ Architectural Medium Bronze
- SI Swedish Iron
- DBT Dark Bronze Textured
- DB Dark Bronze
- OWGT Old World Gray Textured
- OWG Old World Gray

FINISHES CUSTOM

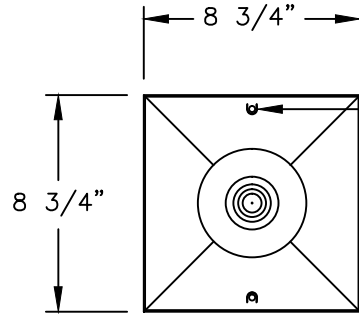
- WHT White Textured
- WH White
- CV Copper Vein
- WBK Weathered Black
- WBR Weathered Brown
- CD Cedar
- RT Rust
- OI Old Iron
- TT Two Tone
- CM Custom Match

NOTES:

- Pole mounted fixtures - requires ballast to be mounted in pole base.
- Wall mounted fixtures - requires wall bracket arms with ballast box.
- Pier mounted fixtures - require PB27BB if ballasted.
- Hanging fixtures - require CH/SH27BB if ballasted.
- 35HPS is 120 volt only.
- Medium base socket only when used to house lamp.
- Medium base sockets standard with HID ballasts. 4-pin for PL.
- Metal halide systems are pulse start.

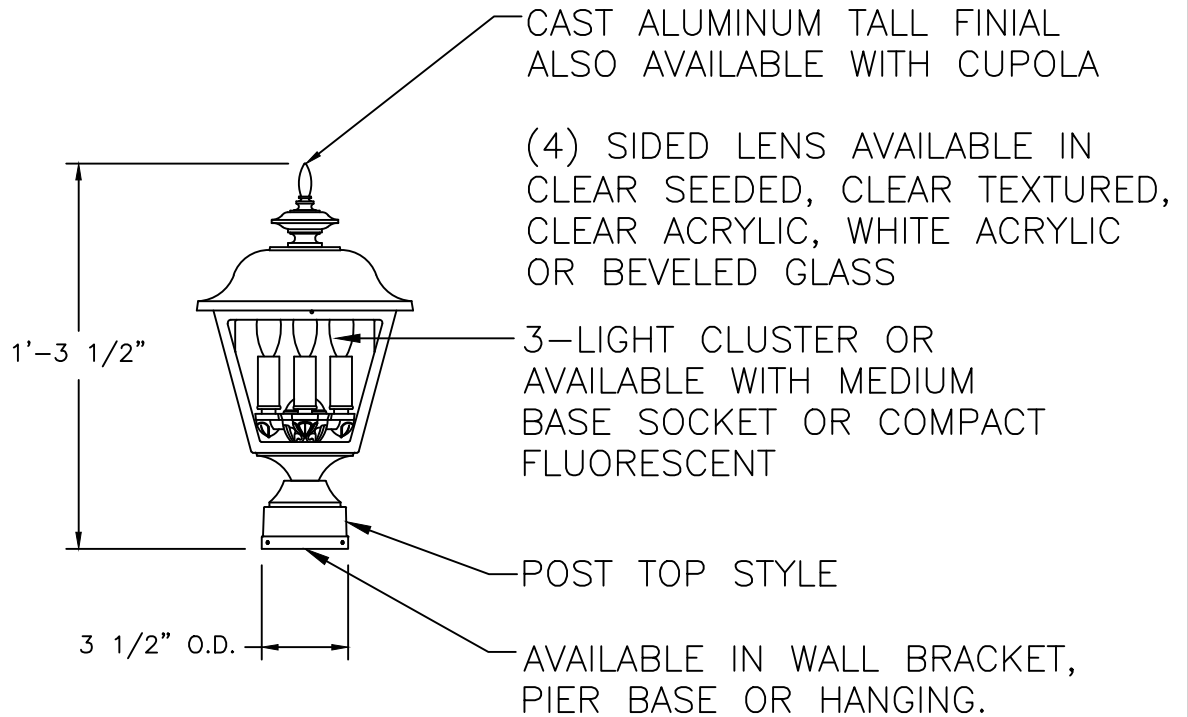
7630 NANTUCKET RESIDENTIAL SERIES

ALL ELECTRICAL COMPONENTS ARE U.L. OR E.T.L. LISTED IN USA AND CANADA.



ROOF SECURED WITH (2) 10-24 X 1/2" KNURLED THUMB SCREWS

FIXTURE WILL BE PREWIRED AND TESTED. MOUNTING HARDWARE IS SUPPLIED.



CAST ALUMINUM TALL FINIAL ALSO AVAILABLE WITH CUPOLA

(4) SIDED LENS AVAILABLE IN CLEAR SEEDED, CLEAR TEXTURED, CLEAR ACRYLIC, WHITE ACRYLIC OR BEVELED GLASS

3-LIGHT CLUSTER OR AVAILABLE WITH MEDIUM BASE SOCKET OR COMPACT FLUORESCENT

POST TOP STYLE

AVAILABLE IN WALL BRACKET, PIER BASE OR HANGING.

∅3 1/8" I.D. OPENING TO SLIP 3" OD X 1 1/2" TALL TENON



SECURED WITH SET SCREWS



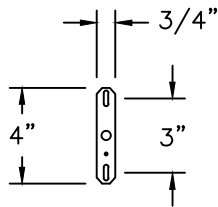
7630

3/16"=1'	DRAWN	LMG
	DRAWN DATE	JUN 17 2011
		DRAWING NUMBER

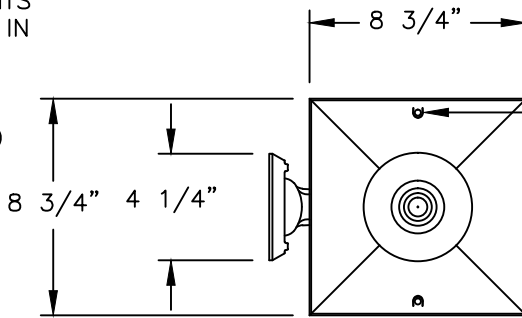
7615 NANTUCKET RESIDENTIAL SERIES

ALL ELECTRICAL COMPONENTS ARE U.L. OR E.T.L. LISTED IN USA AND CANADA.

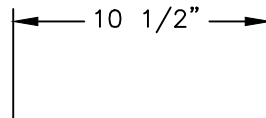
FIXTURE WILL BE PREWIRED AND TESTED. MOUNTING HARDWARE IS SUPPLIED.



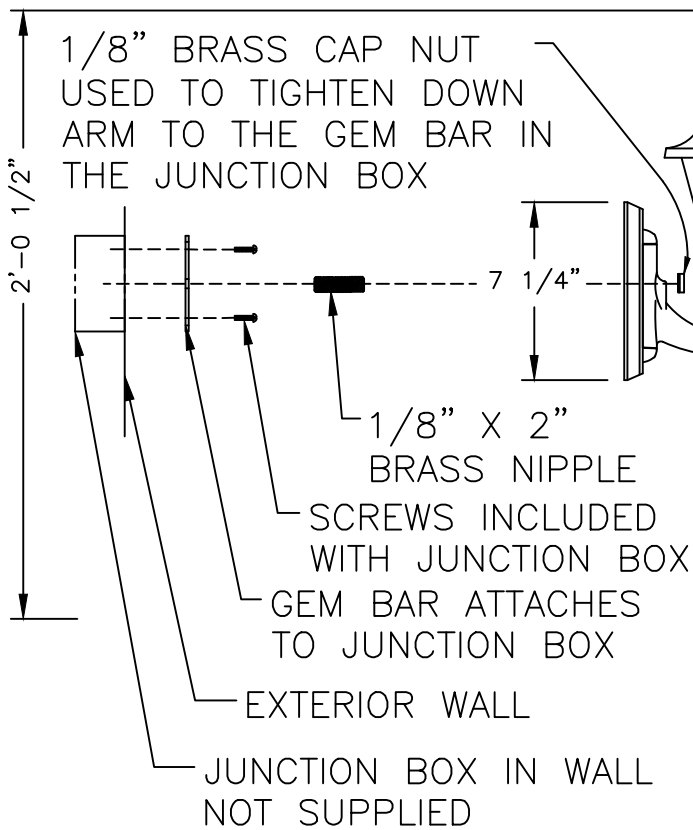
GEM BAR



ROOF SECURED WITH (2) 10-24 X 1/2" KNURLED THUMB SCREWS



CAST ALUMINUM TALL FINIAL ALSO AVAILABLE WITH CUPOLA



(4) SIDED LENS AVAILABLE IN CLEAR SEEDED, CLEAR TEXTURED, CLEAR ACRYLIC, WHITE ACRYLIC OR BEVELED GLASS

3-LIGHT CLUSTER, ALSO AVAILABLE WITH MEDIUM BASE SOCKET, OR COMPACT FLUORESCENT

CAST LONG FONT ALSO AVAILABLE WITH SHORTER FONT OR CAST BALL



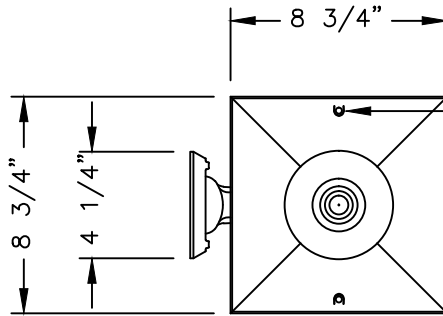
7615

3/16"=1'	DRAWN LMG
	DRAWN DATE JUN 22 2011
DRAWING NUMBER	

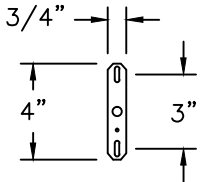
7614 NANTUCKET RESIDENTIAL SERIES

ALL ELECTRICAL COMPONENTS ARE U.L. OR E.T.L. LISTED IN USA AND CANADA.

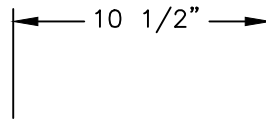
FIXTURE WILL BE PREWIRED AND TESTED. MOUNTING HARDWARE IS SUPPLIED.



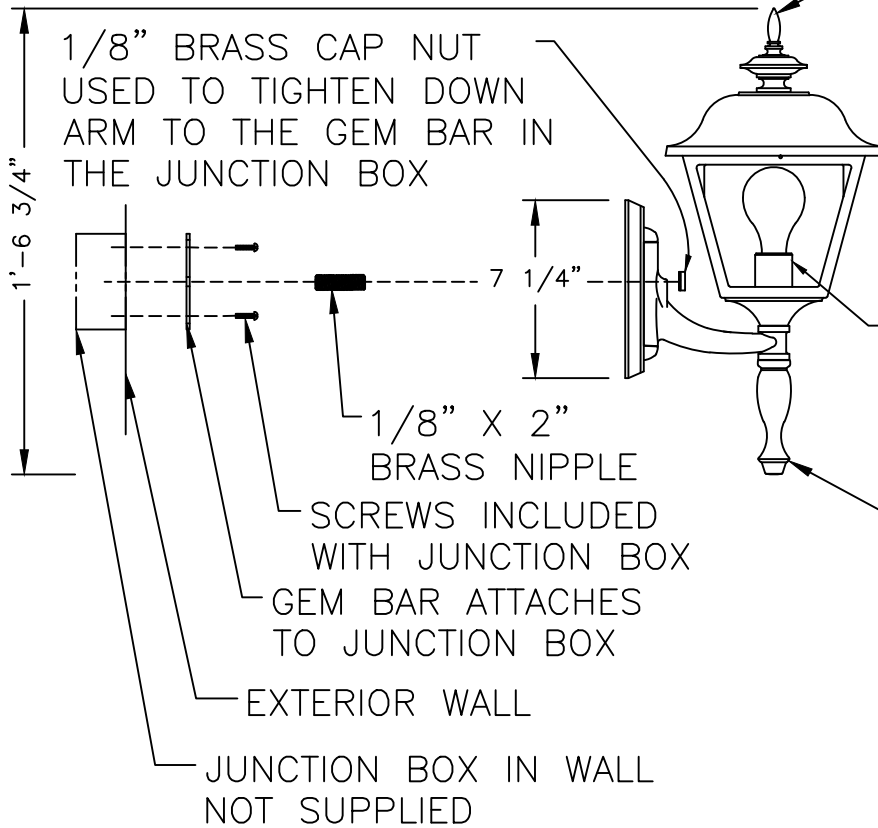
ROOF SECURED WITH (2) 10-24 X 1/2" KNURLED THUMB SCREWS



GEM BAR



CAST ALUMINUM FINIAL



(4) SIDED LENS AVAILABLE IN CLEAR SEEDED, CLEAR TEXTURED, CLEAR ACRYLIC, WHITE ACRYLIC OR BEVELED GLASS

MEDIUM BASE SOCKET, ALSO AVAILABLE WITH COMPACT FLUORESCENT OR 3 LIGHT CLUSTER

CAST SHORT FONT ALSO AVAILABLE WITH LONG FONT OR CAST BALL



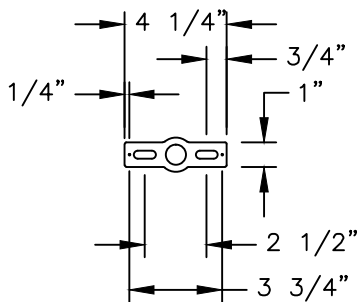
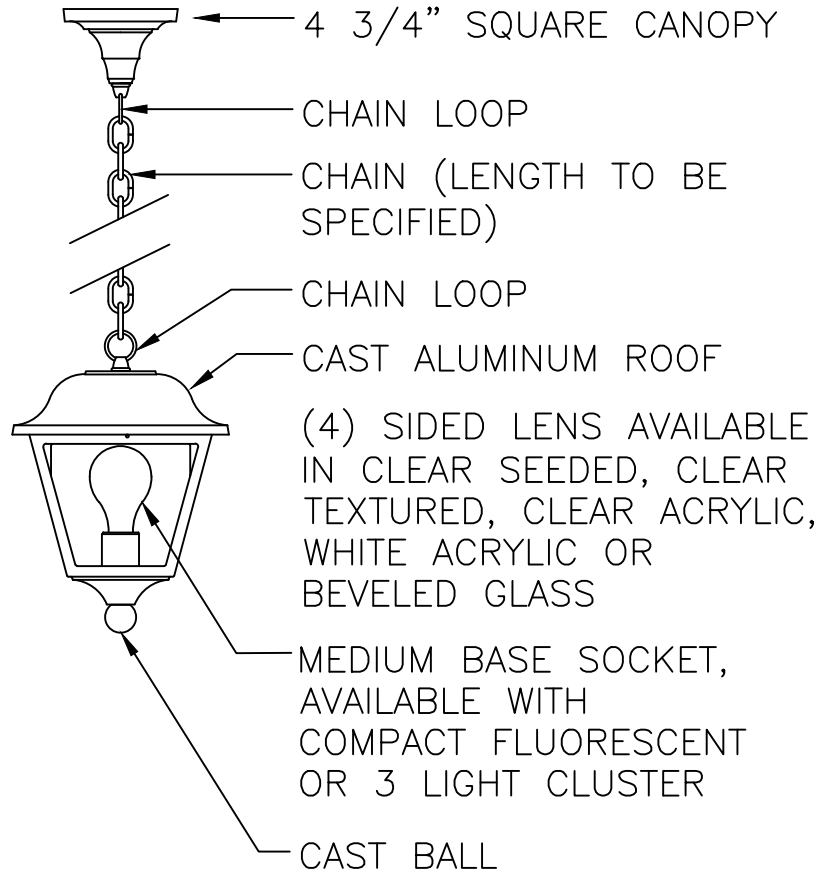
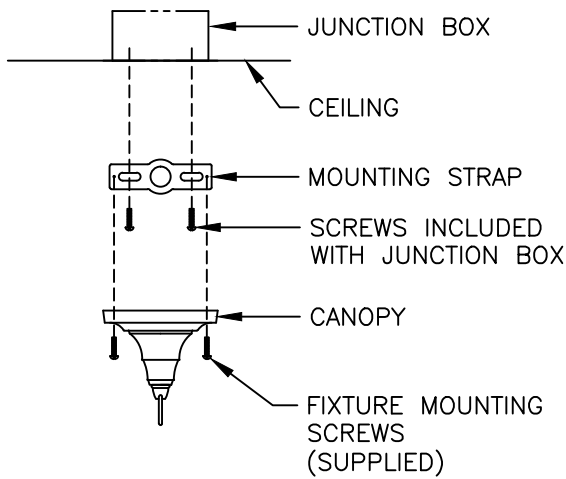
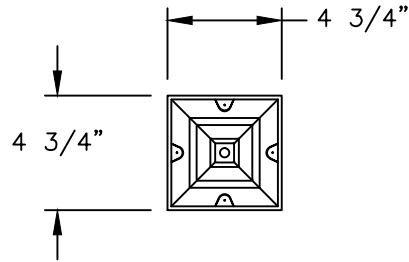
7614

3/16"=1'	DRAWN	LMG
	DRAWN DATE	JUN 22 2011
		DRAWING NUMBER

7627 NANTUCKET RESIDENTIAL SERIES

ALL ELECTRICAL COMPONENTS ARE U.L. OR E.T.L. LISTED IN USA AND CANADA.

FIXTURE WILL BE PREWIRED AND TESTED.



MOUNTING STRAP

STERNBERG
SINCE 1923

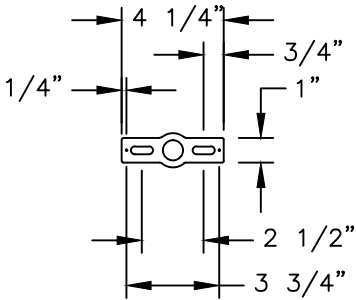
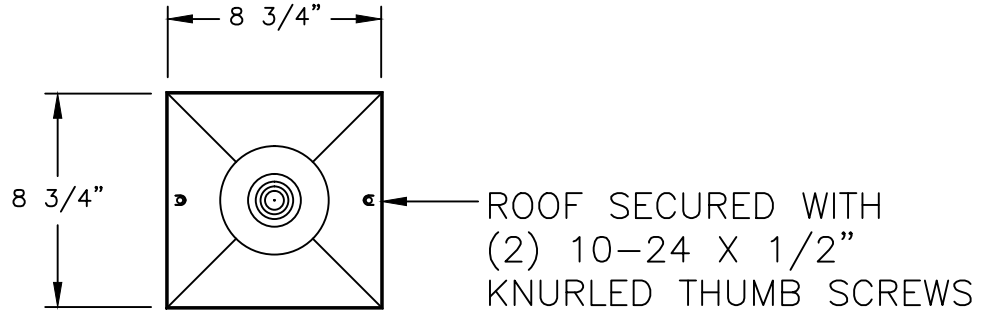
7627

3/16"=1'	DRAWN	LMG
	DRAWN DATE	JUN 22 2011
		DRAWING NUMBER

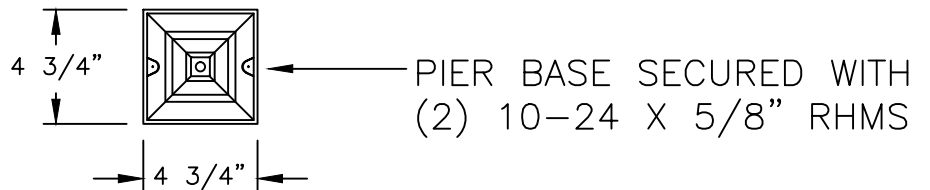
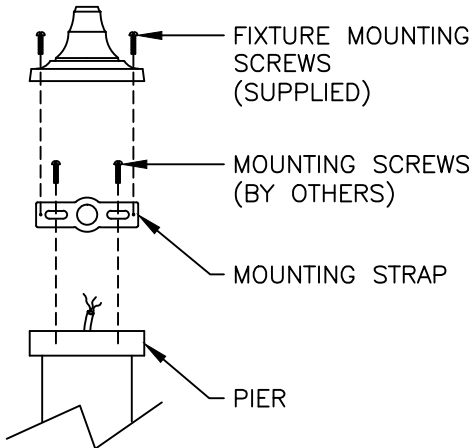
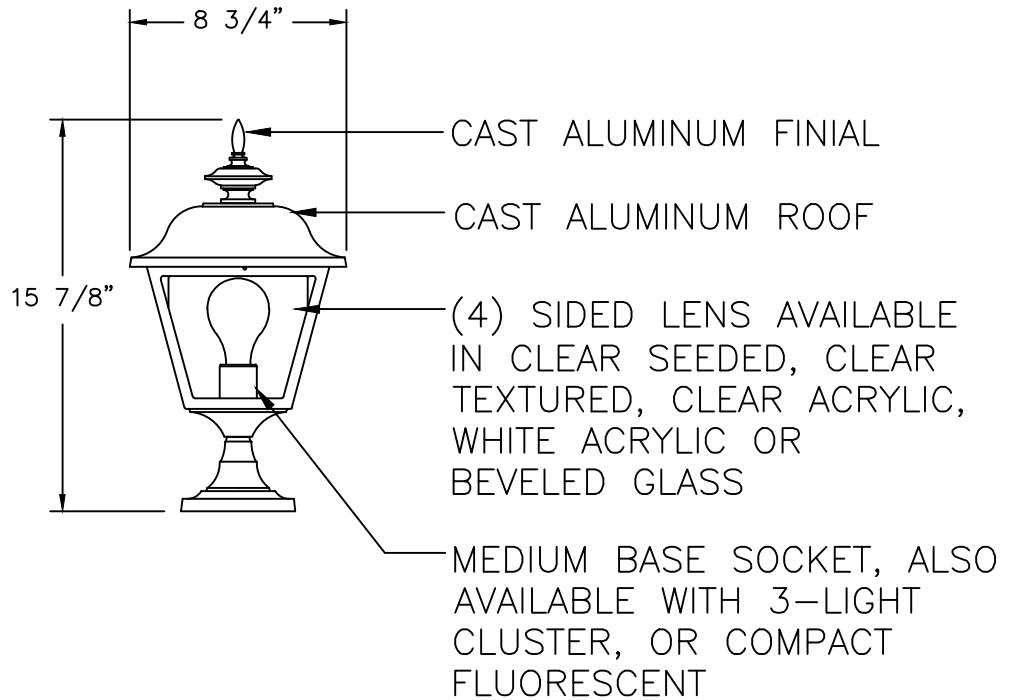
7635 NANTUCKET RESIDENTIAL SERIES

ALL ELECTRICAL COMPONENTS ARE U.L. OR E.T.L. LISTED IN USA AND CANADA.

FIXTURE WILL BE PREWIRED AND TESTED. MOUNTING HARDWARE IS SUPPLIED.



MOUNTING STRAP



7635

3/16"=1'	DRAWN LMG
	DRAWN DATE JUN 29 2011
DRAWING NUMBER	