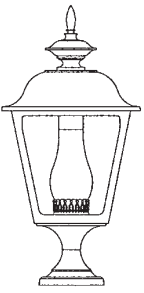

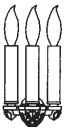




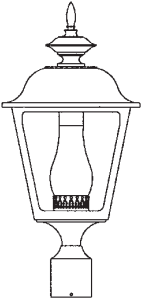
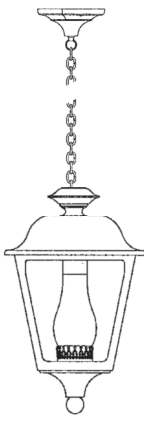
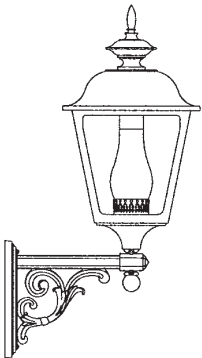
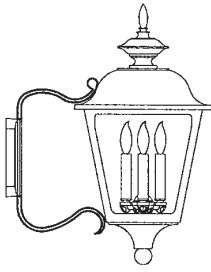
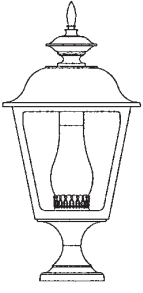


# 7500TF NANTUCKET RESIDENTIAL SERIES SPECIFICATIONS

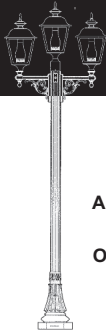
FIXTURES	SOCKET TYPE		OPTICAL SYSTEMS		BB BALLAST BOX	
						<b>78BB</b> - Large Scale for up to 150 watt ballasts <b>28BB</b> - Hanging or Pier for up to 150 watt ballasts <b>27BB</b> - Hanging or Pier for up to 100 watt ballasts
<b>7526TF</b>	<b>MED</b> Single Medium Base Socket	<b>3L</b> Three Light Cluster Candelabra Socket Assembly	<b>CF</b> Compact Fluorescent	<b>FHC</b> Frosted Hurricane Chimney	<b>RE3</b> <b>RE5</b> Refractor Type 3 and Type 5	

FIXTURES				
				
<b>7543TF</b>	<b>7507</b>	<b>7536TF</b>	<b>7517TF</b>	<b>7526TF</b>

Dimensions shown in diagram:  
 - 7543TF: 12" width, 25 1/2" height  
 - 7507: 12" width, 66" height with 36" chain  
 - 7536TF: 16 3/4" width, 12" depth, 30 7/16" height  
 - 7517TF: 17 3/4" width, 12" depth, 21" height  
 - 7526TF: 12" width, 24 1/4" height

NOTE: 7500 Series requires ballast box  
 Add 2' to 4" on extensions for ballast box.  
 3 Lite cluster is 25 watt max lamp per socket.  
 \*Remote ballast box required if HID or CF.

# BUILDING A PART NUMBER



## POST & ARM FIXTURES

ARM MOUNTED FIXTURE NO. OF ARMS	CENTER POST TOP FIXTURE (PT) FIXTURE	POST	POST CAP	LIGHT SOURCE BALLAST WATTS / TYPE / VOLTS	OPTICS	OPTIONS	LENS	FINISH	
2	7543TF/78PM	7543T/FPT	3412FP5	FCC	100HPS120	RE3	HPS100/MED	CA	BKT

## WALL FIXTURES



FIXTURE / WALL BRACKET	LIGHT SOURCE BALLAST WATTS / TYPE / VOLTS	OPTICS	OPTIONS	LENS	FINISH
7536TF/80WBBB	100HPS120	FC	HPS100/MED	CTA	BKT



**PIER FIXTURES**  
Uses same information boxes as wall fixture

7526TF/FC

FIXTURE / PIER BASE

## HANGING FIXTURES



FIXTURE / HANGING BRACKET	OVERALL DROP IN INCHES	LIGHT SOURCE BALLAST WATTS / TYPE / VOLTS	OPTICS	OPTIONS	LENS	FINISH
7507/CH28BB	36 INCHES	100 HPS120	RE3	HPS100/MED	CA	BKT

## PART NUMBER SELECTIONS

### FIXTURES<sup>1</sup>

- 7507
- 7517TF
- 7526TF
- 7736TF
- 7543TF

### OPTICS

- RE3
- RE5
- FHC
- MED
- 3L
- CF

### LENSES

- BG
- CSA
- CTA
- CA
- WA

### OPTIONS

- LAMPS  
Select from List
- BE - Brass Eagle
- BP - Brass Package

### LAMPS<sup>5</sup>

- HPS35/MED
- HPS50/MED
- HPS70/MED
- HPS100/MED
- HPS150/MED
- MHP50/MED
- MHP70/MED
- MHP100/MED
- MHP150/MED
- PLT26
- PLT32
- PLT42
- PLT57

### BALLASTS<sup>1,4</sup>

- 35HPS<sup>2</sup>
- 50HPS
- 70HPS
- 100HPS
- 150HPS
- 50MHP
- 70MHP
- 100MHP
- 150MHP
- 26PLT
- 32PLT
- 42PLT
- 57PLT
- INCAND  
(150 watt max.)

### BB - BALLAST BOX

- 78BB - Large Scale for up to 150 watt ballasts
- 28BB - Hanging or Pier for up to 150 watt ballasts
- 27BB - Hanging or Pier for up to 100 watt ballasts

### STANDARD FINISHES\*

- BKT Black Textured
- WHT White Textured
- PGT Park Green Textured
- ABZT Architectural Medium Bronze Textured
- DBT Dark Bronze Textured

\*Smooth Finishes are available upon request

### CUSTOM FINISHES

- OI Old Iron
- RT Rust
- WBR Weathered Brown
- CD Cedar
- WBK Weathered Black
- TT Two Tone

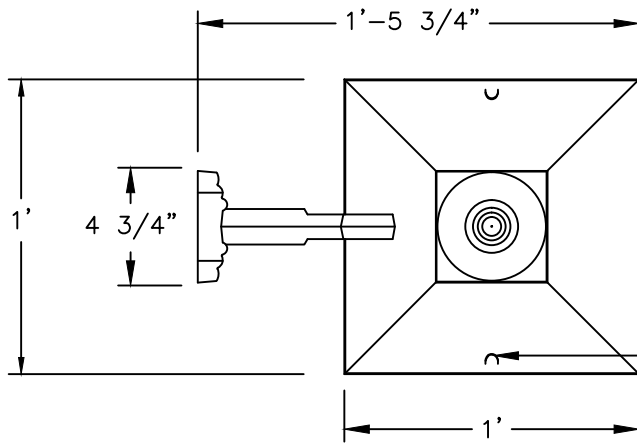
### STERNBERG SELECT FINISHES

- VG Verde Green
- SI Swedish Iron
- OWGT Old World Gray Textured

### Notes:

- <sup>1</sup> Pole mounted fixtures - requires ballast to be mounted in pole base.
- <sup>1</sup> Wall mounted fixtures - requires wall bracket arms with ballast box.
- <sup>1</sup> Pier mounted fixtures - require PB28BB or PB27BB if ballasted.
- <sup>1</sup> Hanging fixtures - require CH/SH28BB or CH/SH27BB if ballasted.
- <sup>2</sup> 35HPS is 120 volt only.
- <sup>3</sup> Medium base socket only when used to house lamp.
- <sup>4</sup> Medium base sockets standard with HID ballasts. 4-pin for PL.
- <sup>5</sup> Metal halide systems are pulse start.

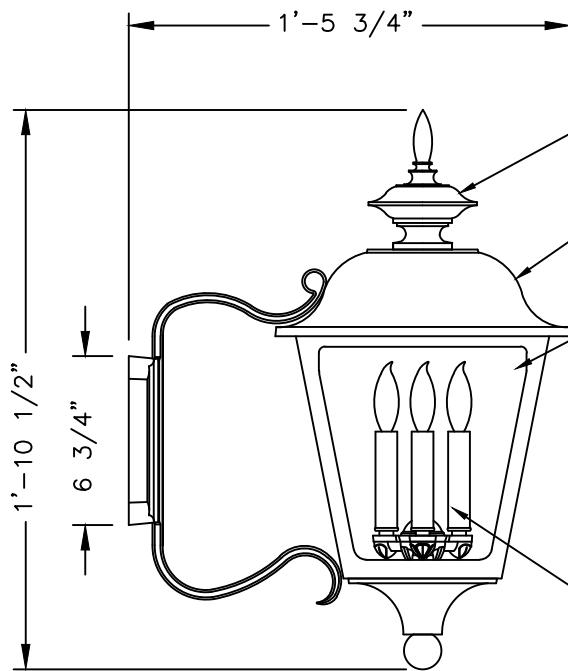
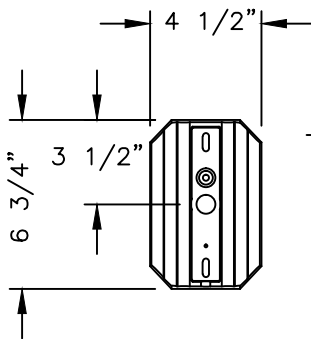
# 7517TF NANTUCKET RESIDENTIAL SERIES



ALL ELECTRICAL COMPONENTS ARE U.L. OR E.T.L. LISTED IN USA AND CANADA.

FIXTURE WILL BE PREWIRED AND TESTED.

ROOF SECURED WITH (2) 10-24 X 1/2" KNURLED THUMB SCREWS



CAST ALUMINUM TALL FINIAL ALSO AVAILABLE WITH CUPOLA

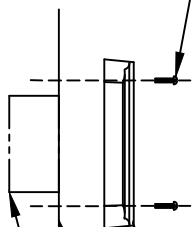
CAST ALUMINUM ROOF

LENS AVAILABLE IN CLEAR SEED, CLEAR TEXTURED, CLEAR ACRYLIC, WHITE ACRYLIC OR BEVELED GLASS

DECORATIVE FROSTED CHIMNEY WITH MEDIUM BASE SOCKET OR DECORATIVE FROSTED CHIMNEY WITH FLUORESCENT SOCKET OR 3-LIGHT CLUSTER OR GLASS REFRACTOR

CAST BALL

MOUNTING HARDWARE BY OTHERS



WALL BRACKET

EXTERIOR WALL

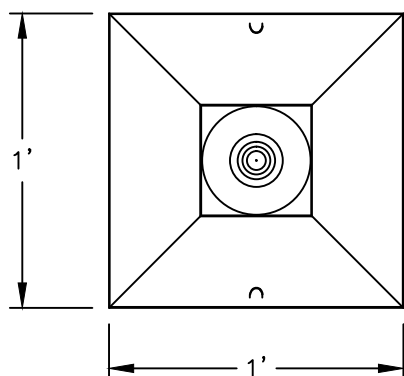
JUNCTION BOX IN WALL NOT SUPPLIED



7517TF

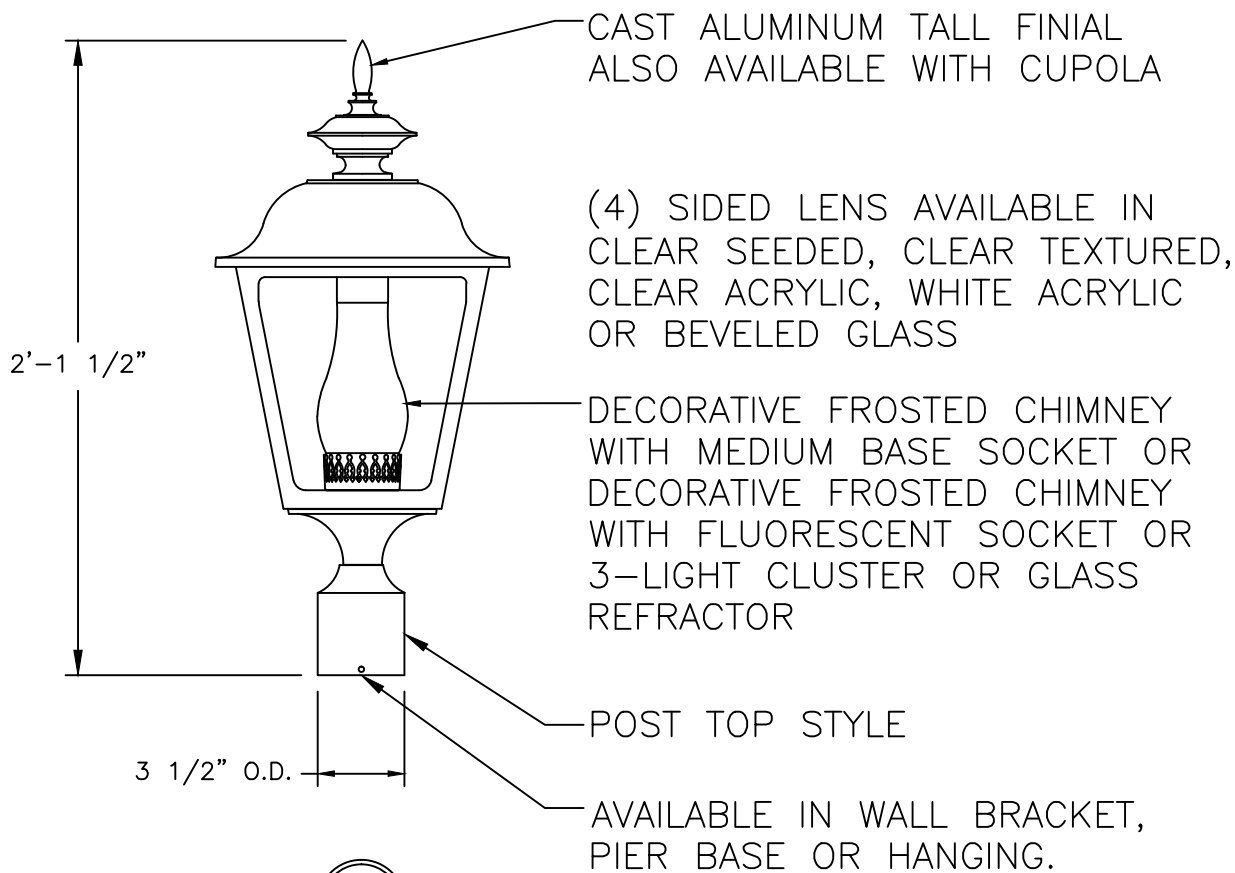
3/16"=1'	DRAWN LMG
	DRAWN DATE JUN 7 2011
DRAWING NUMBER	

# 7543TF NANTUCKET RESIDENTIAL SERIES



ALL ELECTRICAL COMPONENTS ARE U.L. OR E.T.L. LISTED IN USA AND CANADA.

FIXTURE WILL BE PREWIRED AND TESTED. MOUNTING HARDWARE IS SUPPLIED.



SLIPS 3" OD X 3" TALL TENON

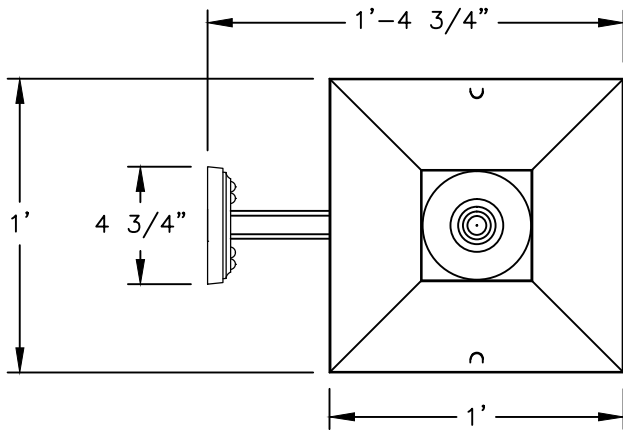
SECURED WITH SET SCREWS



7543TF

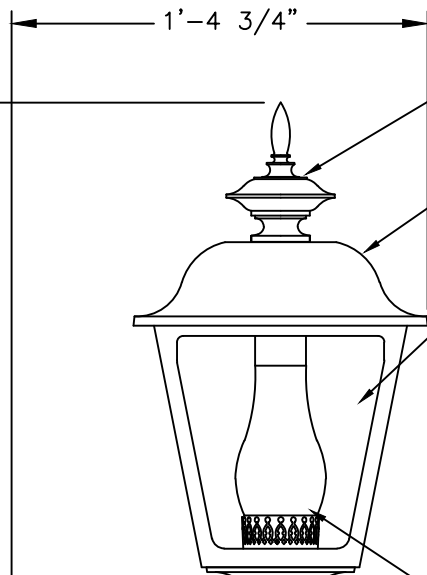
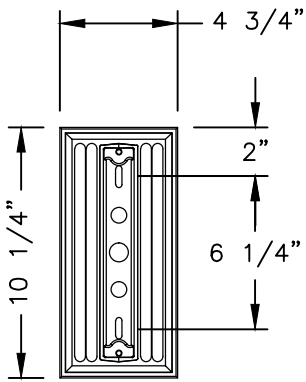
3/16"=1'	DRAWN LMG
	DRAWN DATE JUN 7 2011
DRAWING NUMBER	

# 7536TF NANTUCKET RESIDENTIAL SERIES



ALL ELECTRICAL COMPONENTS ARE U.L. OR E.T.L. LISTED IN USA AND CANADA.

FIXTURE WILL BE PREWIRED AND TESTED.



CAST ALUMINUM TALL FINIAL ALSO AVAILABLE WITH CUPOLA

CAST ALUMINUM ROOF

LENS AVAILABLE IN CLEAR SEEDED, CLEAR TEXTURED, CLEAR ACRYLIC, WHITE ACRYLIC OR BEVELED GLASS

DECORATIVE FROSTED CHIMNEY WITH MEDIUM BASE SOCKET OR DECORATIVE FROSTED CHIMNEY WITH FLUORESCENT SOCKET OR 3-LIGHT CLUSTER OR GLASS REFRACTOR

CAST BALL

(2) 1/4-20 X 1 1/8" RHMS

MOUNTING HARDWARE BY OTHERS

WALL BRACKET

EXTERIOR WALL

JUNCTION BOX IN WALL NOT SUPPLIED



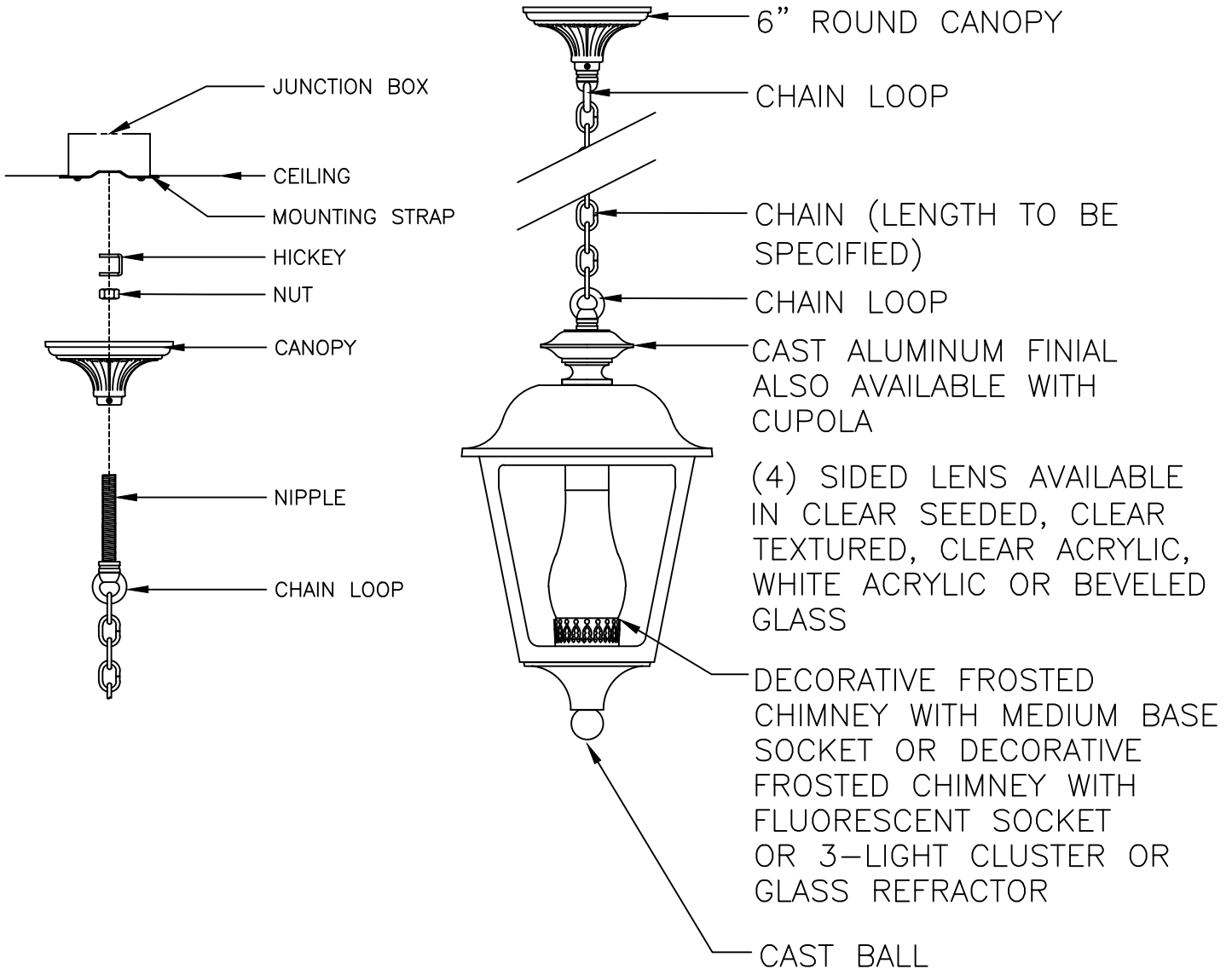
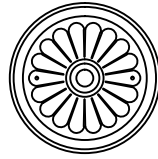
7536TF

3/16"=1'	DRAWN LMG
	DRAWN DATE JUN 7 2011
	DRAWING NUMBER

# 7507 NANTUCKET RESIDENTIAL SERIES

ALL ELECTRICAL COMPONENTS ARE U.L. OR E.T.L. LISTED IN USA AND CANADA.

FIXTURE WILL BE PREWIRED AND TESTED. MOUNTING HARDWARE IS SUPPLIED.



**STERNBERG**  
SINCE 1923

7507

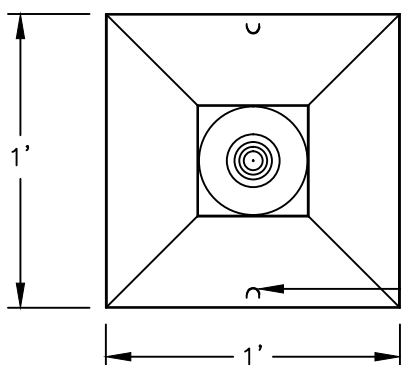
3/16"=1'

DRAWN LMG  
DRAWN DATE JUL 1 2011  
DRAWING NUMBER

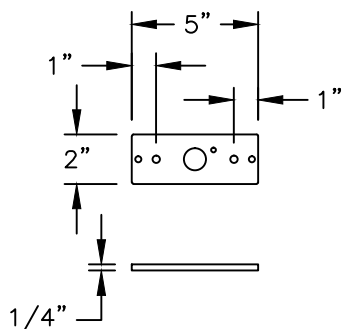
# 7526TF NANTUCKET RESIDENTIAL SERIES

ALL ELECTRICAL COMPONENTS ARE U.L. OR E.T.L. LISTED IN USA AND CANADA.

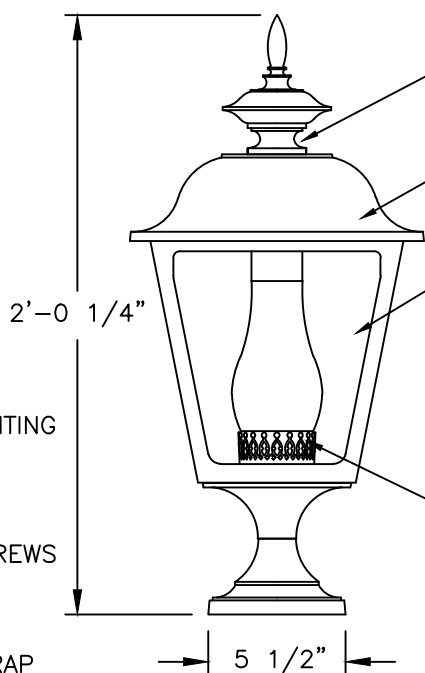
FIXTURE WILL BE PREWIRED AND TESTED.



ROOF SECURED WITH (2) 10-24 X 1/2" KNURLED THUMB SCREWS



MOUNTING STRAP

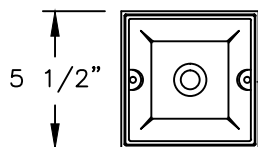
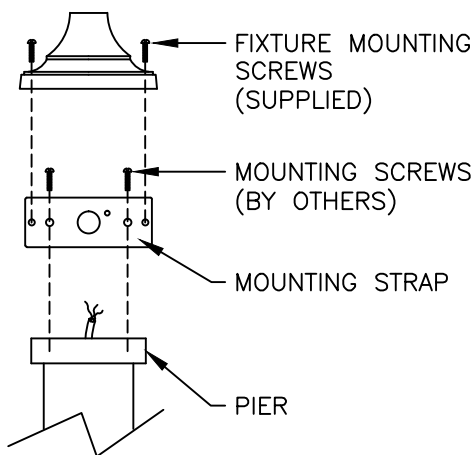


CAST ALUMINUM TALL FINIAL ALSO AVAILABLE WITH CUPOLA

CAST ALUMINUM ROOF

LENS AVAILABLE IN CLEAR SEEDED, CLEAR TEXTURED, CLEAR ACRYLIC, WHITE ACRYLIC OR BEVELED GLASS

DECORATIVE FROSTED CHIMNEY WITH MEDIUM BASE SOCKET OR DECORATIVE FROSTED CHIMNEY WITH FLUORESCENT SOCKET OR 3-LIGHT CLUSTER OR GLASS REFRACTOR



PIER BASE SECURED WITH (2) 1/4-20 X 3/4" RHMS



7526TF

3/16"=1'	DRAWN LMG
	DRAWN DATE JUN 8 2011
DRAWING NUMBER	