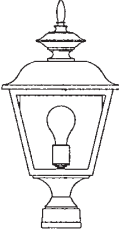

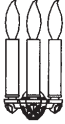






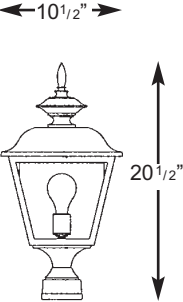
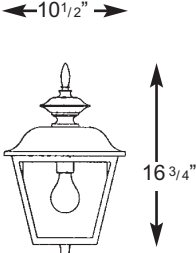
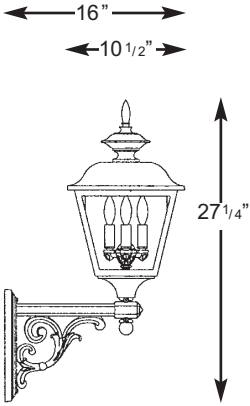
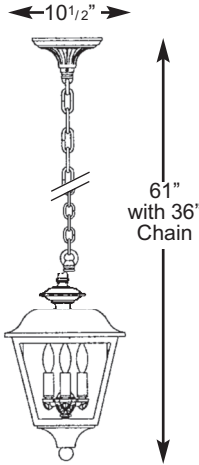
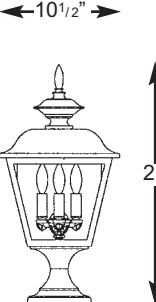


7300TF NANTUCKET RESIDENTIAL SERIES SPECIFICATIONS

FIXTURES	SOCKET TYPE		OPTICAL SYSTEMS		BB BALLAST BOX	
						78BB - Large Scale for up to 150 watt ballasts  28BB - Hanging or Pier for up to 150 watt ballasts  27BB - Hanging or Pier for up to 100 watt ballasts 
7323TF	MED Single Medium Base Socket	3L Three Light Cluster Candelabra Socket Assembly	CF Compact Fluorescent	FHC Frosted Hurricane Chimney	RE3G-SM RE5G-SM Refractor Type 3 and Type 5	

FIXTURES					
					
7323TF	7316TF	7378TF	7307	7326TF	

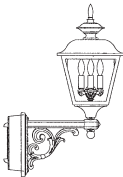
NOTE: 7300 Series requires ballast box
Add 2' to 4" on extensions for ballast box.
3 Lite cluster is 25 watt max lamp per socket.
*Remote ballast box required if HID or CF.

BUILDING A PART NUMBER



POST & ARM FIXTURES

ARM MOUNTED FIXTURE NO. OF ARMS	CENTER POST TOP FIXTURE (PT) FIXTURE	POST (See Post Section)	POST CAP	LIGHT SOURCE BALLAST WATTS / TYPE / VOLTS	OPTICS	OPTIONS	LENS	FINISH	
2	7323TF/78PM		3412FP5	FCC	50HPS120		HPS50/MED	CSA	BKT



WALL FIXTURES

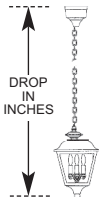
FIXTURE / WALL BRACKET	LIGHT SOURCE BALLAST WATTS / TYPE / VOLTS	OPTICS	OPTIONS	LENS	FINISH
7378TF/879BB	50HPS120		HPS50/MED	CTA	BKT



PIER FIXTURES
Uses same information boxes as wall fixture

7326 TF/3L

FIXTURE / PIER BASE



HANGING FIXTURES

FIXTURE / HANGING BRACKET	OVERALL DROP IN INCHES	LIGHT SOURCE BALLAST WATTS / TYPE / VOLTS	OPTICS	OPTIONS	LENS	FINISH
7307/CH27BB	36 INCHES	50HPS120		HPS50/MED	CSA	BKT

PART NUMBER SELECTIONS

FIXTURES¹

- 7307
- 7316TF
- 7323TF
- 7326TF
- 7378TF

OPTICS

- RE3G-SM
- RE5G-SM
- FHC
- MED
- 3L
- CF

LENSES

- BG
- CSA
- CTA
- CA
- WA

OPTIONS

- LAMPS
- Select from List
- BE - Brass Eagle
- BP - Brass Package

LAMPS⁵

- HPS35/MED
- HPS50/MED
- HPS70/MED
- HPS100/MED
- HPS150/MED
- MHP50/MED
- MHP70/MED
- MHP100/MED
- MHP150/MED
- PLT26
- PLT32
- PLT42
- PLT57

BALLASTS^{1,4}

- 35HPS²
- 50HPS
- 70HPS
- 100HPS
- 150HPS
- 50MHP
- 70MHP
- 100MHP
- 150MHP
- 26PLT
- 32PLT
- 42PLT
- 57PLT
- INCAND (150 watt max.)

BB - BALLAST BOX

- 78BB - Large Scale for up to 150 watt ballasts
- 28BB - Hanging or Pier for up to 150 watt ballasts
- 27BB - Hanging or Pier for up to 100 watt ballasts

STANDARD FINISHES*

- BKT Black Textured
- WHT White Textured
- PGT Park Green Textured
- ABZT Architectural Medium Bronze Textured
- DBT Dark Bronze Textured

*Smooth Finishes are available upon request

CUSTOM FINISHES

- OI Old Iron
- RT Rust
- WBR Weathered Brown
- CD Cedar
- WBK Weathered Black
- TT Two Tone

STERNBERG SELECT FINISHES

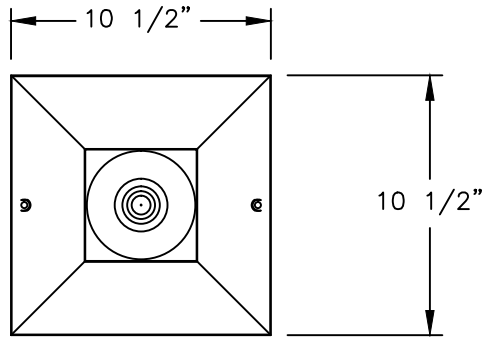
- VG Verde Green
- SI Swedish Iron
- OWGT Old World Gray Textured

NOTES:

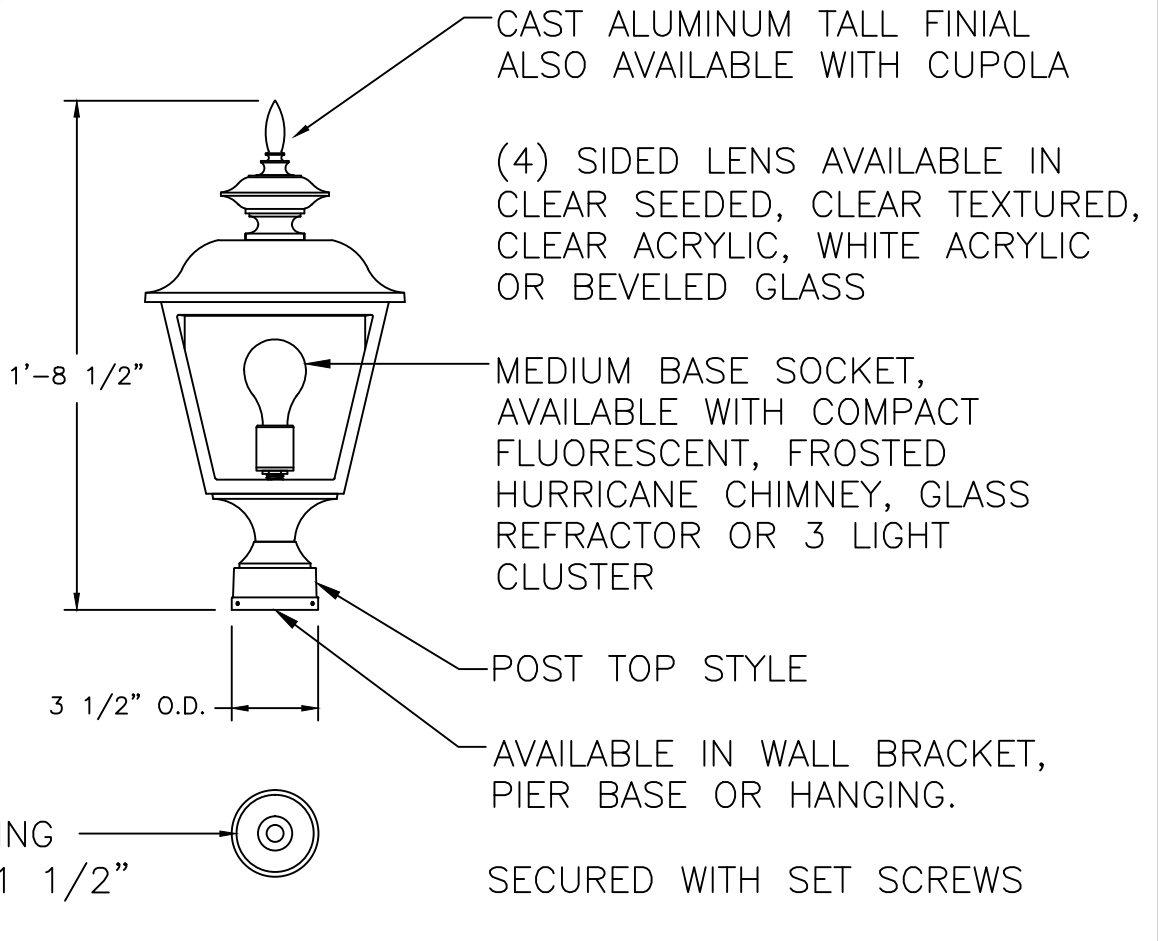
- 1 Pole mounted fixtures - requires ballast to be mounted in pole base.
- 1 Wall mounted fixtures - requires wall bracket arms with ballast box.
- 1 Pier mounted fixtures - require PB28BB or PB27BB if ballasted.
- 1 Hanging fixtures - require CH/SH28BB or CH/SH27BB if ballasted.
- 2 35HPS is 120 volt only.
- 3 Medium base socket only when used to house lamp.
- 4 Medium base sockets standard with HID ballasts. 4-pin for PL
- 5 Metal halide systems are pulse start.

7323TF NANTUCKET RESIDENTIAL SERIES

ALL ELECTRICAL COMPONENTS ARE U.L. OR E.T.L. LISTED IN USA AND CANADA.



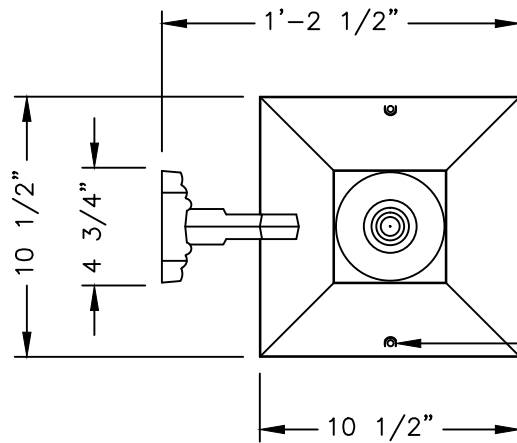
FIXTURE WILL BE PREWIRED AND TESTED. MOUNTING HARDWARE IS SUPPLIED.



7323TF

3/16"=1'	DRAWN LMG
	DRAWN DATE JUN 17 2011
DRAWING NUMBER	

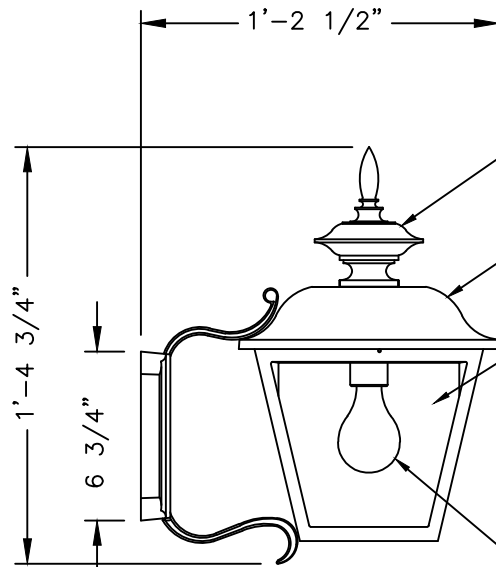
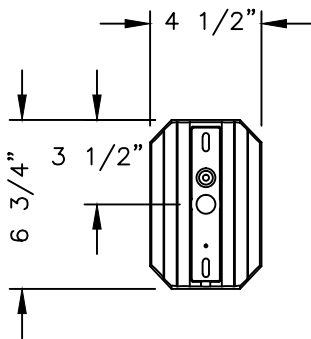
7316TF NANTUCKET RESIDENTIAL SERIES



ALL ELECTRICAL COMPONENTS ARE U.L. OR E.T.L. LISTED IN USA AND CANADA.

FIXTURE WILL BE PREWIRED AND TESTED.

ROOF SECURED WITH (2) 10-24 X 1/2" KNURLED THUMB SCREWS



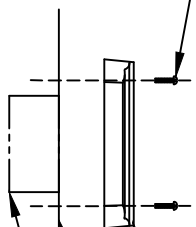
CAST ALUMINUM TALL FINIAL ALSO AVAILABLE WITH CUPOLA

CAST ALUMINUM ROOF

LENS AVAILABLE IN CLEAR SEEDED, CLEAR TEXTURED, CLEAR ACRYLIC, WHITE ACRYLIC OR BEVELED GLASS

MEDIUM BASE SOCKET, AVAILABLE WITH COMPACT FLUORESCENT, FROSTED HURRICANE CHIMNEY, GLASS REFRACTOR OR 3 LIGHT CLUSTER

MOUNTING HARDWARE BY OTHERS



WALL BRACKET

EXTERIOR WALL

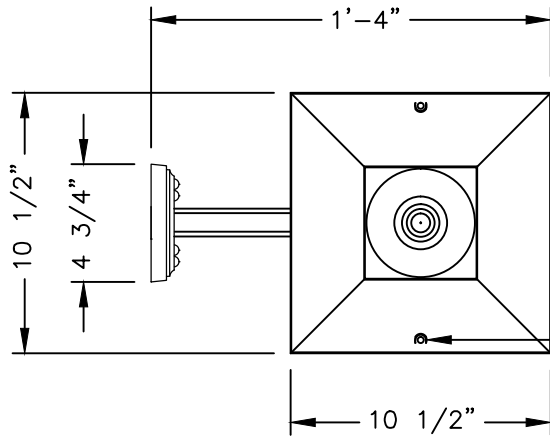
JUNCTION BOX IN WALL NOT SUPPLIED



7316TF

3/16"=1'	DRAWN	LMG
	DRAWN DATE	JUN 22 2011
		DRAWING NUMBER

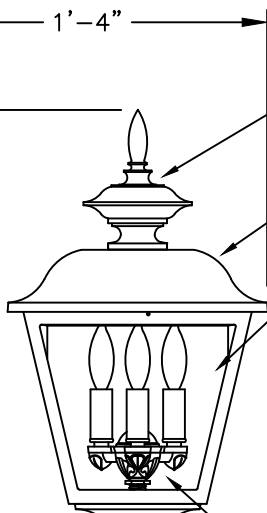
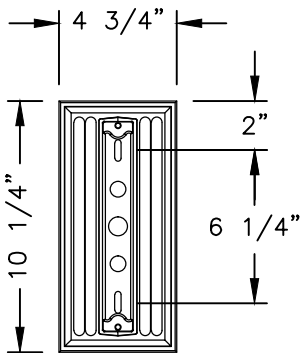
7378TF NANTUCKET RESIDENTIAL SERIES



ALL ELECTRICAL COMPONENTS ARE U.L. OR E.T.L. LISTED IN USA AND CANADA.

FIXTURE WILL BE PREWIRED AND TESTED.

ROOF SECURED WITH (2) 10-24 X 1/2" KNURLED THUMB SCREWS



CAST ALUMINUM TALL FINIAL ALSO AVAILABLE WITH CUPOLA

CAST ALUMINUM ROOF

LENS AVAILABLE IN CLEAR SEEDED, CLEAR TEXTURED, CLEAR ACRYLIC, WHITE ACRYLIC OR BEVELED GLASS

MEDIUM BASE SOCKET, AVAILABLE WITH COMPACT FLUORESCENT, FROSTED HURRICANE CHIMNEY, GLASS REFRACTOR OR 3 LIGHT CLUSTER

CAST BALL

(2) 1/4-20 X 1 1/8" RHMS

MOUNTING HARDWARE BY OTHERS

WALL BRACKET

EXTERIOR WALL

JUNCTION BOX IN WALL NOT SUPPLIED



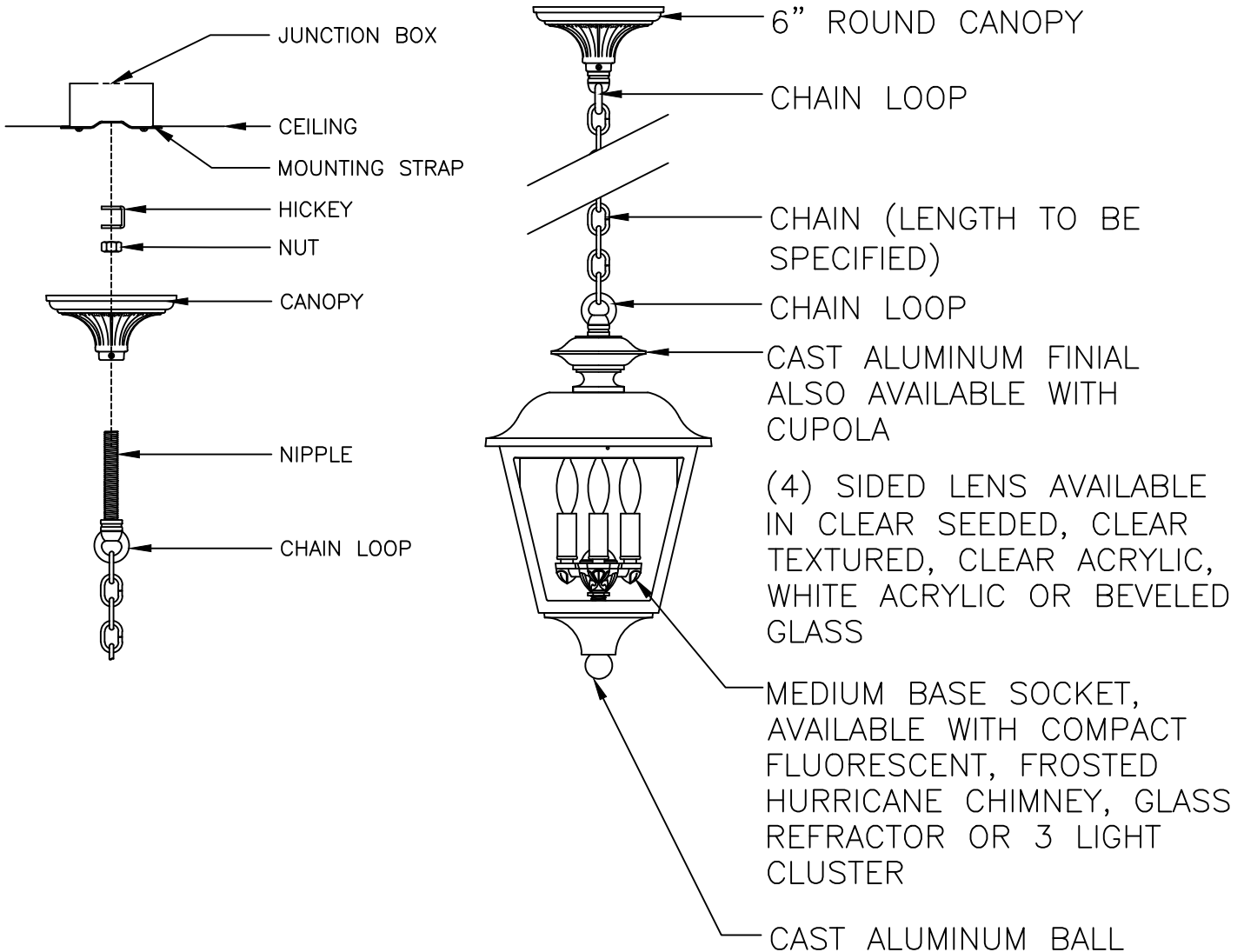
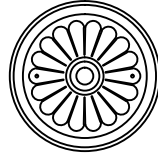
7378TF

3/16"=1'	DRAWN	LMG
	DRAWN DATE	JUN 7 2011
		DRAWING NUMBER

7307 NANTUCKET RESIDENTIAL SERIES

ALL ELECTRICAL COMPONENTS
ARE U.L. OR E.T.L. LISTED IN
USA AND CANADA.

FIXTURE WILL BE PREWIRED
AND TESTED. MOUNTING
HARDWARE IS SUPPLIED.



STERNBERG
SINCE 1923

7307

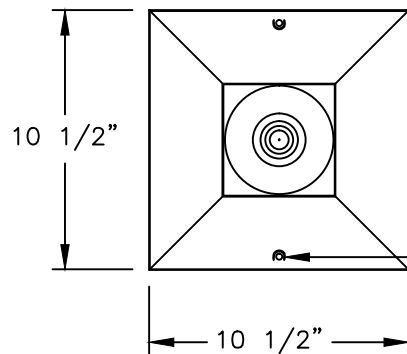
3/16"=1'

DRAWN LMG
DRAWN DATE JUN 22 2011
DRAWING NUMBER

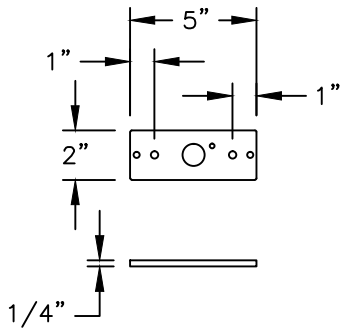
7326TF NANTUCKET RESIDENTIAL SERIES

ALL ELECTRICAL COMPONENTS ARE U.L. OR E.T.L. LISTED IN USA AND CANADA.

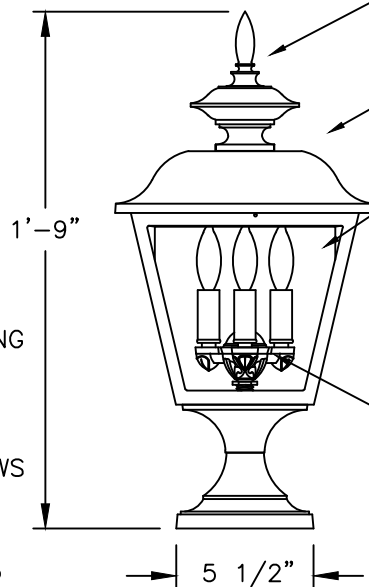
FIXTURE WILL BE PREWIRED AND TESTED.



ROOF SECURED WITH (2) 10-24 X 1/2" KNURLED THUMB SCREWS



MOUNTING STRAP

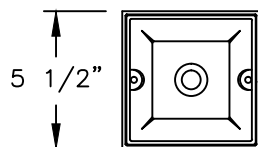
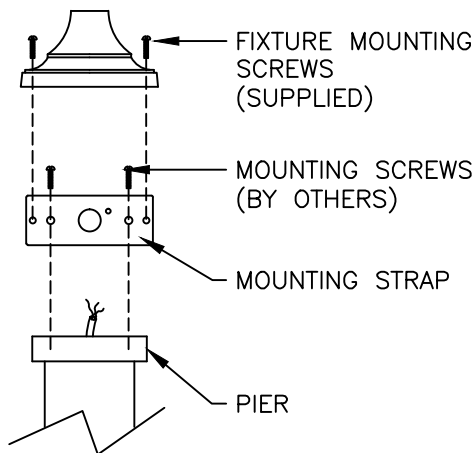


CAST ALUMINUM TALL FINIAL ALSO AVAILABLE WITH CUPOLA

CAST ALUMINUM ROOF

LENS AVAILABLE IN CLEAR SEEDED, CLEAR TEXTURED, CLEAR ACRYLIC, WHITE ACRYLIC OR BEVELED GLASS

MEDIUM BASE SOCKET, AVAILABLE WITH COMPACT FLUORESCENT, FROSTED HURRICANE CHIMNEY, GLASS REFRACTOR OR 3 LIGHT CLUSTER



PIER BASE SECURED WITH (2) 1/4-20 X 3/4" RHMS



7326TF

3/16"=1'	DRAWN LMG
	DRAWN DATE JUN 22 2011
DRAWING NUMBER	