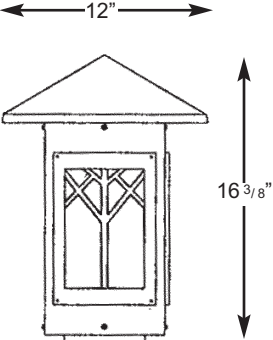

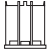
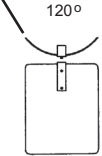






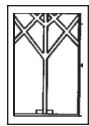


730 PRAIRIE RESIDENTIAL SERIES

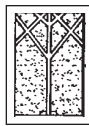
SPECIFICATIONS

FIXTURE	SOCKET TYPE	OPTICAL SYSTEMS	BB BALLAST BOX	POST FITTER
 <p>730</p>	 <p>MED Single Medium Base Socket</p>	 <p>PL Compact Fluorescent</p>	 <p>HSS House Side Shield</p>	 <p>FMC Frosted Mission Chimney</p>
			<p>78BB - Large Scale for up to 100 watt ballasts</p> 	<p>27BB - Hanging or Pier for up to 100 watt ballasts</p> 
				<p>SIZES</p> <ul style="list-style-type: none">  R3"  S4"  R4"

LENSES



CA
Clear
Acrylic



CSA
Clear
Seeded
Acrylic



CTA
Clear
Textured
Acrylic



PA
Prismatic
Acrylic

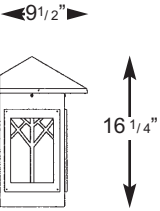
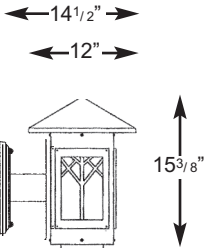
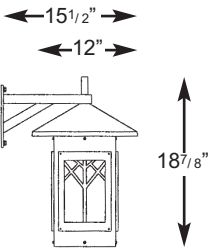
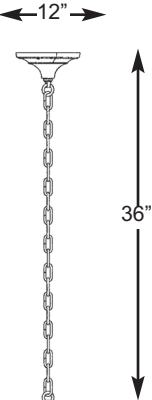
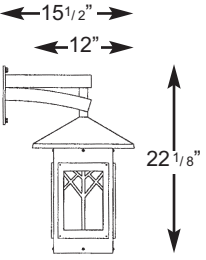
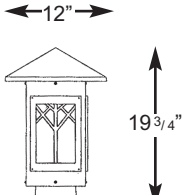
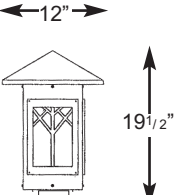
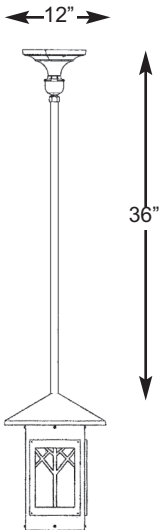


WA
White
Acrylic



AGB
Art Glass
Brown
Marble

POST MOUNT, WALL BRACKETS & PIER MOUNT

 <p>730WB</p>	 <p>730/77WB</p>	 <p>730/HMA3</p>	 <p>730HCH27††</p>
 <p>730/TPS3</p>	 <p>730PB</p>	 <p>730PT†</p>	 <p>730HSH27††</p>

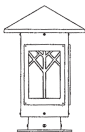
NOTE: 730 Series 100W Max. INC. Refractors not available.
† Remote Ballast required if HID or CF. †† Add BB Ballast Box for 100W HID.

BUILDING A PART NUMBER

POST & ARM FIXTURES

ARM MOUNTED FIXTURE		CENTER POST TOP FIXTURE (PT)	POST	POST CAP	LIGHT SOURCE BALLAST	OPTICS	OPTIONS	LENS	FINISH
NO. OF ARMS	FIXTURE / POSTARM	FIXT./FITTER	(See Post Section)		WATTS / TYPE / VOLTS				
		730/S4	4SQX		100MHP120			WA	BKT

WALL FIXTURES

FIXTURE / WALL BRACKET		LIGHT SOURCE BALLAST	OPTICS	OPTIONS	LENS	FINISH	 PIER FIXTURES Uses same information boxes as wall fixture 730/P28B FIXTURE / PIER BASE
730/TPS3		100MHP120		MHP100/MED	WA	BKT	

HANGING FIXTURES

DROPPING IN INCHES	FIXTURE / HANGING BRACKET		OVERALL DROPPING IN INCHES	LIGHT SOURCE BALLAST	OPTICS	OPTIONS	LENS	FINISH
	730H/CH27		36 INCHES	100MHP120	FMC	MHP100/MED	CA	BKT

PART NUMBER SELECTIONS

FIXTURES • 730 OPTICS • HSS • FMC • MED • PL FITTERS • R3 • S4 • R4	POST ARMS • 77PM • HMA3PM • TPS3PM LENSES • CA • CSA • CTA • PA • WA • AGB	WALL BRACKET ARMS • 77WB • HMA3WB • TPS3WB HANGING BRACKETS • CH27 • SH27 PIER BASE • PB	LAMPS⁴ • HPS35/MED • HPS50/MED • HPS70/MED • HPS100/MED • MHP50/MED • MHP70/MED • MHP100/MED • PLT26 • PLT32 • PLT42 • PLT57 • PLT70	BALLASTS^{3,4} • 35HPS ¹ • 50HPS • 70HPS • 100HPS • 50MHP • 70MHP • 100MHP • 26PLT • 32PLT • 42PLT • 57PLT • 70PLT • INCAND (100 watt max.)	BB - BALLAST BOX • 78BB - Medium Scale for up to 100 watt ballasts • 27BB - Hanging or Pier for up to 100 watt ballasts	STANDARD FINISHES* • BKT Black Textured • WHT White Textured • PGT Park Green Textured • ABZT Architectural Medium Bronze Textured • DBT Dark Bronze Textured *Smooth Finishes are available upon request CUSTOM FINISHES • OI Old Iron • RT Rust • WBR Weathered Brown • CD Cedar • WBK Weathered Black • TT Two Tone
--	--	---	--	---	---	---

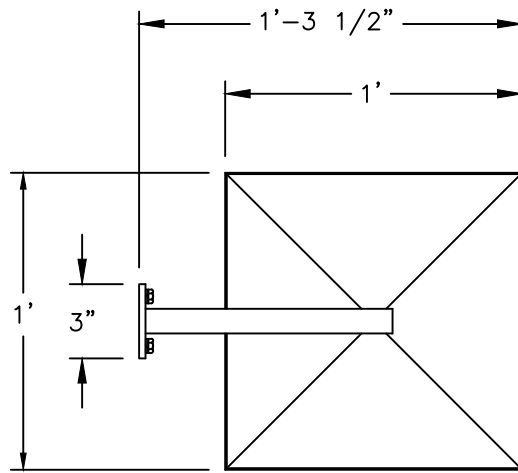
OPTIONS

- PEC1-E Photocell-Electronic 120-277 Volt
- FHS Single Fuse and Holder-120,277 Volt
- LAMPS Select from List

NOTES:

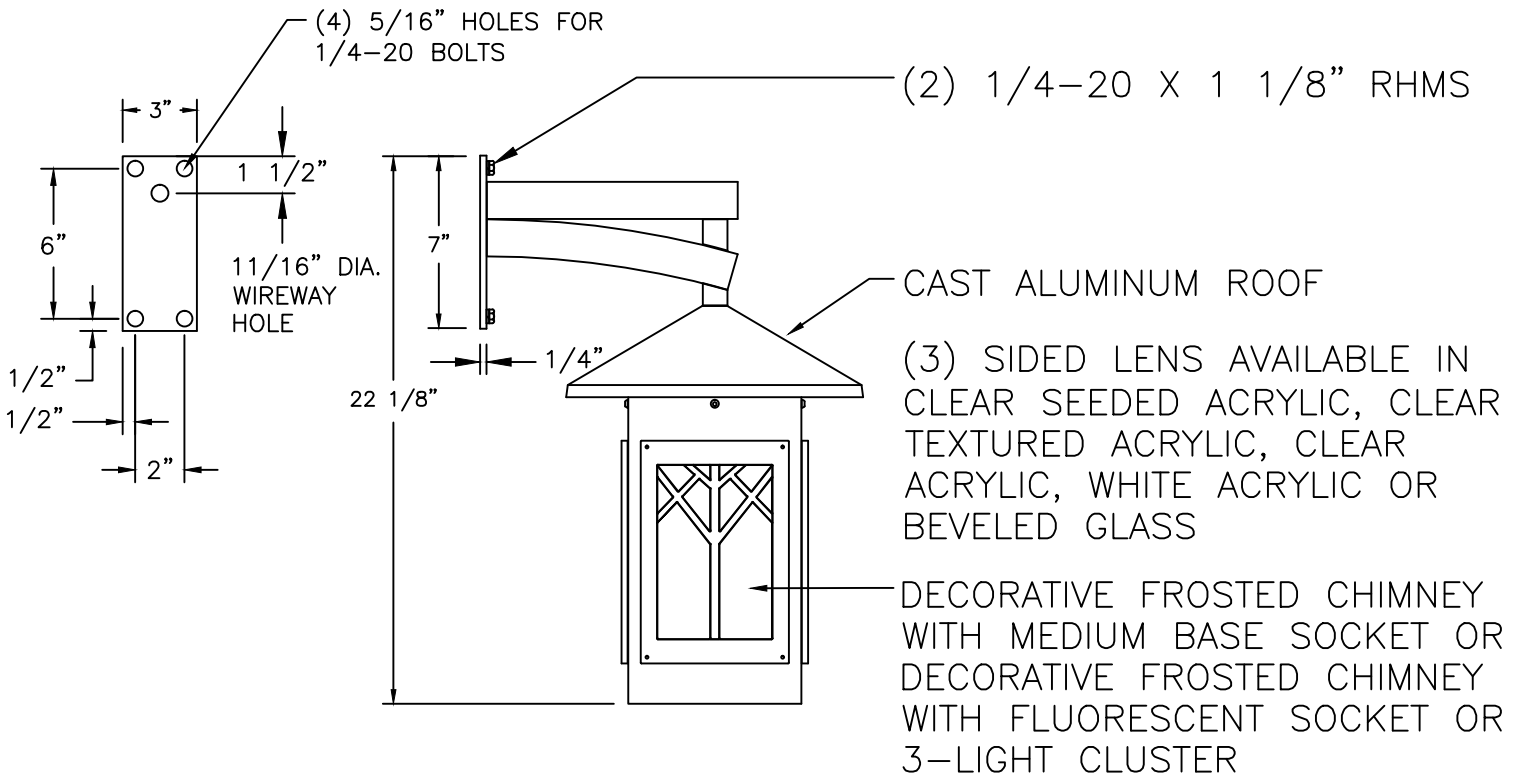
- ¹35HPS is 120 volt only.
- ²MED base only when used to house lamp.
- ³Medium base sockets standard with ballasts up to 100 watts for HID. 4-pin for PL.
- ⁴Metal halide systems are pulse start.

730/TPS3 PRAIRIE RESIDENTIAL SERIES



ALL ELECTRICAL COMPONENTS ARE U.L. OR E.T.L. LISTED IN USA AND CANADA.

FIXTURE WILL BE PREWIRED AND TESTED.

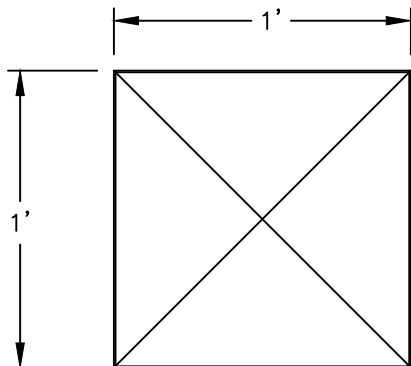


STERNBERG
SINCE 1923

730/TPS3

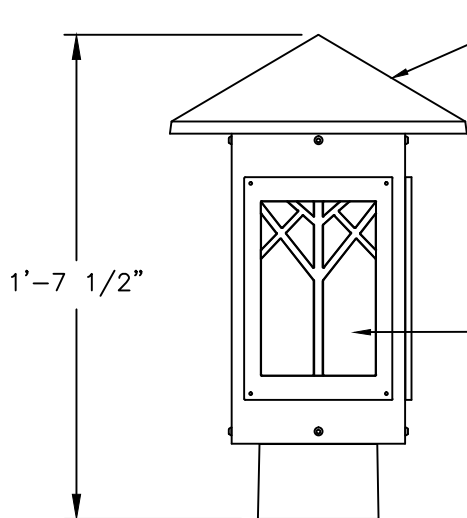
3/16"=1'	DRAWN	LMG
	DRAWN DATE	NOV 14 2011
		DRAWING NUMBER

730PT PRAIRIE RESIDENTIAL SERIES



ALL ELECTRICAL COMPONENTS ARE U.L. OR E.T.L. LISTED IN USA AND CANADA.

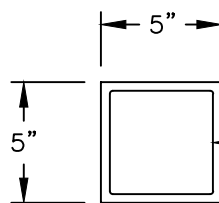
FIXTURE WILL BE PREWIRED AND TESTED.



CAST ALUMINUM ROOF

(3) SIDED LENS AVAILABLE IN CLEAR SEEDED ACRYLIC, CLEAR TEXTURED ACRYLIC, CLEAR ACRYLIC, WHITE ACRYLIC OR BEVELED GLASS

DECORATIVE FROSTED CHIMNEY WITH MEDIUM BASE SOCKET OR DECORATIVE FROSTED CHIMNEY WITH FLUORESCENT SOCKET OR 3-LIGHT CLUSTER



TO SLIP FIT 4" SQUARE TENON

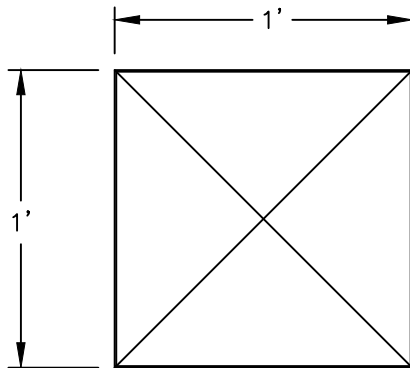


730PT

3/16"=1'

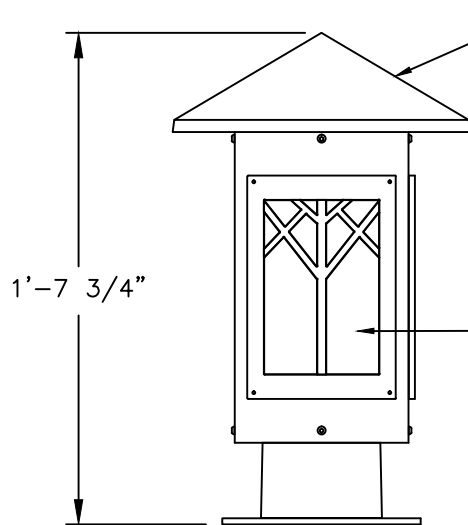
DRAWN LMG
 DRAWN DATE DEC 8 2011
 DRAWING NUMBER

730/PB PRAIRIE RESIDENTIAL SERIES



ALL ELECTRICAL COMPONENTS ARE U.L. OR E.T.L. LISTED IN USA AND CANADA.

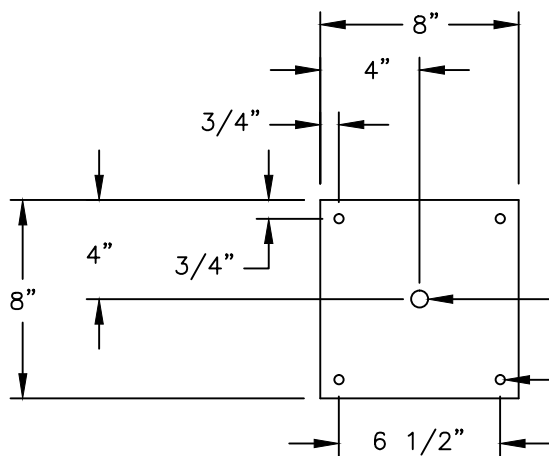
FIXTURE WILL BE PREWIRED AND TESTED.



CAST ALUMINUM ROOF

(3) SIDED LENS AVAILABLE IN CLEAR SEEDED ACRYLIC, CLEAR TEXTURED ACRYLIC, CLEAR ACRYLIC, WHITE ACRYLIC OR BEVELED GLASS

DECORATIVE FROSTED CHIMNEY WITH MEDIUM BASE SOCKET OR DECORATIVE FROSTED CHIMNEY WITH FLUORESCENT SOCKET OR 3-LIGHT CLUSTER



11/16" WIRE WAY HOLE

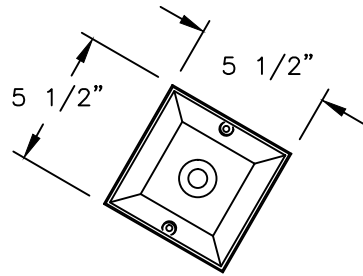
(4) 3/8" DIA. MOUNTING HOLES



730/PB

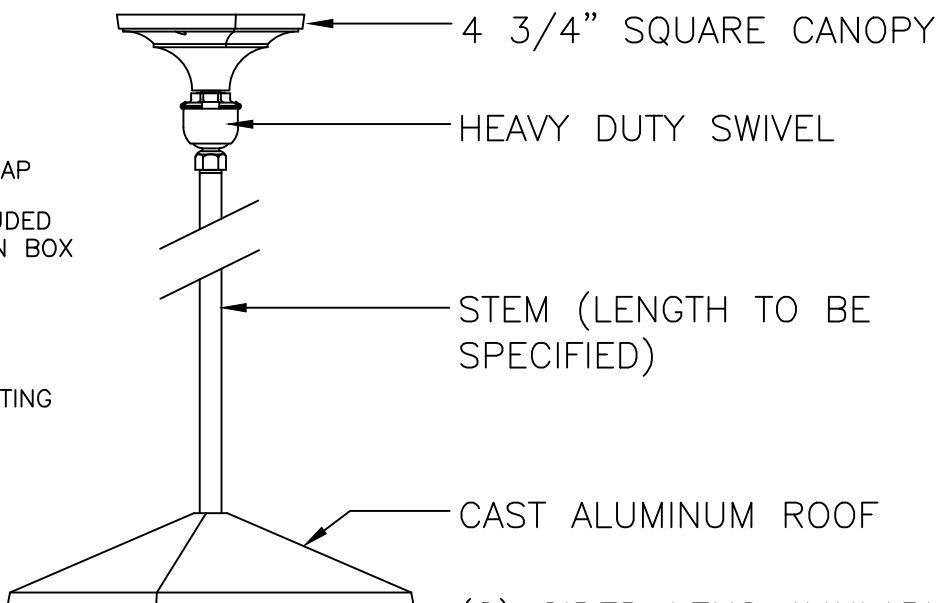
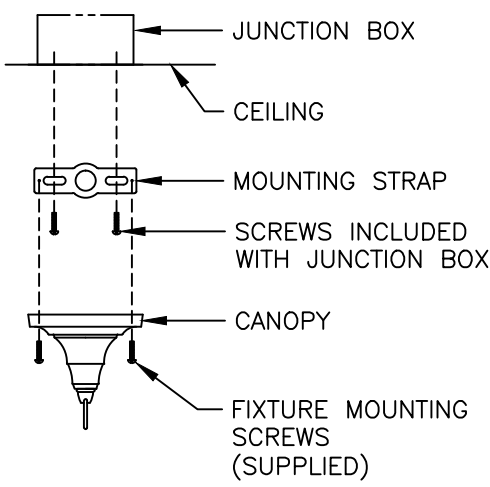
3/16"=1'	DRAWN LMG
	DRAWN DATE DEC 8 2011
DRAWING NUMBER	

730HSH27 CLASSIC RESIDENTIAL SERIES



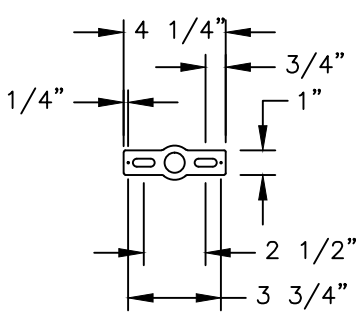
ALL ELECTRICAL COMPONENTS ARE U.L. OR E.T.L. LISTED IN USA AND CANADA.

FIXTURE WILL BE PREWIRED AND TESTED.



(8) SIDED LENS AVAILABLE IN CLEAR SEEDED, CLEAR TEXTURED, CLEAR ACRYLIC, WHITE ACRYLIC OR BEVELED GLASS

DECORATIVE FROSTED CHIMNEY WITH MEDIUM BASE SOCKET OR DECORATIVE FROSTED CHIMNEY WITH FLUORESCENT SOCKET OR 3-LIGHT CLUSTER



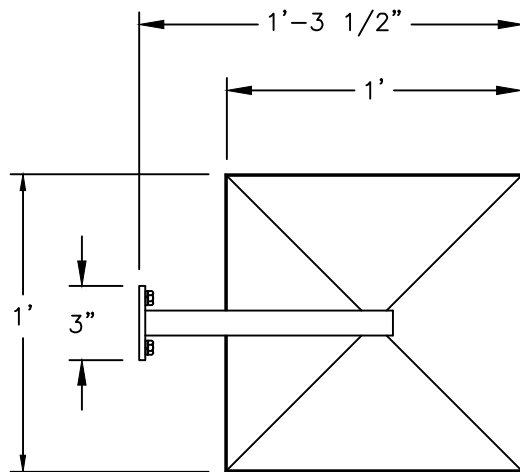
MOUNTING STRAP



730HSH27

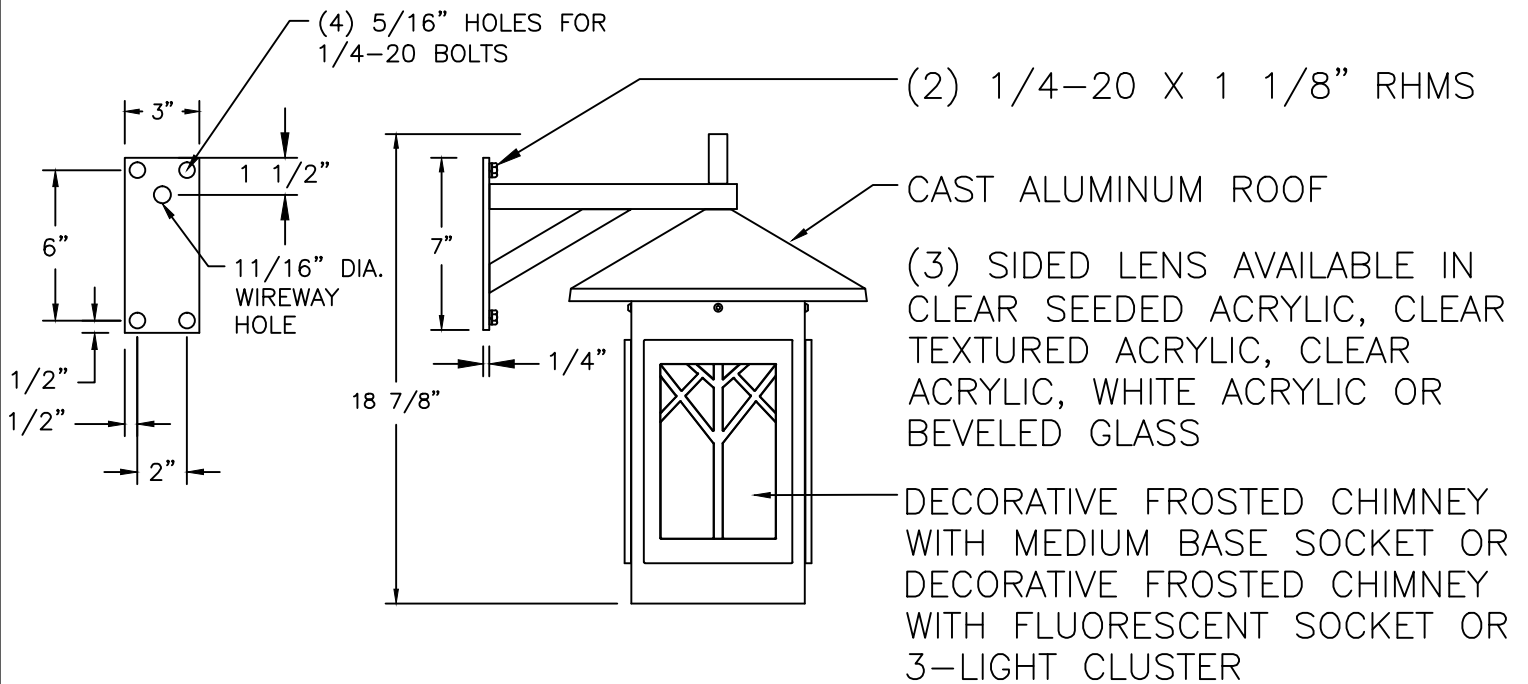
3/16"=1'	DRAWN	LMG
	DRAWN DATE	NOV 29 2011
		DRAWING NUMBER

730/HMA3 PRAIRIE RESIDENTIAL SERIES



ALL ELECTRICAL COMPONENTS ARE U.L. OR E.T.L. LISTED IN USA AND CANADA.

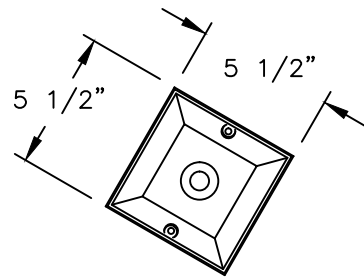
FIXTURE WILL BE PREWIRED AND TESTED.



730/HMA3

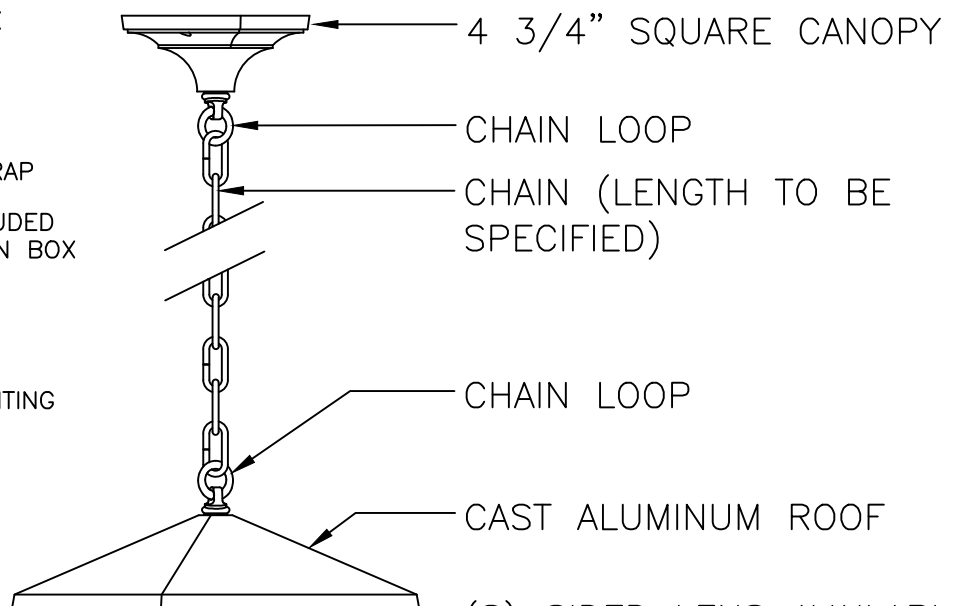
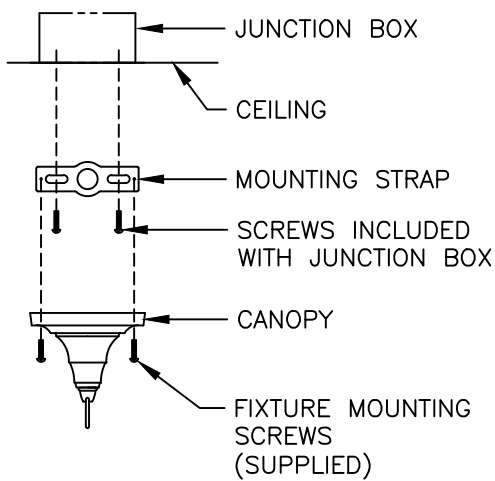
3/16"=1'	DRAWN LMG
	DRAWN DATE NOV 8 2011
DRAWING NUMBER	

730HCH27 CLASSIC RESIDENTIAL SERIES



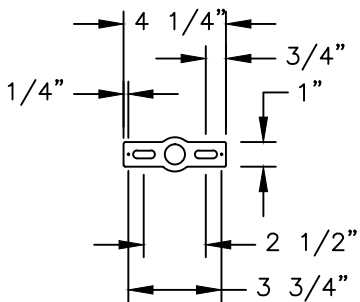
ALL ELECTRICAL COMPONENTS ARE U.L. OR E.T.L. LISTED IN USA AND CANADA.

FIXTURE WILL BE PREWIRED AND TESTED.



(8) SIDED LENS AVAILABLE IN CLEAR SEEDED, CLEAR TEXTURED, CLEAR ACRYLIC, WHITE ACRYLIC OR BEVELED GLASS

DECORATIVE FROSTED CHIMNEY WITH MEDIUM BASE SOCKET OR DECORATIVE FROSTED CHIMNEY WITH FLUORESCENT SOCKET OR 3-LIGHT CLUSTER



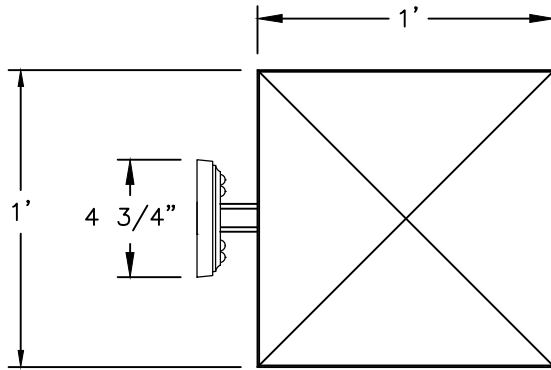
MOUNTING STRAP



730HCH27

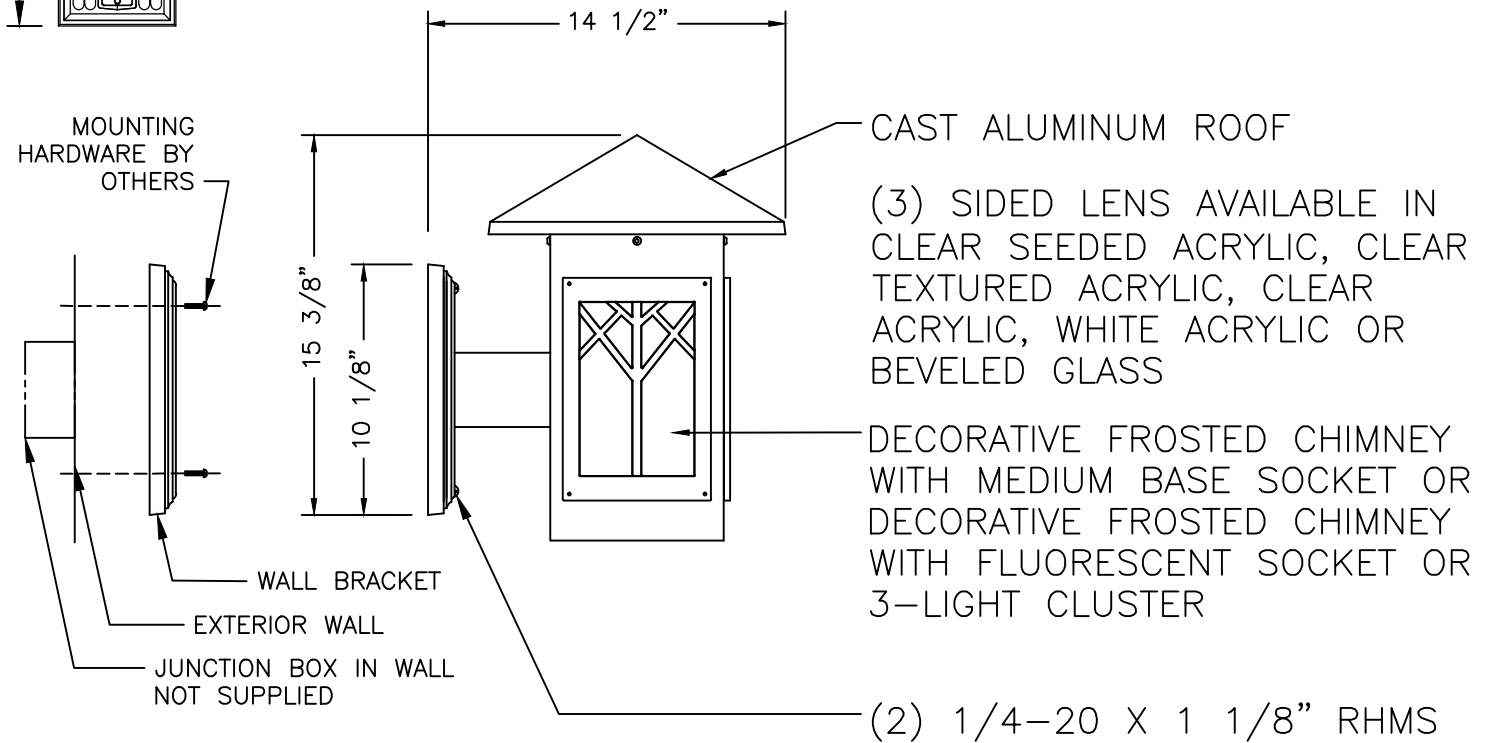
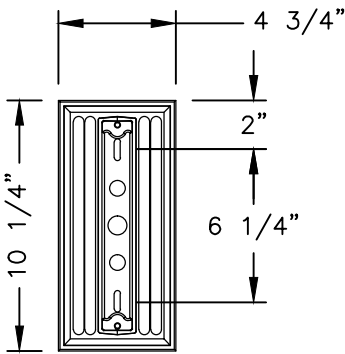
3/16"=1'	DRAWN LMG DRAWN DATE NOV 29 2011
	DRAWING NUMBER

730/77WB PRAIRIE RESIDENTIAL SERIES



ALL ELECTRICAL COMPONENTS ARE U.L. OR E.T.L. LISTED IN USA AND CANADA.

FIXTURE WILL BE PREWIRED AND TESTED.



STERNBERG
SINCE 1923

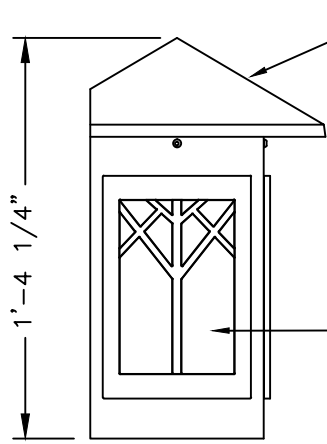
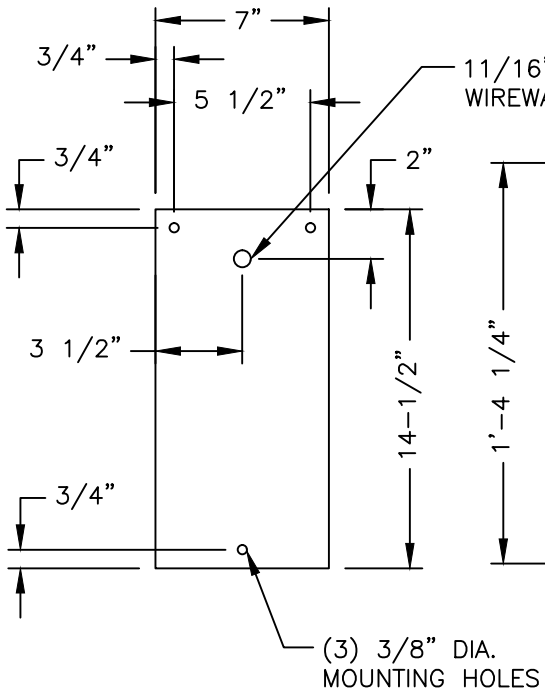
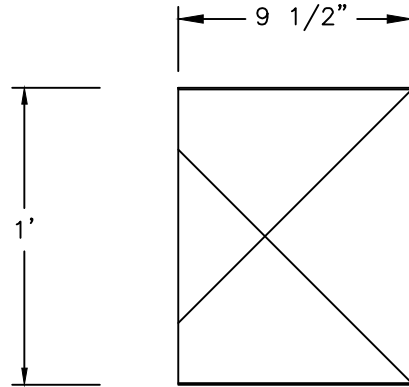
730/77WB

3/16"=1'	DRAWN	LMG
	DRAWN DATE	NOV 8 2011
		DRAWING NUMBER

730WB PRAIRIE RESIDENTIAL SERIES

ALL ELECTRICAL COMPONENTS ARE U.L. OR E.T.L. LISTED IN USA AND CANADA.

FIXTURE WILL BE PREWIRED AND TESTED.



CAST ALUMINUM ROOF

(3) SIDED LENS AVAILABLE IN CLEAR SEEDED ACRYLIC, CLEAR TEXTURED ACRYLIC, CLEAR ACRYLIC, WHITE ACRYLIC OR BEVELED GLASS

DECORATIVE FROSTED CHIMNEY WITH MEDIUM BASE SOCKET OR DECORATIVE FROSTED CHIMNEY WITH FLUORESCENT SOCKET OR 3-LIGHT CLUSTER



730WB

3/16"=1'

DRAWN LMG
 DRAWN DATE DEC 8 2011
 DRAWING NUMBER