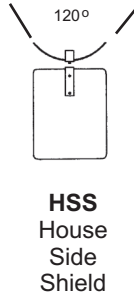
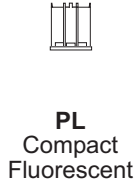
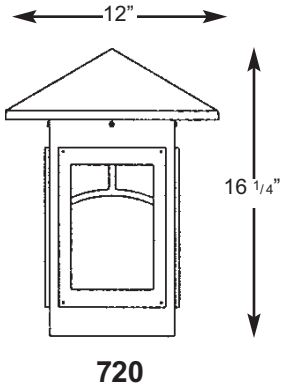


# 720 TINLEY RESIDENTIAL SERIES

# SPECIFICATIONS

FIXTURE	SOCKET TYPE	OPTICAL SYSTEMS	BB BALLAST BOX	POST FITTER
---------	-------------	-----------------	----------------	-------------



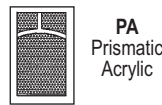
**78BB** - Large Scale  
for up to 100 watt  
ballasts

**27BB** - Hanging or  
Pier for up to 100  
watt ballasts

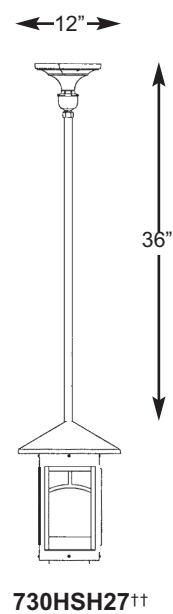
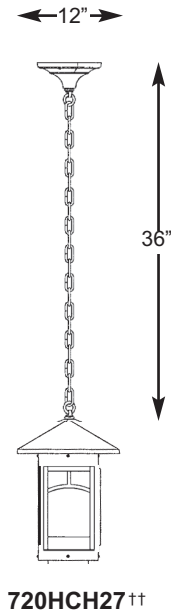
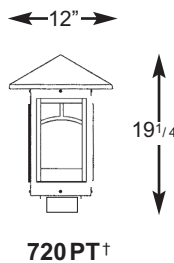
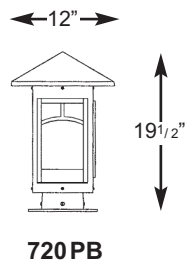
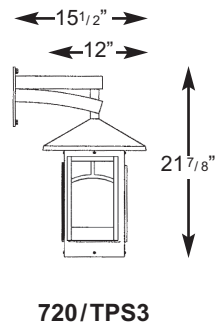
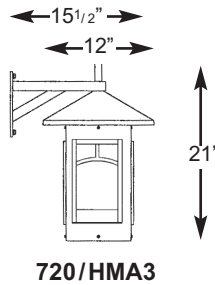
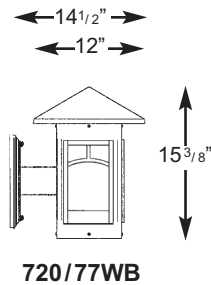
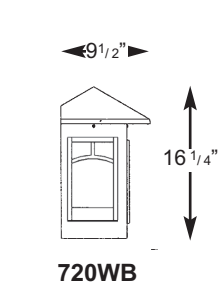


SIZES

## LENSES




## POST MOUNT, WALL BRACKETS & PIER MOUNT



NOTE: 720 Series 100W Max. INC. Refractors not available.  
† Remote Ballast required if HID or CF. †† Add BB Ballast Box for 100W HID.

# BUILDING A PART NUMBER

## POST & ARM FIXTURES

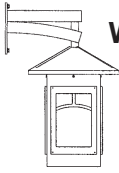


ARM MOUNTED FIXTURE POST TOP FIXTURE (PT) POST POST CAP LIGHT SOURCE BALLAST OPTICS OPTIONS LENS FINISH

NO. OF ARMS FIXTURE / POST ARM FIXT./FITTER (See Post Section) WATTS / TYPE / VOLTS

720/S4 / 4SQX / 100MHP120 / WA / BKT

## WALL FIXTURES

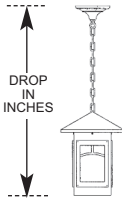


FIXTURE / WALL BRACKET LIGHT SOURCE BALLAST OPTICS OPTIONS LENS FINISH

720/TPS3 / 100MHP120 / MHP100/MED / WA / BKT

**PIER FIXTURES**  
Uses same information boxes as wall fixture  
720/P28B  
FIXTURE / PIER BASE

## HANGING FIXTURES



FIXTURE / HANGING BRACKET OVERALL DROP IN INCHES LIGHT SOURCE BALLAST OPTICS OPTIONS LENS FINISH

720H/CH27 / 36 INCHES / 100MHP120 / FMC / MHP100/MED / CA / BKT

## PART NUMBER SELECTIONS

- |  |   |   |  |   |  |   |
|--|---|---|--|---|--|---|
| <p><b>FIXTURES</b></p> <ul style="list-style-type: none"> <li>• 720</li> </ul> <p><b>OPTICS</b></p> <ul style="list-style-type: none"> <li>• HSS</li> <li>• FMC</li> <li>• MED</li> <li>• PL</li> </ul> <p><b>FITTERS</b></p> <ul style="list-style-type: none"> <li>• R3</li> <li>• S4</li> <li>• R4</li> </ul> | <p><b>POST ARMS</b></p> <ul style="list-style-type: none"> <li>• 77PM</li> <li>• HMA3PM</li> <li>• TPS3PM</li> </ul> <p><b>LENSES</b></p> <ul style="list-style-type: none"> <li>• CA</li> <li>• CSA</li> <li>• CTA</li> <li>• PA</li> <li>• WA</li> <li>• AGB</li> </ul> | <p><b>WALL BRACKET ARMS</b></p> <ul style="list-style-type: none"> <li>• 77WB</li> <li>• HMA3WB</li> <li>• TPS3WB</li> </ul> <p><b>HANGING BRACKETS</b></p> <ul style="list-style-type: none"> <li>• CH27</li> <li>• SH27</li> </ul> <p><b>PIER BASE</b></p> <ul style="list-style-type: none"> <li>• P28B</li> </ul> | <p><b>LAMPS<sup>4</sup></b></p> <ul style="list-style-type: none"> <li>• HPS35/MED</li> <li>• HPS50/MED</li> <li>• HPS70/MED</li> <li>• HPS100/MED</li> <li>• MHP50/MED</li> <li>• MHP70/MED</li> <li>• MHP100/MED</li> <li>• PLT26</li> <li>• PLT32</li> <li>• PLT42</li> <li>• PLT57</li> <li>• PLT70</li> </ul> | <p><b>BALLASTS<sup>3,4</sup></b></p> <ul style="list-style-type: none"> <li>• 35HPS<sup>1</sup></li> <li>• 50HPS</li> <li>• 70HPS</li> <li>• 100HPS</li> <li>• 50MHP</li> <li>• 70MHP</li> <li>• 100MHP</li> <li>• 26PLT</li> <li>• 32PLT</li> <li>• 42PLT</li> <li>• 57PLT</li> <li>• 70PLT</li> <li>• INCAND (100 watt max.)</li> </ul> | <p><b>BB - BALLAST BOX</b></p> <ul style="list-style-type: none"> <li>• 78BB - Medium Scale for up to 100 watt ballasts</li> <li>• 27BB - Hanging or Pier for up to 100 watt ballasts</li> </ul> | <p><b>STANDARD FINISHES*</b></p> <ul style="list-style-type: none"> <li>• BKT Black Textured</li> <li>• WHT White Textured</li> <li>• PGT Park Green Textured</li> <li>• ABZT Architectural Medium Bronze Textured</li> <li>• DBT Dark Bronze Textured</li> </ul> <p><small>*Smooth Finishes are available upon request</small></p> <p><b>CUSTOM FINISHES</b></p> <ul style="list-style-type: none"> <li>• OI Old Iron</li> <li>• RT Rust</li> <li>• WBR Weathered Brown</li> <li>• CD Cedar</li> <li>• WBK Weathered Black</li> <li>• TT Two Tone</li> </ul> <p><b>STERNBERG SELECT FINISHES</b></p> <ul style="list-style-type: none"> <li>• VG Verde Green</li> <li>• SI Swedish Iron</li> <li>• OWGT Old World Gray Textured</li> </ul> |
|--|---|---|--|---|--|---|

### OPTIONS

- PEC1-E Photocell-Electronic 120-277 Volt
- FHS Single Fuse and Holder-120, 277 Volt
- LAMPS Select from List

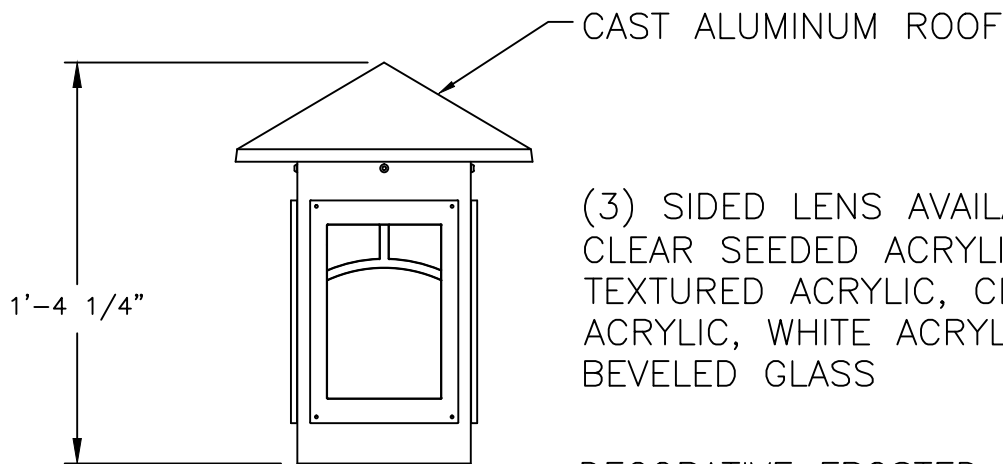
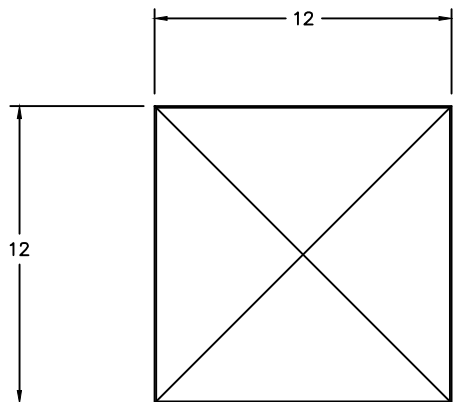
### NOTES:

- <sup>1</sup>35HPS is 120 volt only.
- <sup>2</sup>MED base only when used to house lamp.
- <sup>3</sup>Medium base sockets standard with ballasts up to 100 watts for HID. 4-pin for PL.
- <sup>4</sup>Metal halide systems are pulse start.

# 720 PRAIRIE RESIDENTIAL SERIES

ALL ELECTRICAL COMPONENTS ARE U.L. OR E.T.L. LISTED IN USA AND CANADA.

FIXTURE WILL BE PREWIRED AND TESTED.



(3) SIDED LENS AVAILABLE IN CLEAR SEEDED ACRYLIC, CLEAR TEXTURED ACRYLIC, CLEAR ACRYLIC, WHITE ACRYLIC OR BEVELED GLASS

DECORATIVE FROSTED CHIMNEY WITH MEDIUM BASE SOCKET OR DECORATIVE FROSTED CHIMNEY WITH FLUORESCENT SOCKET OR 3-LIGHT CLUSTER



720

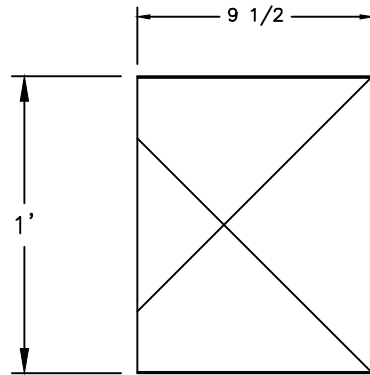
3/16"=1'

DRAWN LMG  
 DRAWN DATE JAN 25 2012  
 DRAWING NUMBER

# 720WB PRAIRIE RESIDENTIAL SERIES

ALL ELECTRICAL COMPONENTS ARE U.L. OR E.T.L. LISTED IN USA AND CANADA.

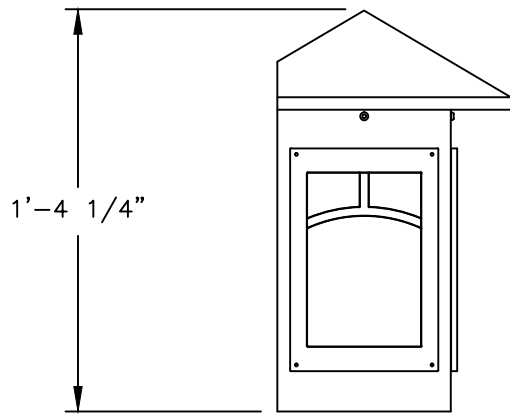
FIXTURE WILL BE PREWIRED AND TESTED.



CAST ALUMINUM ROOF

(3) SIDED LENS AVAILABLE IN CLEAR SEEDED ACRYLIC, CLEAR TEXTURED ACRYLIC, CLEAR ACRYLIC, WHITE ACRYLIC OR BEVELED GLASS

DECORATIVE FROSTED CHIMNEY WITH MEDIUM BASE SOCKET OR DECORATIVE FROSTED CHIMNEY WITH FLUORESCENT SOCKET OR 3-LIGHT CLUSTER

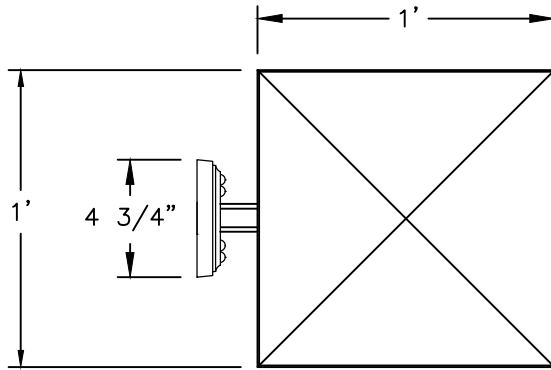


720WB

3/16"=1'

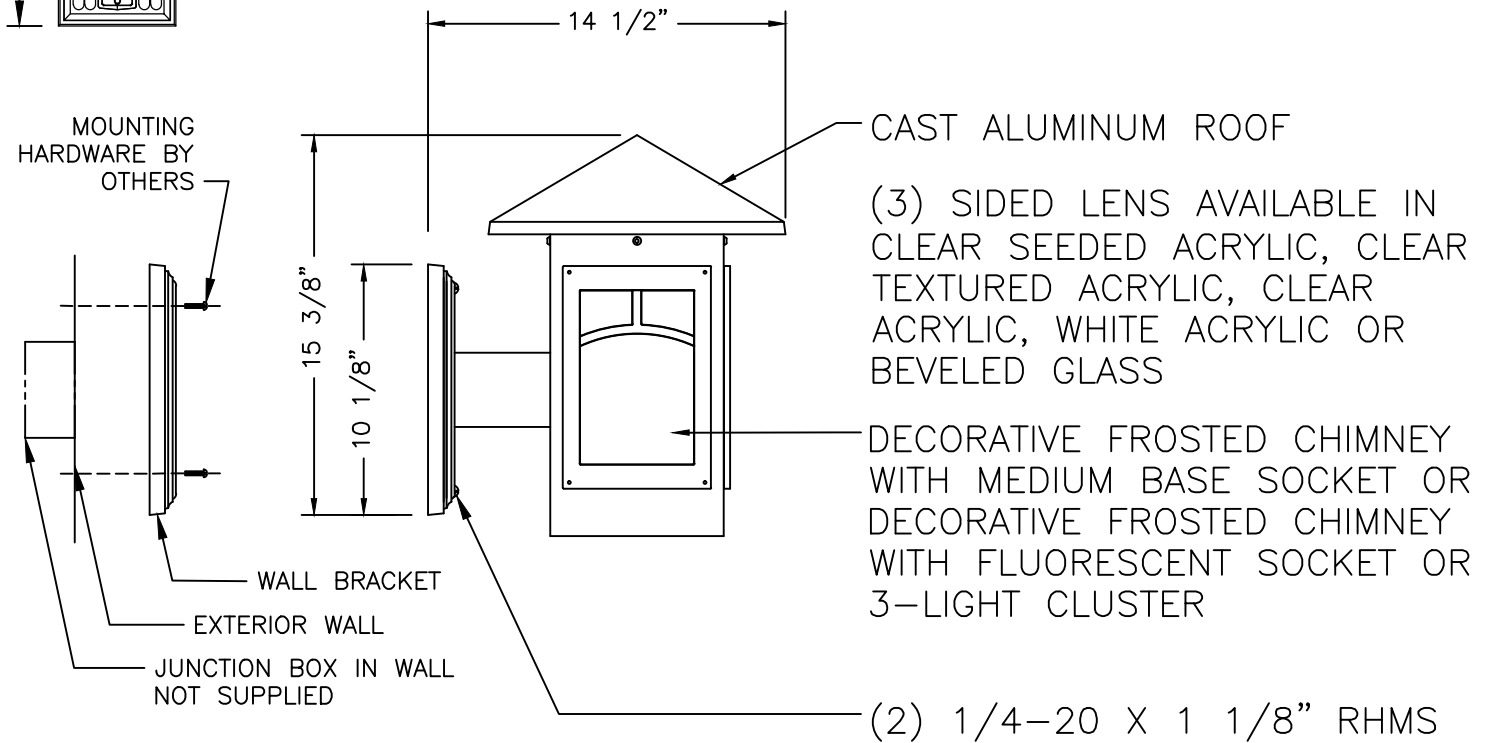
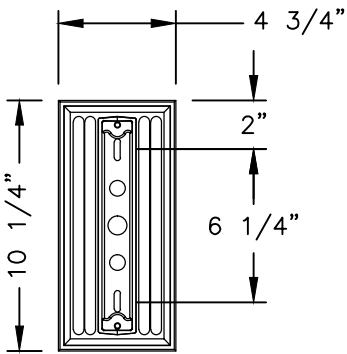
DRAWN LMG  
 DRAWN DATE MAR 23 2012  
 DRAWING NUMBER

# 720/77WB PRAIRIE RESIDENTIAL SERIES



ALL ELECTRICAL COMPONENTS ARE U.L. OR E.T.L. LISTED IN USA AND CANADA.

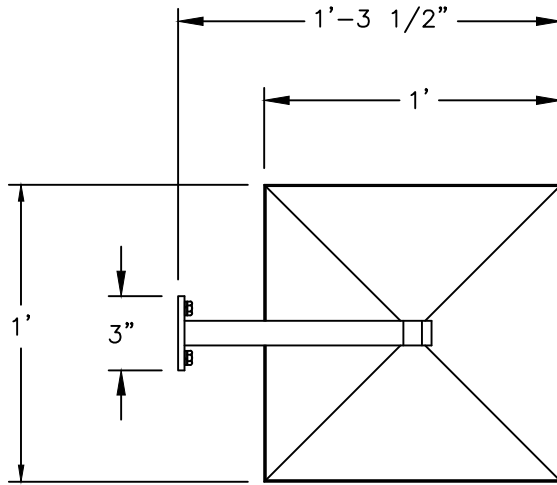
FIXTURE WILL BE PREWIRED AND TESTED.



720/77WB

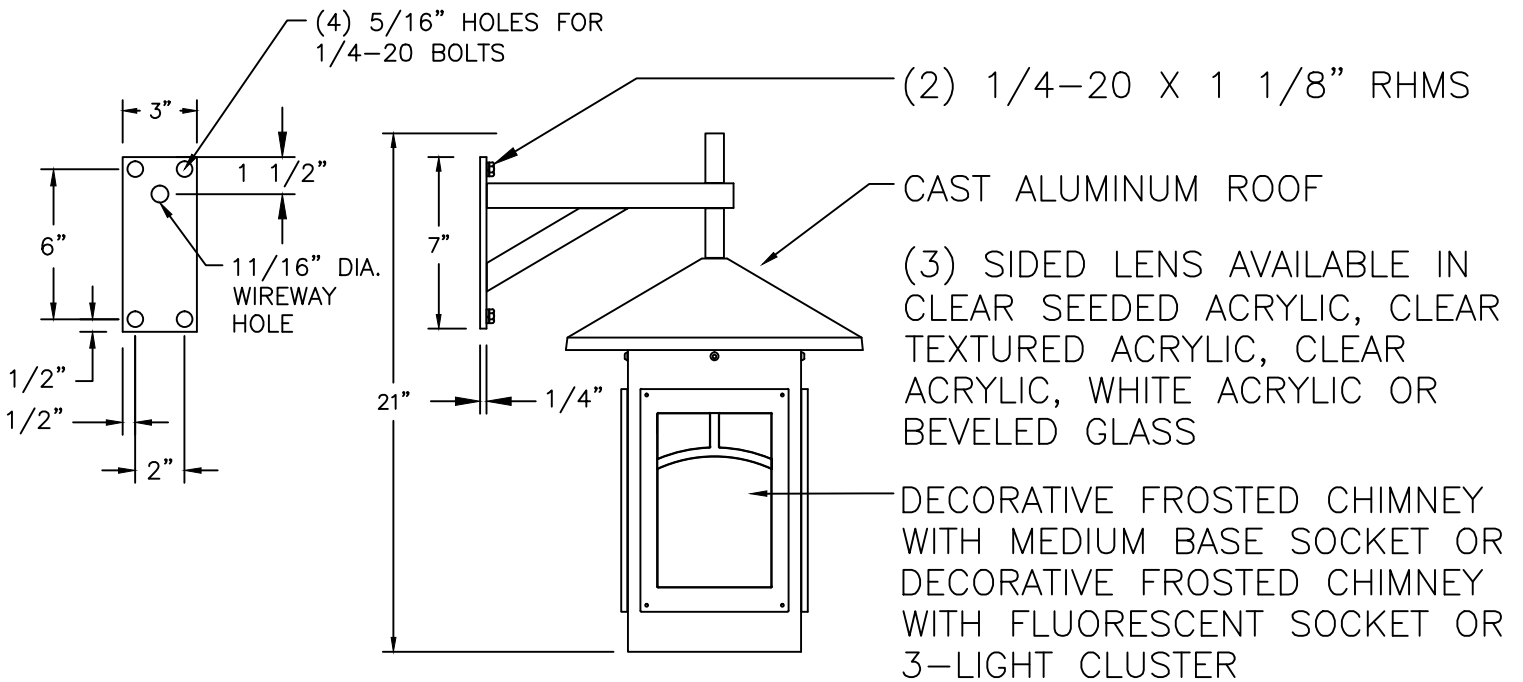
3/16"=1'	DRAWN	LMG
	DRAWN DATE	MAR 23 2012
		DRAWING NUMBER

# 720/HMA3 PRAIRIE RESIDENTIAL SERIES



ALL ELECTRICAL COMPONENTS ARE U.L. OR E.T.L. LISTED IN USA AND CANADA.

FIXTURE WILL BE PREWIRED AND TESTED.



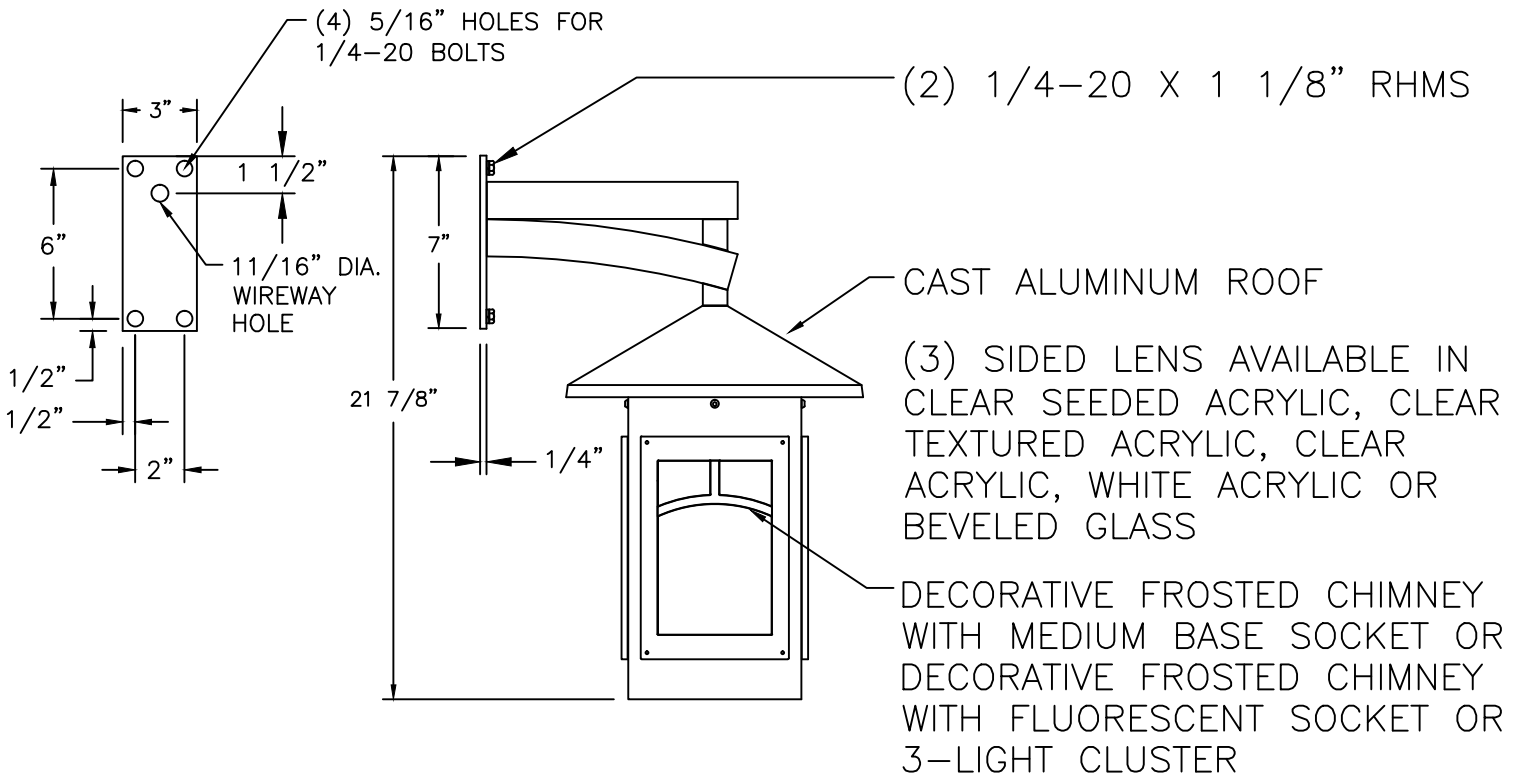
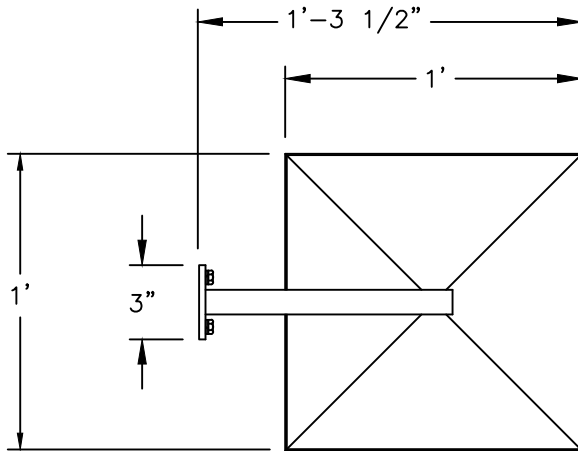
720/HMA3

3/16"=1'	DRAWN LMG
	DRAWN DATE MAR 23 2012
DRAWING NUMBER	

# 720/TPS3 PRAIRIE RESIDENTIAL SERIES

ALL ELECTRICAL COMPONENTS ARE U.L. OR E.T.L. LISTED IN USA AND CANADA.

FIXTURE WILL BE PREWIRED AND TESTED.

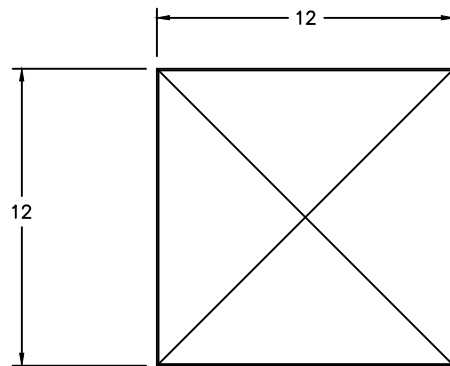


**STERNBERG**  
SINCE 1923

720/TPS3

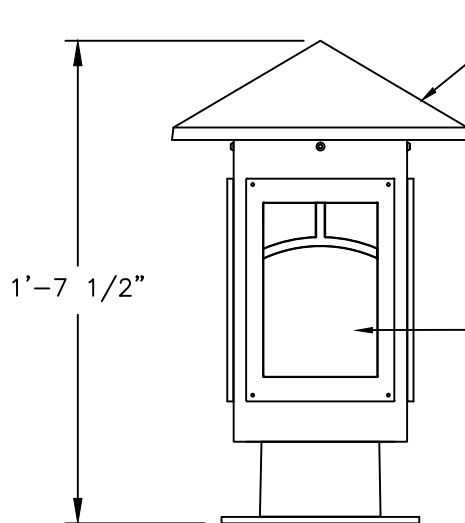
3/16"=1'	DRAWN	LMG
	DRAWN DATE	MAR 23 2012
		DRAWING NUMBER

# 720/PB PRAIRIE RESIDENTIAL SERIES



ALL ELECTRICAL COMPONENTS ARE U.L. OR E.T.L. LISTED IN USA AND CANADA.

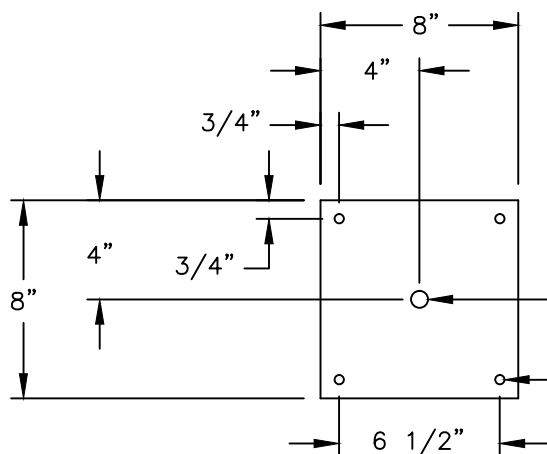
FIXTURE WILL BE PREWIRED AND TESTED.



CAST ALUMINUM ROOF

(3) SIDED LENS AVAILABLE IN CLEAR SEEDED ACRYLIC, CLEAR TEXTURED ACRYLIC, CLEAR ACRYLIC, WHITE ACRYLIC OR BEVELED GLASS

DECORATIVE FROSTED CHIMNEY WITH MEDIUM BASE SOCKET OR DECORATIVE FROSTED CHIMNEY WITH FLUORESCENT SOCKET OR 3-LIGHT CLUSTER



11/16" WIRE WAY HOLE

(4) 3/8" DIA. MOUNTING HOLES

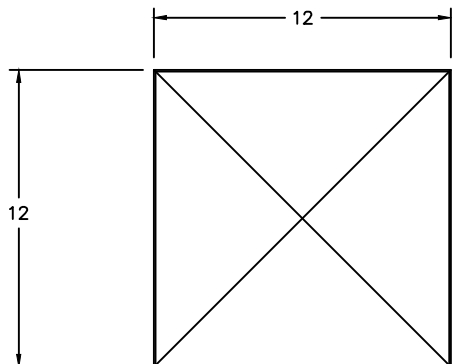


720/PB

3/16"=1'	DRAWN	LMG
	DRAWN DATE	DEC 8 2011
		DRAWING NUMBER

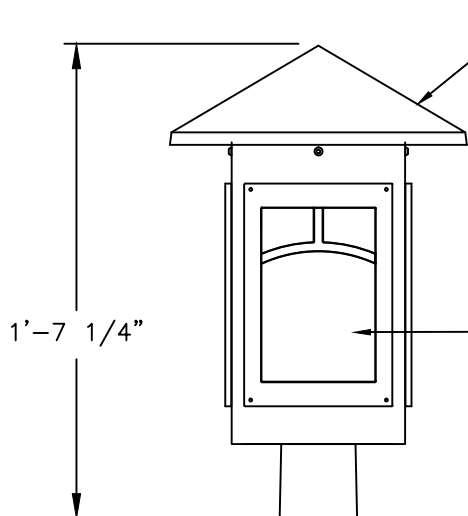


# 720PT PRAIRIE RESIDENTIAL SERIES



ALL ELECTRICAL COMPONENTS ARE U.L. OR E.T.L. LISTED IN USA AND CANADA.

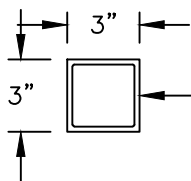
FIXTURE WILL BE PREWIRED AND TESTED.



CAST ALUMINUM ROOF

(3) SIDED LENS AVAILABLE IN CLEAR SEEDED ACRYLIC, CLEAR TEXTURED ACRYLIC, CLEAR ACRYLIC, WHITE ACRYLIC OR BEVELED GLASS

DECORATIVE FROSTED CHIMNEY WITH MEDIUM BASE SOCKET OR DECORATIVE FROSTED CHIMNEY WITH FLUORESCENT SOCKET OR 3-LIGHT CLUSTER



TO SLIP FIT 4" SQUARE TENON

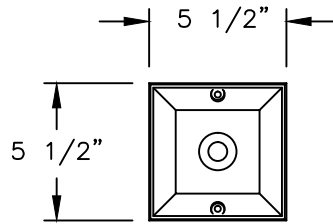


720PT

3/16"=1'

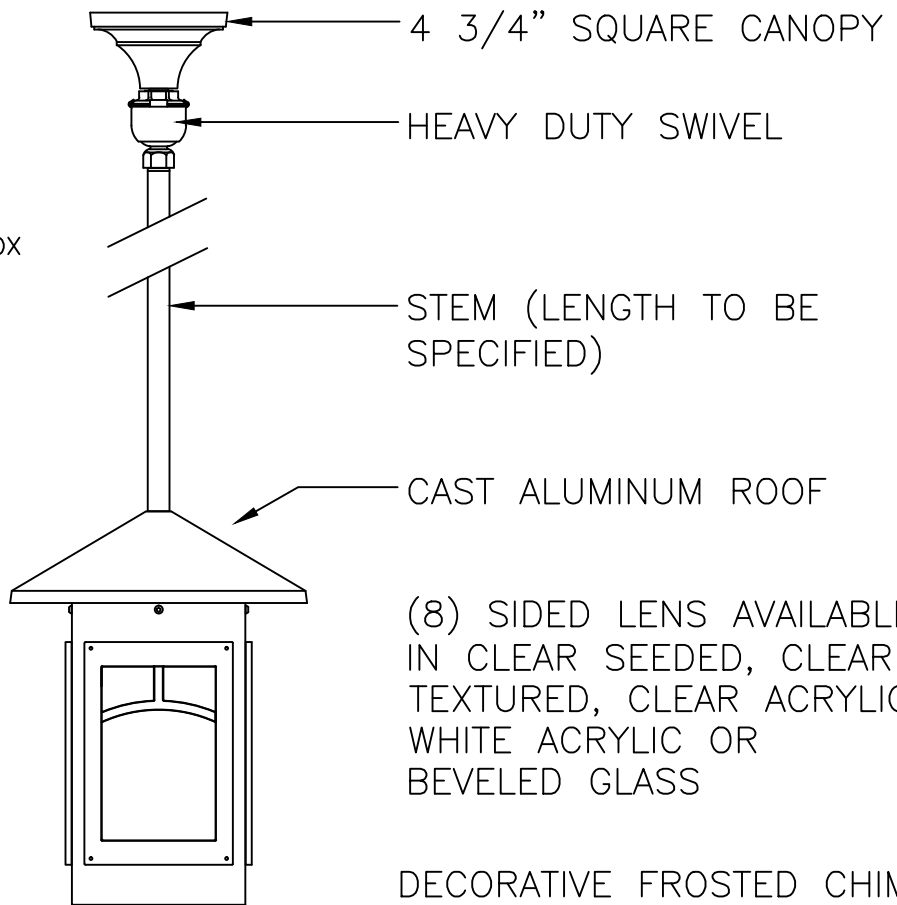
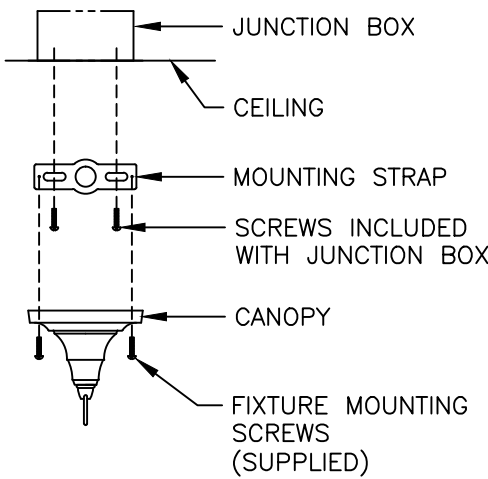
DRAWN LMG  
 DRAWN DATE DEC 8 2011  
 DRAWING NUMBER

# 720HSH27 PRAIRIE RESIDENTIAL SERIES



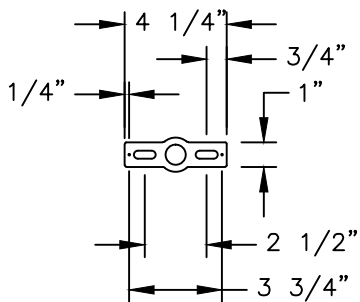
ALL ELECTRICAL COMPONENTS ARE U.L. OR E.T.L. LISTED IN USA AND CANADA.

FIXTURE WILL BE PREWIRED AND TESTED.



(8) SIDED LENS AVAILABLE IN CLEAR SEEDED, CLEAR TEXTURED, CLEAR ACRYLIC, WHITE ACRYLIC OR BEVELED GLASS

DECORATIVE FROSTED CHIMNEY WITH MEDIUM BASE SOCKET OR DECORATIVE FROSTED CHIMNEY WITH FLUORESCENT SOCKET OR 3-LIGHT CLUSTER



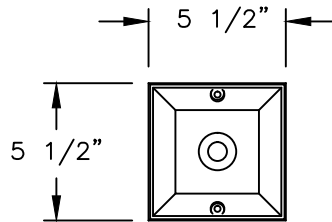
MOUNTING STRAP



720HSH27

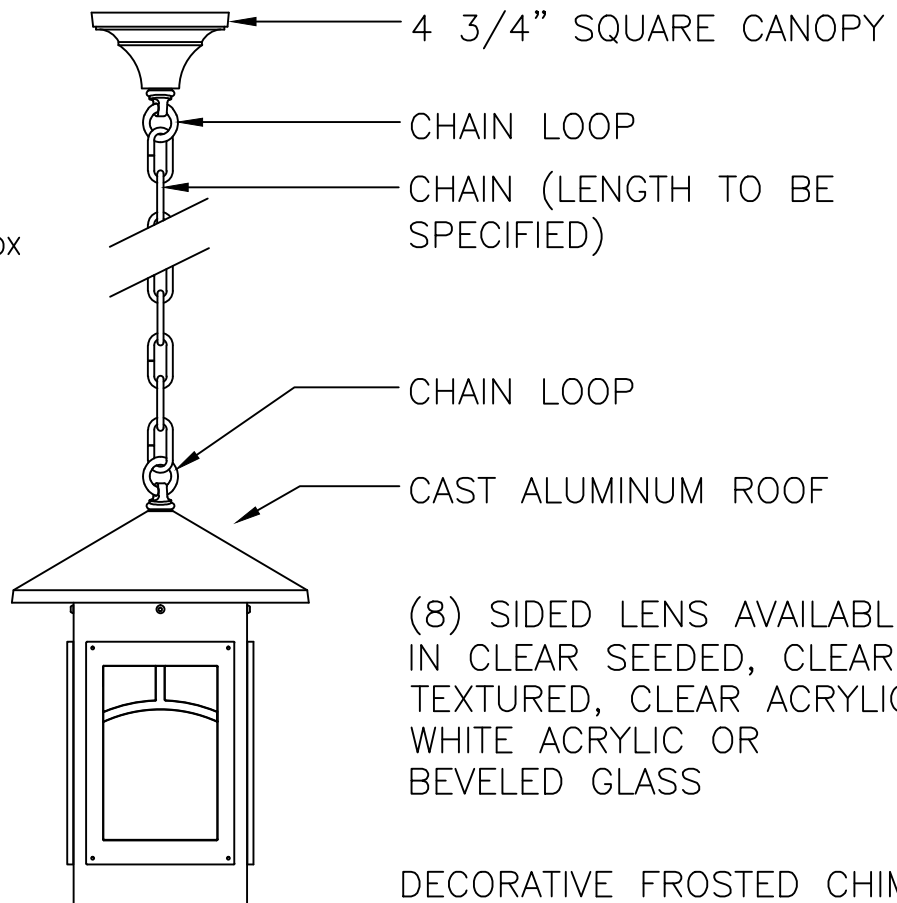
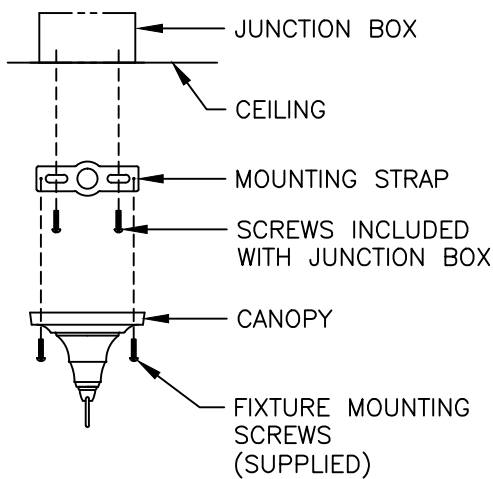
3/16"=1'	DRAWN	LMG
	DRAWN DATE	NOV 29 2011
		DRAWING NUMBER

# 720HCH27 PRAIRIE RESIDENTIAL SERIES



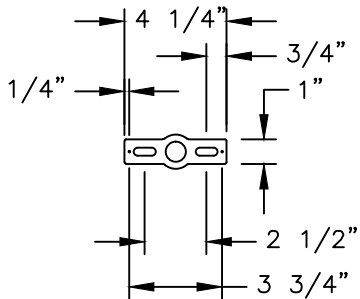
ALL ELECTRICAL COMPONENTS ARE U.L. OR E.T.L. LISTED IN USA AND CANADA.

FIXTURE WILL BE PREWIRED AND TESTED.



(8) SIDED LENS AVAILABLE IN CLEAR SEEDED, CLEAR TEXTURED, CLEAR ACRYLIC, WHITE ACRYLIC OR BEVELED GLASS

DECORATIVE FROSTED CHIMNEY WITH MEDIUM BASE SOCKET OR DECORATIVE FROSTED CHIMNEY WITH FLUORESCENT SOCKET OR 3-LIGHT CLUSTER



MOUNTING STRAP



720HCH27

3/16"=1'	DRAWN	LMG
	DRAWN DATE	NOV 29 2011
		DRAWING NUMBER