

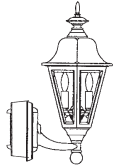


# BUILDING A PART NUMBER



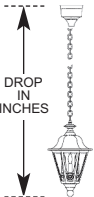
## POST & ARM FIXTURES

ARM MOUNTED FIXTURE NO. OF ARMS	CENTER POST TOP FIXTURE (PT) FIXTURE	POST	POST CAP	LIGHT SOURCE BALLAST WATTS / TYPE / VOLTS	OPTICS	OPTIONS	LENS	FINISH
2	6630/78PM	3412FP5	FCC	70 HPS120	3L	HPS70/MED	CSA	BKT



## WALL FIXTURES

FIXTURE / WALL BRACKET	LIGHT SOURCE BALLAST WATTS / TYPE / VOLTS	OPTICS	OPTIONS	LENS	FINISH	PIER FIXTURES
6616/879BB	70HPS120	3L	HPS70/MED	CTA	BKT	Uses same information boxes as wall fixture 6635/3L PIER FIXTURE / PIER BASE



## HANGING FIXTURES

FIXTURE / HANGING BRACKET	OVERALL DROP IN INCHES	LIGHT SOURCE BALLAST WATTS / TYPE / VOLTS	OPTICS	OPTIONS	LENS	FINISH
6627BB/CH28	36 INCHES	70 HPS120	3L	HPS70/MED	CSA	BKT

## PART NUMBER SELECTIONS

### FIXTURES<sup>1</sup>

- 6615
- 6616
- 6617
- 6627
- 6630
- 6635

### OPTICS

- MED
- 3L
- PL

### LENSES

- BG
- CSA
- CTA
- CA
- WA

### OPTIONS

- LAMPS Select from List
- BES - Brass Eagle Small
- BP - Brass Package

### BALLASTS<sup>1,4</sup>

- 35HPS<sup>2</sup>
- 50HPS
- 70HPS
- 50MHP
- 70MHP
- 26PLT
- 32PLT
- 42PLT
- INCAND (70 watt max.)

### BB - BALLAST BOX

- 879BB - Medium Scale for up to 50 watt ballasts
- 27BB - Hanging or Pier for up to 70 watt ballasts

### LAMPS<sup>5</sup>

- HPS35/MED
- HPS50/MED
- HPS70/MED
- MHP50/MED
- MHP70/MED
- PLT26
- PLT32
- PLT42

### STANDARD FINISHES\*

- BKT Black Textured
- WHT White Textured
- PGT Park Green Textured
- ABZT Architectural Medium Bronze Textured
- DBT Dark Bronze Textured

\*Smooth Finishes are available upon request

### CUSTOM FINISHES

- OI Old Iron
- RT Rust
- WBR Weathered Brown
- CD Cedar
- WBK Weathered Black
- TT Two Tone

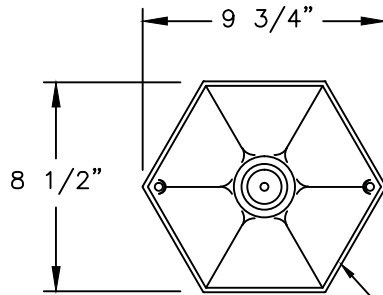
### STERNBERG SELECT FINISHES

- VG Verde Green
- SI Swedish Iron
- OWGT Old World Gray Textured

### NOTES:

- 1 Pole mounted fixtures - requires ballast to be mounted in pole base.
- 1 Wall mounted fixtures - requires wall bracket arms with ballast box.
- 1 Pier mounted fixtures - require PB27BB if ballasted.
- 1 Hanging fixtures - require CH/SH27BB if ballasted.
- 2 35HPS is 120 volt only.
- 3 Medium base socket only when used to house lamp.
- 4 Medium base sockets standard with HID ballasts. 4-pin for PL
- 5 Metal halide systems are pulse start.

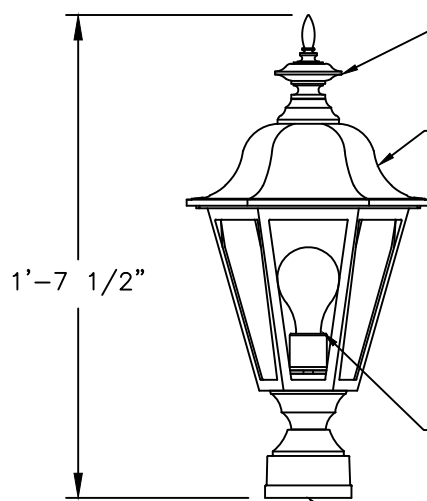
# 6630 HERITAGE RESIDENTIAL SERIES



ALL ELECTRICAL COMPONENTS ARE U.L. OR E.T.L. LISTED IN USA AND CANADA.

FIXTURE WILL BE PREWIRED AND TESTED.

ROOF SECURED WITH (2) 10-24 X 1/2" KNURLED THUMB SCREWS



CAST ALUMINUM FINIAL

CAST ALUMINUM ROOF

(6) SIDED LENS AVAILABLE IN CLEAR SEEDED, CLEAR TEXTURED, CLEAR ACRYLIC, WHITE ACRYLIC OR BEVELED GLASS

MEDIUM BASE SOCKET, AVAILABLE WITH COMPACT FLUORESCENT OR 3 LIGHT CLUSTER

POST TOP STYLE AVAILABLE FOR WALL BRACKET, PIER BASE AND HANGING.

SLIPS 3" OD X 1 1/2" TALL TENON



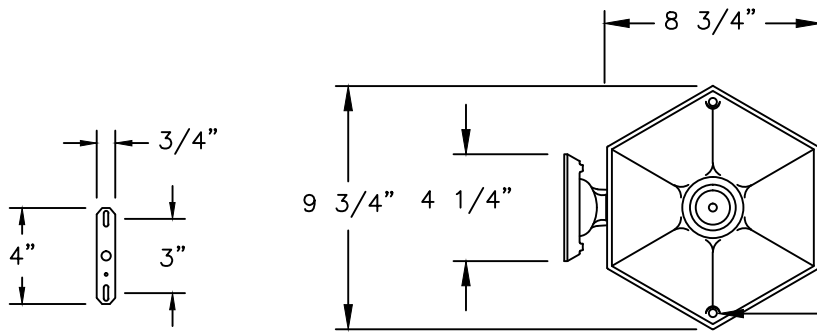
SECURED WITH SET SCREWS

**STERNBERG**  
SINCE 1923

6630

3/16"=1'	DRAWN LMG DRAWN DATE SEPT 28 2011
	DRAWING NUMBER

# 6615 HERITAGE RESIDENTIAL SERIES

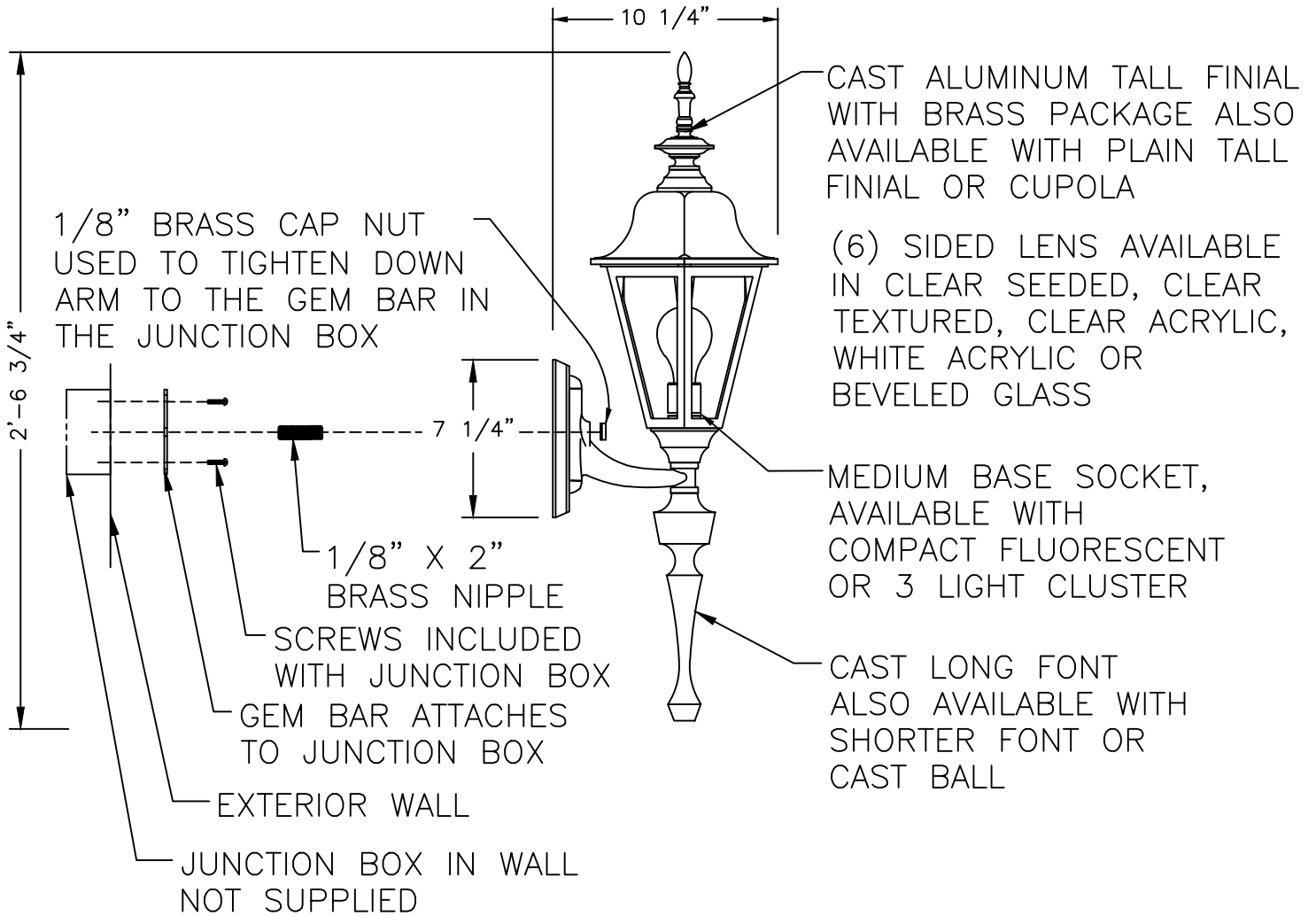


GEM BAR

ALL ELECTRICAL COMPONENTS ARE U.L. OR E.T.L. LISTED IN USA AND CANADA.

FIXTURE WILL BE PREWIRED AND TESTED.

ROOF SECURED WITH (2) 10-24 X 1/2" KNURLED THUMB SCREWS



CAST ALUMINUM TALL FINIAL WITH BRASS PACKAGE ALSO AVAILABLE WITH PLAIN TALL FINIAL OR CUPOLA

(6) SIDED LENS AVAILABLE IN CLEAR SEEDED, CLEAR TEXTURED, CLEAR ACRYLIC, WHITE ACRYLIC OR BEVELED GLASS

MEDIUM BASE SOCKET, AVAILABLE WITH COMPACT FLUORESCENT OR 3 LIGHT CLUSTER

CAST LONG FONT ALSO AVAILABLE WITH SHORTER FONT OR CAST BALL

1/8" BRASS CAP NUT USED TO TIGHTEN DOWN ARM TO THE GEM BAR IN THE JUNCTION BOX

1/8" X 2" BRASS NIPPLE  
SCREWS INCLUDED WITH JUNCTION BOX  
GEM BAR ATTACHES TO JUNCTION BOX

EXTERIOR WALL

JUNCTION BOX IN WALL NOT SUPPLIED



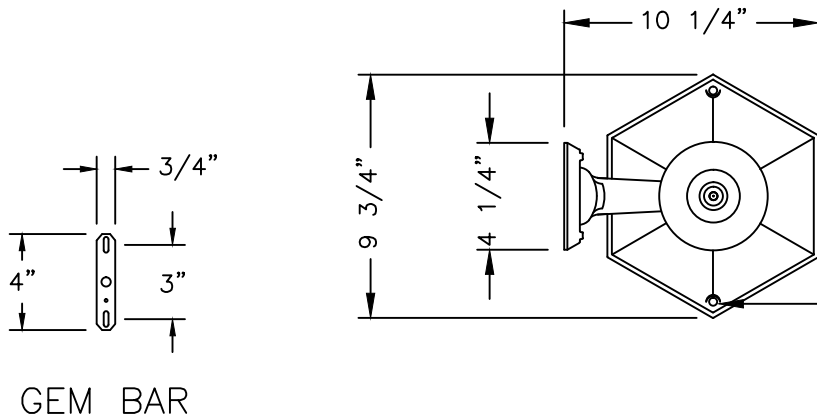
6615

3/16"=1'	DRAWN LMG
	DRAWN DATE JUN 22 2011
DRAWING NUMBER	

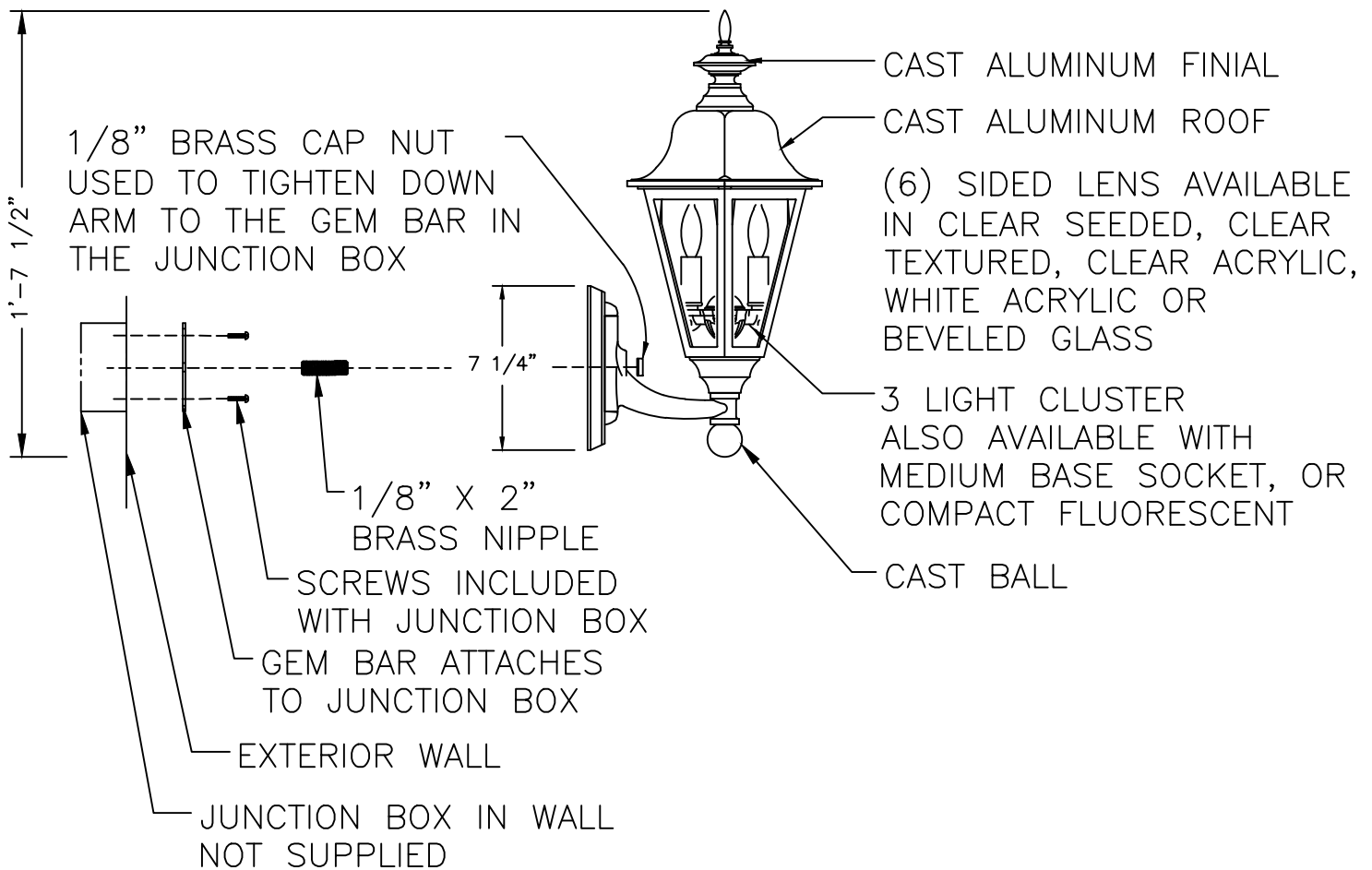
# 6616 HERITAGE RESIDENTIAL SERIES

ALL ELECTRICAL COMPONENTS  
ARE U.L. OR E.T.L. LISTED IN  
USA AND CANADA.

FIXTURE WILL BE PREWIRED  
AND TESTED.



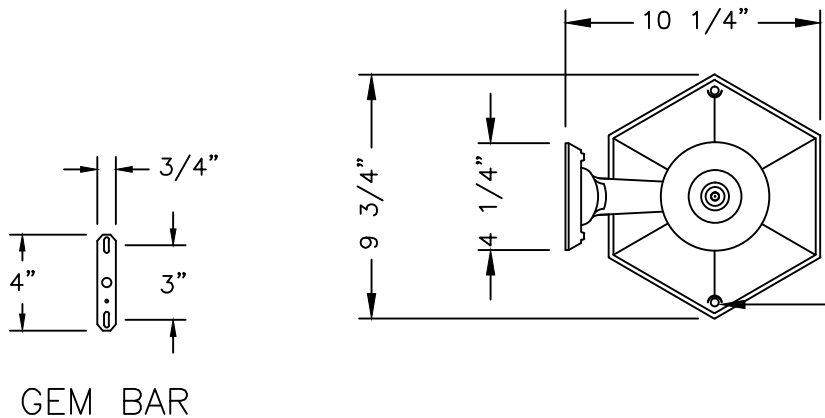
ROOF SECURED WITH  
(2) 10-24 X 1/2"  
KNURLED THUMB SCREWS



6616

3/16"=1'	DRAWN	LMG
	DRAWN DATE	SEPT 28 2011
		DRAWING NUMBER

# 6617 HERITAGE RESIDENTIAL SERIES

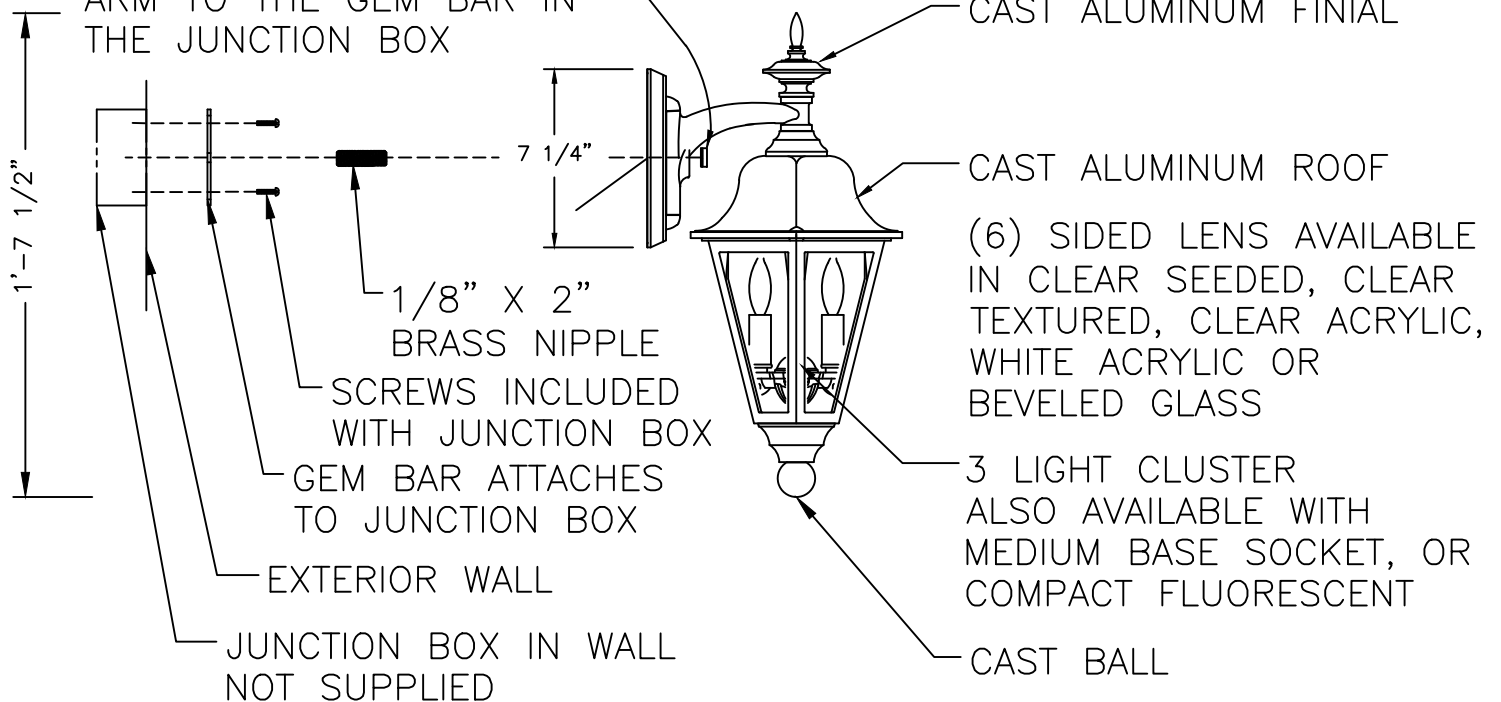


ALL ELECTRICAL COMPONENTS ARE U.L. OR E.T.L. LISTED IN USA AND CANADA.

FIXTURE WILL BE PREWIRED AND TESTED.

ROOF SECURED WITH (2) 10-24 X 1/2" KNURLED THUMB SCREWS

1/8" BRASS CAP NUT USED TO TIGHTEN DOWN ARM TO THE GEM BAR IN THE JUNCTION BOX



CAST ALUMINUM FINIAL

CAST ALUMINUM ROOF

(6) SIDED LENS AVAILABLE IN CLEAR SEEDED, CLEAR TEXTURED, CLEAR ACRYLIC, WHITE ACRYLIC OR BEVELED GLASS

3 LIGHT CLUSTER ALSO AVAILABLE WITH MEDIUM BASE SOCKET, OR COMPACT FLUORESCENT

CAST BALL



6617

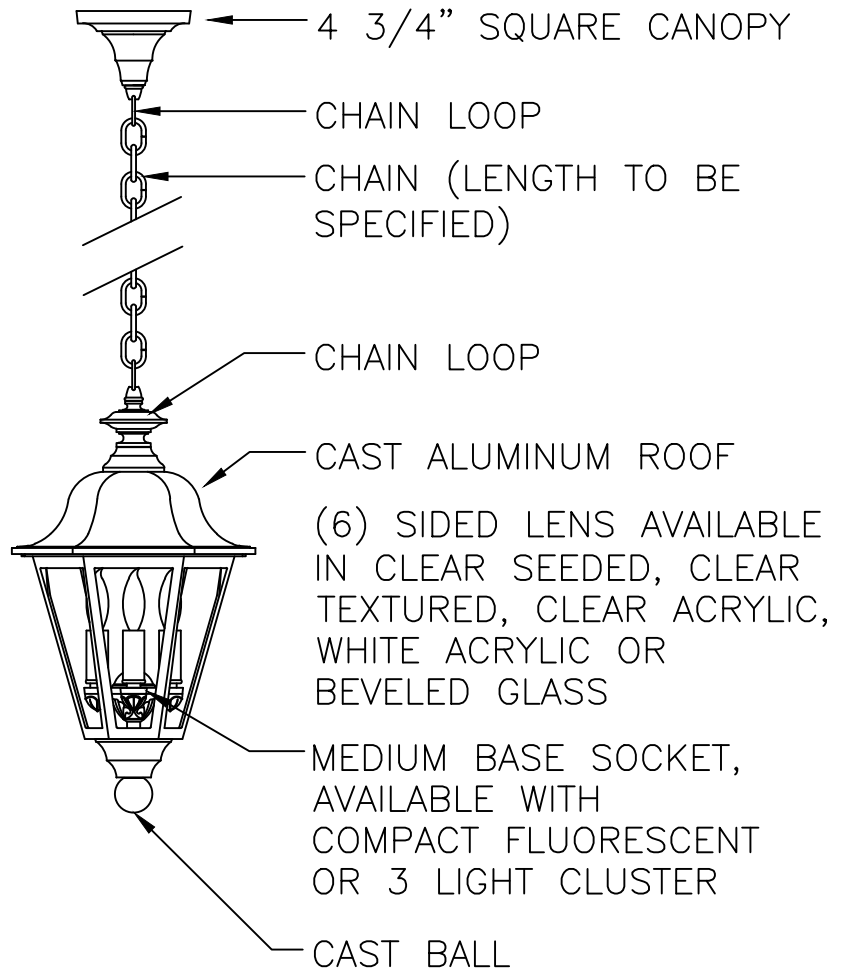
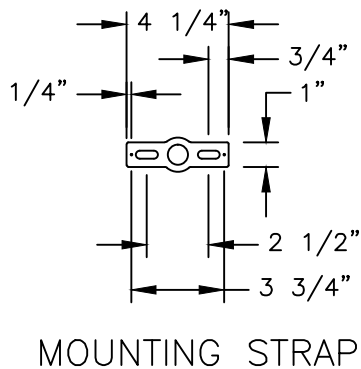
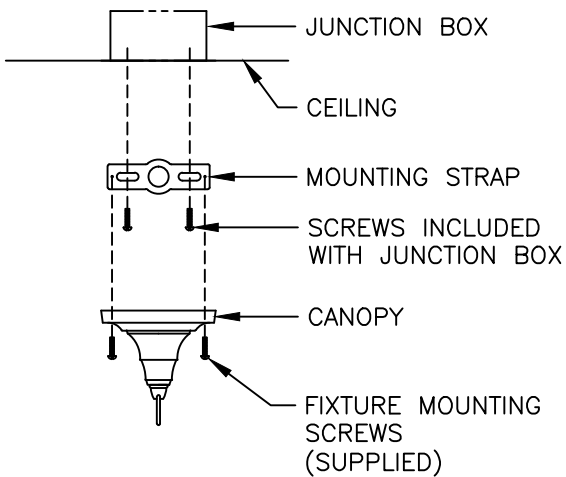
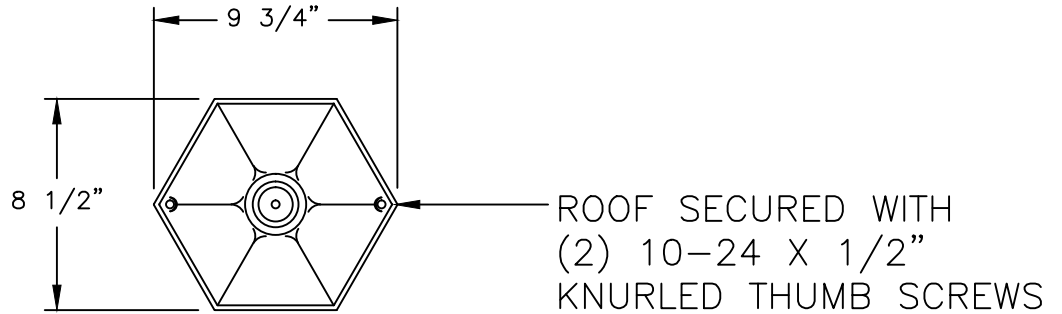
3/16"=1'

DRAWN LMG  
 DRAWN DATE SEPT 28 2011  
 DRAWING NUMBER

# 6627 HERITAGE RESIDENTIAL SERIES

ALL ELECTRICAL COMPONENTS ARE U.L. OR E.T.L. LISTED IN USA AND CANADA.

FIXTURE WILL BE PREWIRED AND TESTED.



**STERNBERG**  
SINCE 1923

6627

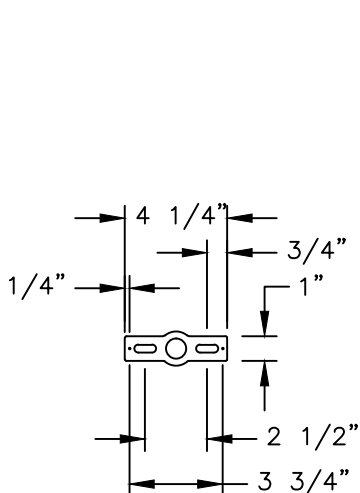
3/16"=1'	DRAWN	LMG
	DRAWN DATE	AUG 15 2011
		DRAWING NUMBER

# 6635 HERITAGE RESIDENTIAL SERIES

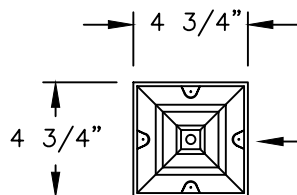
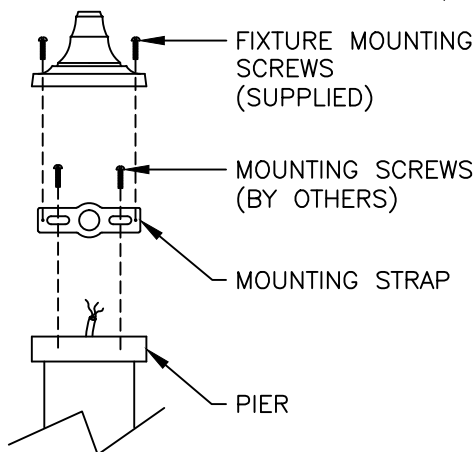
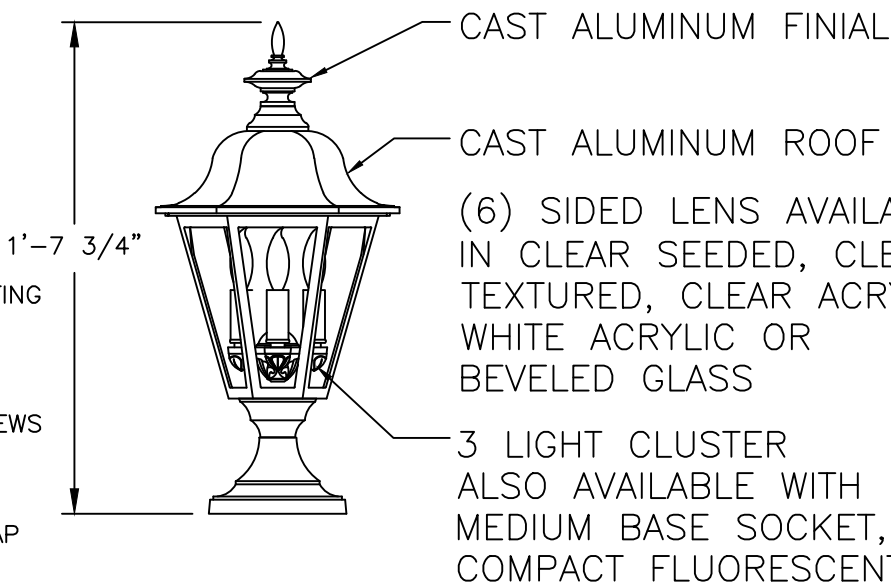
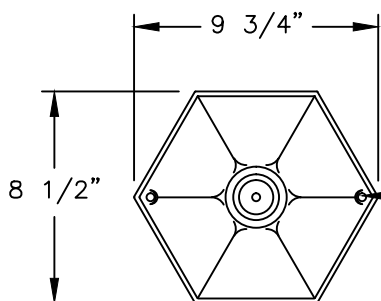
ALL ELECTRICAL COMPONENTS ARE U.L. OR E.T.L. LISTED IN USA AND CANADA.

FIXTURE WILL BE PREWIRED AND TESTED.

ROOF SECURED WITH (2) 10-24 X 1/2" KNURLED THUMB SCREWS



MOUNTING STRAP



PIER BASE SECURED WITH (2) 10-24 X 5/8" RHMS



6635

3/16"=1'	DRAWN LMG
	DRAWN DATE SEPT 28 2011
DRAWING NUMBER	