

6500 STANTON SERIES

SPECIFICATIONS

GENERAL

The ___ ft tall* decorative post shall be aluminum, one-piece construction. The 15" diameter cast aluminum fluted base shall be constructed with a ___ inch diameter aluminum shaft. The model shall be Sternberg Lighting #6500 or #6500R for candy cane poles. The pole shall be U.L. or E.T.L. listed in U.S. and Canada.

CONSTRUCTION

The base shall be designed with a bell shaped lower base and upper base having eight flutes and be made of heavy wall, 356 alloy cast aluminum. It shall have a 7/8" thick floor cast as an integral part of the base. The shaft shall be triple circumferentially welded internally and externally to the base for added strength.

___ The **smooth tapered shaft** shall be made of ASTM 6063 extruded aluminum and tempered to a T6 condition.

___ The **smooth straight shaft** shall be made of ASTM 6063 extruded aluminum and tempered to a T6 condition.

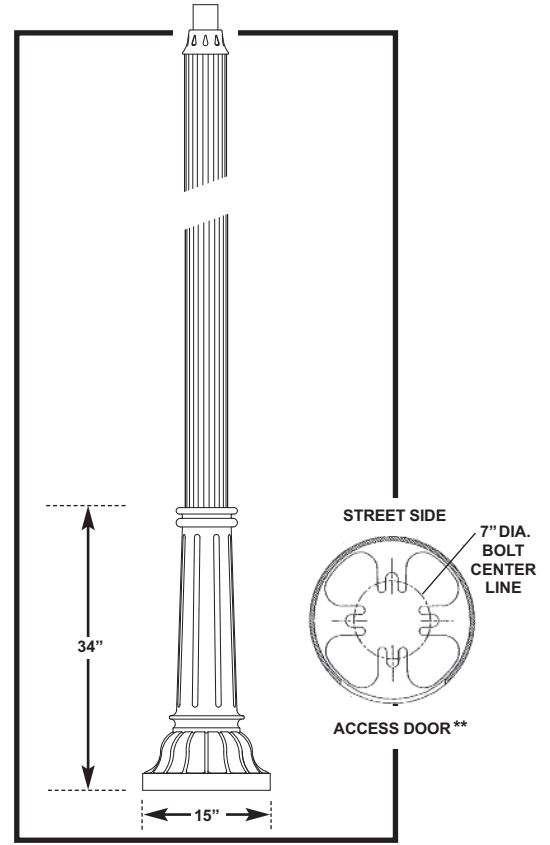
___ The **straight fluted shaft** shall be made of ASTM 6061 extruded aluminum and tempered to a T6 condition. It shall have a decorative fluted 3" O.D. tenon.

___ The **tapered fluted shaft** shall be made of heavy wall, 356 alloy cast aluminum.

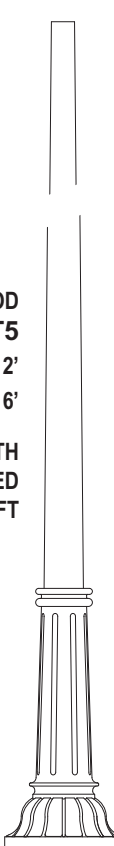
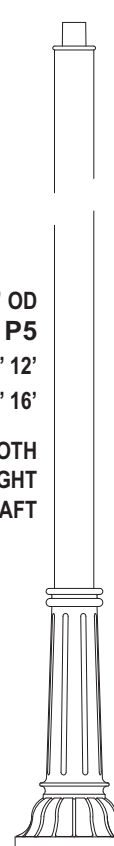


INSTALLATION

Four 3/4" diameter, hot-dipped galvanized "L" type anchor bolts shall be provided with the post for anchorage. A door shall be provided for wiring and anchor bolt access. It shall be secured with tamper proof, stainless steel hardware. Post will be provided with a grounding stud mounted on the base floor opposite the access door.

Indicate the type of shaft needed (above)



**See installation template for exact door position. Bolt circle dimensions may change on taller poles.

Cast Aluminum - Extruded Poles		15" Diameter Base x 34" High	
 <p>5"- 3" OD 65 ___ ' T5 08' 10' 12' 14' 16'</p> <p>SMOOTH TAPERED SHAFT</p>	 <p>5" OD 65 ___ ' P5 08' 10' 12' 14' 16'</p> <p>†SMOOTH STRAIGHT SHAFT</p>	 <p>5" OD 65 ___ ' FP5 08' 10' 12' 14' 16'</p> <p>†STRAIGHT FLUTED SHAFT</p>	 <p>5"- 3" OD 65 ___ ' TFP5 10' 11' 13' 15'</p> <p>TAPERED FLUTED SHAFT</p>

*For candy cane poles insert ___ AG ft (feet - above grade height). See diagram on reverse side.

† Tenon not supplied if fixture or arm slips 5" O.D.

6500 STANTON SERIES

POSTS / OPTIONS / POST CAPS

BUILDING A PART NUMBER

Straight Poles

MODEL / HEIGHT / SHAFT	POST CAP CENTER	OPTIONS	FINISH
65 12 FP5	BCC	FH	BK

Candy Cane Poles

MODEL / HEIGHT / SHAFT	HEIGHT ABOVE GRADE	OPTIONS	FINISH
65 00 RT5	12 AG		BK

Part Number Selections

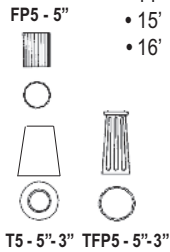
MODEL	HEIGHT	SHAFT†
• 65	• 08' • 10' • 11' • 12' • 13' • 14' • 15' • 16'	• T5: 5"-3" Tapered Smooth • P5: 5" Straight Smooth • FP5: 5" Straight Fluted • TFP5: 5"-3" Tapered Fluted*

*Available in 10', 11', 13', 15'

Part Number Selections

MODEL	HEIGHT	SHAFT†	ABOVE GRADE
• 65	• 00	• RT5: 5"-3" Tapered Smooth • RP5: 5" Straight Smooth • RFP5: 5" Straight Fluted • RTFP: 5"-3" Tapered Fluted*	• 08' AG • 10' AG • 12' AG • 13' AG • 14' AG • 15' AG • 16' AG

*Available in 12', 13', 15, 17" AG



OPTIONS AVAILABLE

- GFI
- FH
- SBA
- DBA
- SBAR
- DB Direct Burial
- DSPA
- DHPA
- PA478
- PCD
- SH
- SB
- WHK
- HB Helix Burial

POST CENTER CAP (If Required)

- BCC
- FCC
- SCC
- TFCC
- SSCC

STANDARD FINISHES*

- BKT Black Textured
 - WHT White Textured
 - PGT Park Green Textured
 - ABZT Architectural Medium Bronze Textured
 - DBT Dark Bronze Textured
- *Smooth Finishes are available upon request

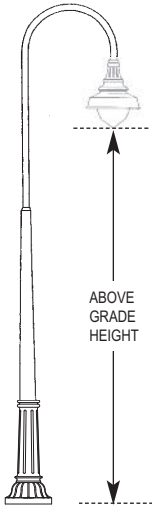
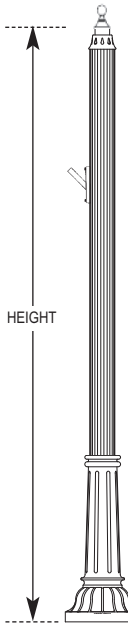
CUSTOM FINISHES

- OI Old Iron

- RT Rust
- WBR Weathered Brown
- CD Cedar
- WBK Weathered Black
- TT Two Tone

STERNBERG SELECT FINISHES

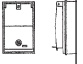
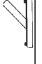


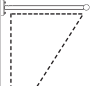


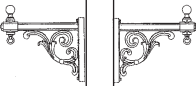




- VG Verde Green
- SI Swedish Iron
- OWGT Old World Gray Textured




† See first page for height restriction.

OPTIONS AVAILABLE

See Accessories Section for more options and information

 <p>GFI - Ground Fault Interrupter mounts in the pole</p>  <p>FH - Flag Pole Holder mounts on the pole</p>  <p>SBA - Single Banner Arm mounts on the pole</p>  <p>DBA - Double Banner Arms mount on same side of the pole</p>	 <p>SBAR - Single Banner Arm and Ring</p>  <p>DSPA - Double Stepped Planter Arms mount on either side</p>  <p>DHPA - Double Hooked Planter Arms mount on either side</p>  <p>PA478 - Decorative Planter Arms with planter rings</p>	 <p>PCD - Photo Control mounts on door on pole</p>  <p>SH - Speaker Hub for mounting speaker, floodlight or signal</p>  <p>SB - Sign Bracket mounts on pole to hold signs</p>  <p>WHK - Wreath Hook mounts on pole to hold decorations</p>
-------------------------------------------------------------------------------------------------------------------------------------------------------------------------------------------------------------------------------------------------------------------------------------------------------------------------------------------------------------------------------------------------------------------------------------------------------------------------------------------------------------------------------------------------------------------------------------------------------	-------------------------------------------------------------------------------------------------------------------------------------------------------------------------------------------------------------------------------------------------------------------------------------------------------------------------------------------------------------------------------------------------------------------------------------------------------------------------------------------------------------------------------------------------------------------------------------------------------------	----------------------------------------------------------------------------------------------------------------------------------------------------------------------------------------------------------------------------------------------------------------------------------------------------------------------------------------------------------------------------------------------------------------------------------------------------------------------------------------------------------------------------------------------------------------------------------------------------------------------------

POST CENTER CAPS (If Required)

 BCC - Ball Center Cap	 FCC - Finial Center Cap	 SCC - Spiked Center Cap	 TFCC - Tall Finial Center Cap	 SSCC - Side Spiked Center Cap
-----------------------------------------------------------------------------------------------------------------	--------------------------------------------------------------------------------------------------------------------	--------------------------------------------------------------------------------------------------------------------	--------------------------------------------------------------------------------------------------------------------------	----------------------------------------------------------------------------------------------------------------------------