

650 MILFORD SERIES

SPECIFICATIONS

GENERAL

The ___ ft tall* decorative post shall be aluminum, one-piece construction. The 15" diameter cast aluminum fluted base shall be constructed with a ___ inch diameter aluminum shaft. The model shall be Sternberg Lighting #650 or #650R for candy cane poles. The pole shall be U.L. or E.T.L. listed in U.S. and Canada.

CONSTRUCTION

The base shall be designed with a low profile bell shaped and fluted base and be made of heavy wall, 356 alloy cast aluminum. It shall have a 7/8" thick floor cast as an integral part of the base. The shaft shall be double circumferentially welded internally and externally to the base for added strength.

___ The **smooth tapered shaft** shall be made of ASTM 6063 extruded aluminum and tempered to a T6 condition.

___ The **straight smooth shaft** shall be made of ASTM 6063 extruded aluminum and tempered to a T6 condition.

___ The **straight fluted shaft** shall be made of ASTM 6061 extruded aluminum and tempered to a T6 condition. It shall have a decorative fluted 3" O.D. tenon.

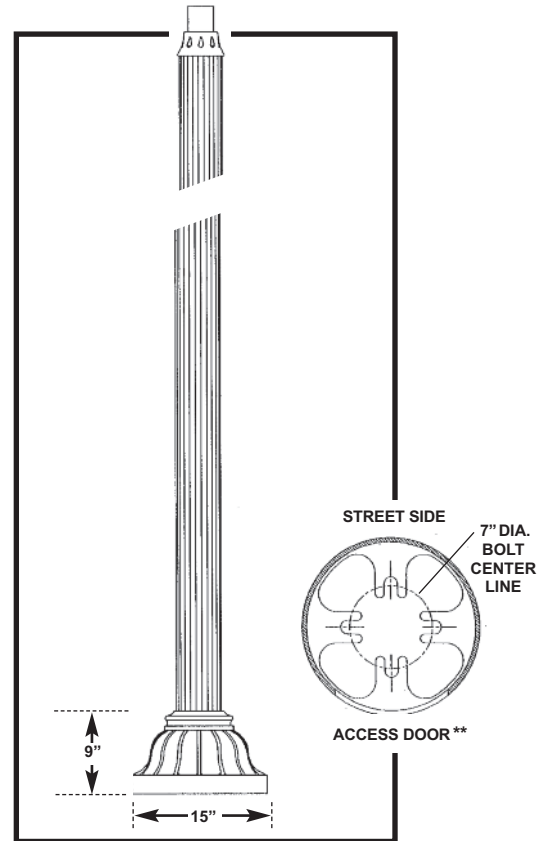
___ The **tapered fluted shaft** shall be made of heavy wall, 356 alloy cast aluminum.

___ The **tapered octagonal shaft** (not shown) shall be made of heavy wall, 356 alloy cast aluminum.

INSTALLATION

Four 3/4" diameter, hot-dipped galvanized "L" type anchor bolts shall be provided with the post for anchorage. A door shall be provided for wiring and anchor bolt access. It shall be secured with tamper proof, stainless steel hardware. Post will be provided with a grounding stud mounted on the base floor opposite the access door.

Indicate the type of shaft needed (above)



** See installation template for exact door position. Bolt circle dimensions may change on taller poles.

Cast Aluminum-Extruded Poles		15" Diameter Base x 9" High	
5"- 3" OD 650T5 _ _ ' _' 08' 10' 12' 14' 16'	6"- 3" OD 650T6 _ _ ' _' 08' 10' 12' 14' 16'	5" OD 650FP5 _ _ ' _' 08' 10' 12' 14' 16'	6"- 3" OD 650TFP6 _ _ ' _' 08' 8" 10' 8" 12' 8"
SMOOTH TAPERED SHAFT	SMOOTH TAPERED SHAFT	† STRAIGHT FLUTED SHAFT	TAPERED FLUTED SHAFT
† SMOOTH STRAIGHT SHAFT AVAILABLE SPECIFY AS: 5" OD 650P5 _ _ ' _'	† SMOOTH STRAIGHT SHAFT AVAILABLE SPECIFY AS: 6" OD 650P6 _ _ ' _'		

* For candy cane poles insert ___ AG ft (feet - above grade height). See diagram on reverse side.

† Tenon not supplied if fixture or arm slips 5" O.D.

650 MILFORD SERIES

POSTS / OPTIONS / POST CAPS

BUILDING A PART NUMBER

Straight Poles

MODEL / SHAFT / HEIGHT	POST CAP CENTER	OPTIONS	FINISH
650 FP5 12	BCC	FH	BK

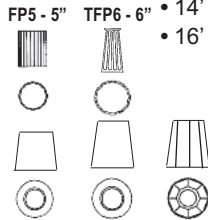
Candy Cane Poles

MODEL / SHAFT	HEIGHT ABOVE GRADE	OPTIONS	FINISH
650 RT5	12 AG		BK

Part Number Selections

MODEL	HEIGHT	SHAFT†
• 650	• 08'	• T5: 5"-3" Tapered Smooth
	• 09'	• T6: 6"-3" Tapered Smooth
	• 10'	• P5: 5" Straight Smooth
	• 11'	• P6: 6" Straight Smooth
	• 12'	• FP5: 5" Straight Fluted
	• 13'	• TFP6: 6"-3" Tapered Fluted*
	• 14'	
	• 16'	

* Available in 9' (8'8"), 11' (10'8"), 13' (12' 8")



T5 - 5"-3" T6 - 6"-3" TOP6 - 6"-3"

OPTIONS AVAILABLE

- GFI
- HB Helix
- PA478
- FH
- Burial
- PCD
- SBA
- DBA
- SH
- DB
- SBAR
- SB
- Direct
- DSPA
- SB
- Burial
- DHPA
- WHK

†See first page for height restriction.

Part Number Selections

MODEL	SHAFT†	ABOVE GRADE
• 650	• RT5: 5"-3" Tapered Smooth	• 08' AG
	• RT6: 6"-3" Tapered Smooth	• 10' AG
	• RP5: 5" Straight Smooth	• 11' AG
	• RP6: 6" Straight Smooth	• 12' AG
	• RFP5: 5" Straight Fluted	• 13' AG
	• RTFP6: 6"-3" Tapered Fluted*	• 14' AG
		• 15' AG
		• 16' AG

* Available in 11', 13', 15' AG

POST CENTER CAP (If Required)

- BCC
- FCC
- SCC
- TFCC

STANDARD FINISHES*

- BKT Black Textured
 - WHT White Textured
 - PGT Park Green Textured
 - ABZT Architectural Medium Bronze Textured
 - DBT Dark Bronze Textured
- *Smooth Finishes are available upon request

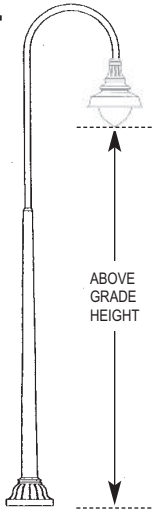
CUSTOM FINISHES

- OI Old Iron

- RT Rust
- WBR Weathered Brown
- CD Cedar
- WBK Weathered Black
- TT Two Tone

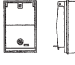


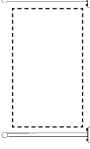
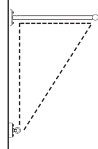

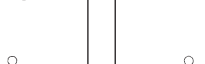

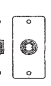



STERNBERG SELECT FINISHES

- VG Verde Green
- SI Swedish Iron
- OWGT Old World Gray Textured








OPTIONS AVAILABLE

See Accessories Section for more options and information

 <p>GFI - Ground Fault Interrupter mounts in the pole</p>  <p>FH - Flag Pole Holder mounts on the pole</p>  <p>SBA - Single Banner Arm mounts on the pole</p>  <p>DBA - Double Banner Arms mount on same side of the pole</p>	 <p>SBAR-Single Banner Arm and Ring</p>  <p>DSPA-Double Stepped Planter Arms mount on either side</p>  <p>DHPA-Double Hooked Planter Arms mount on either side</p>  <p>PA478-Decorative Planter Arms with planter rings</p>	 <p>PCD - Photo Control mounts on door on pole</p>  <p>SH - Speaker Hub for mounting speaker, floodlight or signal</p>  <p>SB - Sign Bracket mounts on pole to hold signs</p>  <p>WHK - Wreath Hook mounts on pole to hold decorations</p>
---	---	--

POST CENTER CAPS (If Required)

 BCC - Ball Center Cap	 SCC - Spiked Center Cap	 SSCC -Side Spiked Center Cap
 FCC - Finial Center Cap	 TFCC -Tall Finial Center Cap	