

5900 PROVIDENCE SERIES

SPECIFICATIONS

GENERAL

The ___ ft tall* decorative post shall be aluminum, one-piece construction. The 17 1/2" diameter cast aluminum ornamental fluted base shall be constructed with a ___ inch diameter aluminum shaft. The model shall be Sternberg Lighting #5900 or #5900R for candy cane poles. The pole shall be U.L. or E.T.L. listed in U.S. and Canada.

CONSTRUCTION

The base shall be designed with a decorative curved pedestal bottom section and transition to a eight twin flute base section and shall be made of heavy wall, 356 alloy cast aluminum and ASTM 6061 extruded aluminum. It shall have a 1" thick floor cast as an integral part of the base. The base top will have an ornamental transition to the shaft.

___ The **smooth tapered shaft** shall be made of ASTM 6063 extruded aluminum and tempered to a T6 condition.

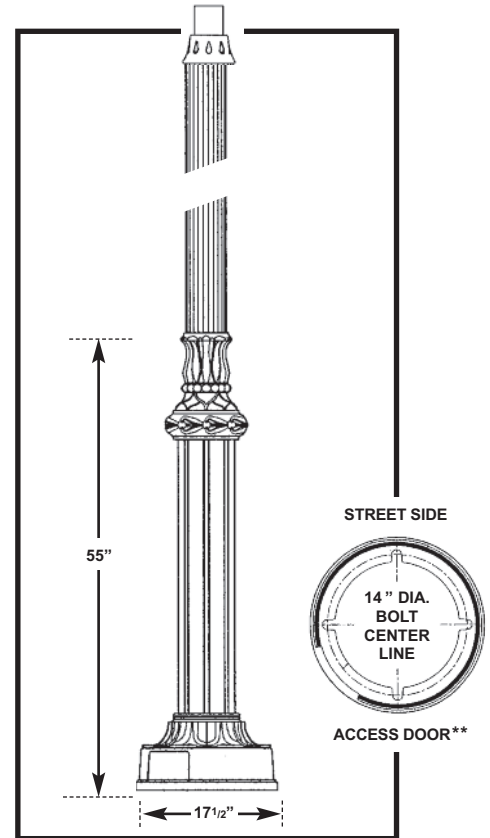
___ The **smooth straight shaft** shall be made of ASTM 6063 extruded aluminum and tempered to a T6 condition.

___ The **straight fluted shaft** shall be made of ASTM 6061 extruded aluminum and tempered to a T6 condition. It shall have a decorative fluted 3" O.D. tenon. The shaft shall be circumferentially welded to the base.

INSTALLATION

Four 3/4" diameter, hot-dipped galvanized "L" type anchor bolts shall be provided with the post for anchorage. A door shall be provided for wiring and anchor bolt access. It shall be secured with tamper proof, stainless steel hardware. Post will be provided with a grounding stud mounted on the base floor opposite the access door.

Indicate the type of shaft needed (above)



**See installation template for exact door position. Bolt circle dimensions may change on taller poles.

Cast Aluminum - Extruded Poles		17 1/2" Diameter Base x 55" High	
5"- 3" OD 59 __ ' T5 08' 10' 12' 14' 16' 18'	5"- 3" OD 59 __ ' P5 08' 10' 12' 14' 16' 18'	5" OD 59 __ ' FP5 08' 10' 12' 14' 16' 18'	
SMOOTH TAPERED SHAFT	SMOOTH SHAFT	† STRAIGHT FLUTED SHAFT	
† SMOOTH STRAIGHT SHAFT AVAILABLE	† SMOOTH STRAIGHT SHAFT AVAILABLE		

* For candy cane poles insert ___ AG ft (feet - above grade height). See diagram on reverse side.

† Tenon not supplied if fixture or arm slips 5" O.D.

5900 PROVIDENCE SERIES

POSTS / OPTIONS / POST CAPS

BUILDING A PART NUMBER

Straight Poles

MODEL / HEIGHT / SHAFT	POST CAP	OPTIONS	FINISH
59 12 FP5	BCC	FH	BK

Candy Cane Poles

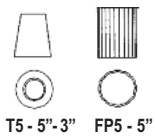
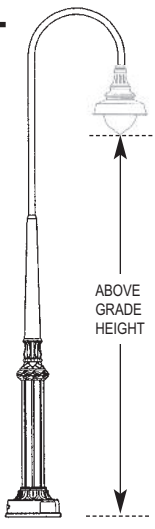
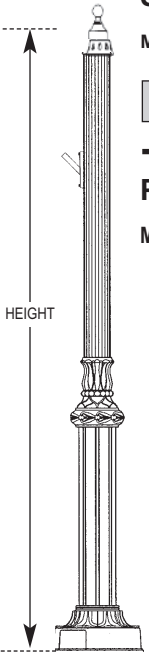
MODEL / HEIGHT / SHAFT	HEIGHT ABOVE GRADE	OPTIONS	FINISH
59 00 RT5	12AG		BK

Part Number Selections

MODEL	HEIGHT	SHAFT†
• 59	• 08'	• T5: 5"-3" Tapered Smooth
	• 10'	• P5: 5" Straight Smooth
	• 12'	• FP5: 5" Straight Fluted
	• 14'	
	• 16'	
	• 18'	

Part Number Selections

MODEL	HEIGHT	SHAFT†	ABOVE GRADE
• 59	• 00	• RT5: 5"-3" Tapered Smooth	• 10' AG
		• RP5: 5" Straight Smooth	• 12' AG
		• RFP5: 5" Straight Fluted	• 14' AG
			• 16' AG
			• 18' AG



- OPTIONS AVAILABLE**
- GFI
 - GFB
 - FH
 - SBA
 - DBA
 - DB Direct Burial
 - SBAR
 - DSPA
 - DHPA
 - PA478
 - PCD
 - SH
 - SB
 - WHK
 - HB Helix Burial

- POST CENTER CAP (If Required)**
- BCC
 - FCC
 - SCC
 - TFCC
 - SSCC
- STANDARD FINISHES***
- BKT Black Textured
 - WHT White Textured
 - PGT Park Green Textured
 - ABZT Architectural Medium Bronze Textured
 - DBT Dark Bronze Textured
- CUSTOM FINISHES**
- 01 Old Iron

- RT Rust
 - WBR Weathered Brown
 - CD Cedar
 - WBK Weathered Black
 - TT Two Tone
- STERNBERG SELECT FINISHES**
- VG Verde Green
 - SI Swedish Iron
 - OWGT Old World Gray Textured

† See first page for height restriction.

OPTIONS AVAILABLE

See Accessories Section for more options and information

	GFI - Ground Fault Interrupter mounts in the pole		SBAR -Single Banner Arm and Ring		PCD - Photo Control mounts on door on pole
	GFB - Ground Fault Breaker <i>inside</i> base		DSPA -Double Stepped Planter Arms mount on either side		SH - Speaker Hub for mounting speaker, floodlight or signal
	FH - Flag Pole Holder mounts on the pole		DHPA -Double Hooked Planter Arms mount on either side		SB - Sign Bracket mounts on pole to hold signs
	SBA - Single Banner Arm mounts on the pole		PA478 -Decorative Planter Arms with planter rings		WHK - Wreath Hook mounts on pole to hold decorations
	DBA - Double Banner Arms mount on same side of the pole				

POST CENTER CAPS (If Required)

	BCC - Ball Center Cap		FCC - Finial Center Cap		SCC - Spiked Center Cap		TFCC - Tall Finial Center Cap		SSCC - Side Spiked Center Cap
--	------------------------------	--	--------------------------------	--	--------------------------------	--	--------------------------------------	--	--------------------------------------